



FURON[®]
Pure Performance

Furon[®] 2" Check Valve

Media Actuated (2" Orifice)

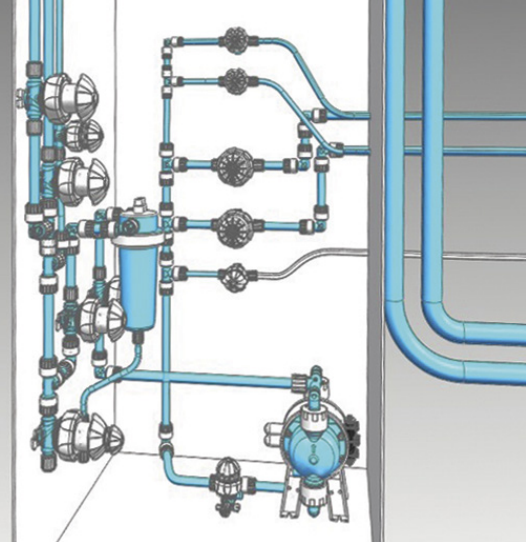
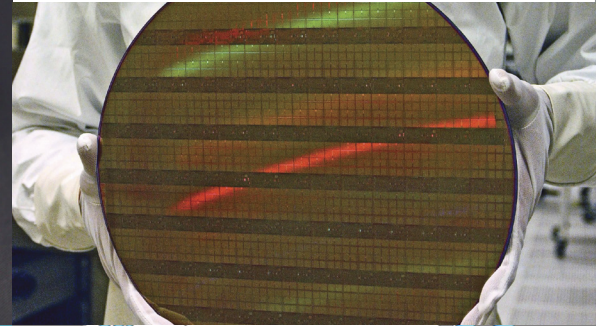
Description

Furon 2" Check Valves offer a reliable solution to preventing reverse flow in high purity fluid handling applications. Constructed from high-purity fluoropolymers and featuring a 100% PTFE spring, Furon 2" Check Valves are designed to crack at pressures less than 2 PSIG (0.14 bar) and are rated for media pressures up to 80 PSIG (5.5 bar).

Patented O-ring free sealing and fluoropolymer spring design reduces the potential for leakage and media contamination and increases product life. The Furon 2" Check Valve is engineered to operate in any orientation, and is suitable for use in ultra-pure or highly corrosive media.

Applications

- To prevent drain-down of chemical delivery lines
- To prevent backflow in process delivery manifolds
- Transfer of aggressive or ultrapure chemicals commonly used in the semiconductor and chemical processing industries
- Suitable for use in abrasive slurry



Features and Benefits

- 100% high-purity PFA construction
- Metal and O-Ring free design
- <2 PSIG (0.14 bar) cracking pressure
- Zero dead volume body seal with no wetted thread areas
- High-purity PTFE spring

ASK AN ENGINEER


SAINT-GOBAIN

Furon 2" Check Valve

Part Number	End Connection	Orifice (in)	Port Size (in)	A	B
LCV7-3224-NM	FuseBond™	2	1.5	6.8" (172.72 mm)	1.90" (48.26 mm)
LCV7-3232-NM	FuseBond™	2	2	7" (177.80 mm)	2.38" (60.33 mm)

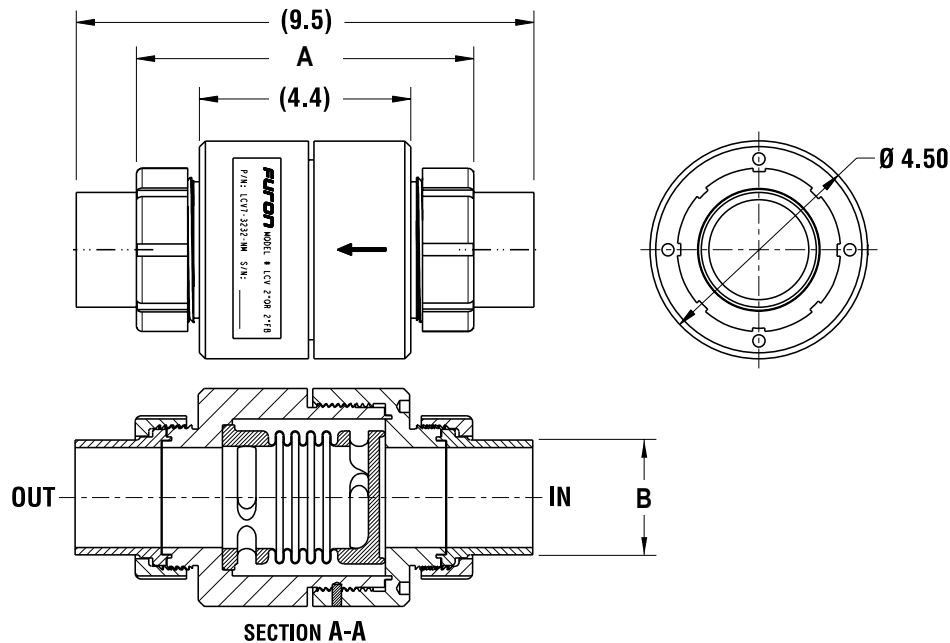
Technical Specifications

Max. Operating Pressure	80 psig (5.5 bar) @ Room Temperature
Cracking Pressure	<2 psig (0.14 bar)
Min. Sealing Back Pressure	<10 psig (0.7 bar)
C _v Flow Factor	40
Max. Operating Temperature	Ambient: 149°F (65°C) Media: 203°F (95°C)
Body	PTFE
Spring	PTFE
Mounting Position	Any Orientation

Options

- Other end connections not listed, including **Nippon Pillar Super 300®**

[Please consult factory](#) for further details >>



Saint-Gobain Performance Plastics
 7301 Orangewood Avenue
 Garden Grove, CA 92841
 1-800-833-5661
 Tel: (714) 630-5818
 Fax: (714) 688-2614

www.furon.com

NOTE: This document is intended to provide information about the product to enable you to consider whether generally the Product meets your application need and is not intended to provide product specification. This document should not be considered a Product warranty or guaranty. To the extent this document mentions any tests done by Saint-Gobain, such tests are done under controlled laboratory circumstances and hence other factors in your use and application may impact such values. Saint-Gobain strongly recommends that you conduct practical tests simulating the conditions of your application to ensure that the product meets your requirements for your specific application.

Furon®, FlareGrip® and FuseBond™ are registered trademarks of Saint-Gobain Performance Plastics. Nippon Pillar Super 300® is a registered trademark of Nippon Pillar Packing Co.

WARRANTY: Saint-Gobain warrants that the Product will meet specifications at the time of delivery and honor such warranty claims for a period of 18 months after delivery. In the event that you are a distributor purchasing Saint-Gobain Product, any change to specification while in your control as a result of storage conditions or otherwise may cause the above warranty to be voided. THIS IS THE EXCLUSIVE WARRANTY AND IS EXPRESSLY IN LIEU OF ANY AND ALL OTHER OBLIGATIONS, GUARANTEES, WARRANTIES AND REPRESENTATIONS. SAINT-GOBAIN DISCLAIMS ALL IMPLIED WARRANTIES OF MERCHANTABILITY AND FITNESS FOR A PARTICULAR PURPOSE.