



FURON®
Pure Performance

Furon® CDV Valve

Manually Actuated, 3-Way Multi-Turn Valve (1/2" Orifice)

Description

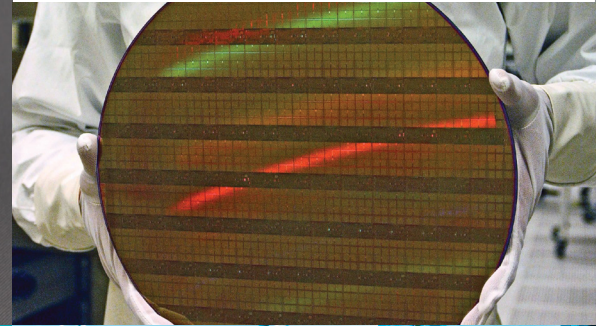
Manually actuated, 3-way, multi-turn diaphragm valve for regulation of flow.

Furon CDV Valves are engineered to handle the most aggressive and corrosive ultra-high purity media while maintaining the highest level of media purity. Featuring a compact footprint with common port height among all configurations, Furon CDV Valves allow for ease of installation and optimum use of precious space. Additionally, Furon CDV Valves feature flow paths specially designed to minimize entrapment of liquids within the valve.

Applications

Furon CDV Valves are ideal for use in the semiconductor industry, or other applications requiring high purity and/or superior chemical resistance.

- Designed for use in ultrapure deionized water and aggressive chemical applications
- Suitable for use in abrasive slurry
- Market applications include Semiconductor, Flat Panel, Photovoltaic and Chemical Processing



Features and Benefits

- High purity, virgin PTFE wetted flow path and diaphragm
- Visual position indication with provision for fiber optic position sensor
- High back-pressure capability
- Uniform modular design ideally suited for customized manifold configurations
- Panel mount option standard
- CDV valve designs have been successfully tested for more than 1 million cycles

ASK AN ENGINEER


SAINT-GOBAIN

Furon CDV Valve - Manually Actuated, 3-Way Multi-Turn

Part Number	End Connection	Orifice (in)	Port Size (in)	A
CDV3-F88-MT	FlareGrip® II	1/2	1/2	4.5" (114.3 mm)
CDV3-F812-MT	FlareGrip® II	1/2	3/4	4.8" (121.9 mm)
CDV3-S30088-MT	Nippon Pillar Super 300®	1/2	1/2	Please contact us
CDV3-S300812-MT	Nippon Pillar Super 300®	1/2	3/4	Please contact us

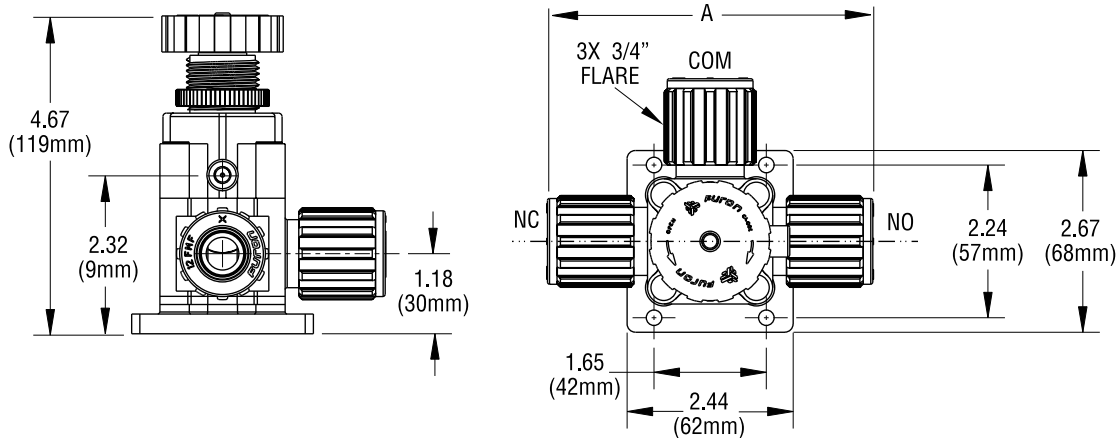
Ordering & Technical Specifications

Operating Pressure	80 psig (5.5 bar)
Back Pressure	80 psig (5.5 bar)
Flow	C _v 3.0
Max. Operating Temperature	Ambient: 122°F (50°C) Media: 203°F (95°C)
Body	PTFE
Diaphragm	PTFE
Actuator Housing	Polypropylene

HCl more than 1.1 million cycles
HF more than 1.8 million cycles

Options

- PFA Flare nuts (add -3)
- Other end connection types available. [Please consult factory](#) for:
 - FNPT
 - Pipe
 - Tube End
 - Others not listed
- Custom manifolds
- Alternative flow paths



Saint-Gobain Performance Plastics
7301 Orangewood Avenue
Garden Grove, CA 92841
1-800-833-5661
Tel: (714) 630-5818
Fax: (714) 688-2614

www.furon.com

NOTE: The data and details given in this document are correct and up to date. This document is intended to provide information about the product and possible applications. This document is not the product specification and does not provide specific features, nor does it guarantee product performance in specific applications. Saint-Gobain cannot anticipate or control the conditions of the field and for this reason strongly recommends that practical tests are conducted to ensure that the product meets the requirements of a specific application.

Furon®, FlareGrip® and FuseBond™ are registered trademarks of Saint-Gobain Performance Plastics. Nippon Pillar Super 300® is a registered trademark of Nippon Pillar Packing Co. **IMPORTANT:** It is the user's responsibility to ensure the suitability and safety of Saint-Gobain Performance Plastics products for all intended uses and that the components to be used comply with all applicable regulatory requirements. Saint-Gobain Performance Plastics assumes no responsibility for any product failures that occur due to misuse arising out of the design, fabrication or application of the products into which they are incorporated.

WARRANTY: If Product is Purchased by Customer for use: Saint-Gobain warranties that the Product Specifications is for a period of 18 months, provided Customer can establish that the Product did not conform to Specification at time of delivery and the non-conformance of the Product to Specification has not been caused as a result of any action or inaction by the Customer or Customer's storage conditions. If Product is Purchased by Distributor or Reseller: Saint-Gobain warranties that the Product Specifications for a period of 18 months, provided Distributor can establish that the Product did not conform to Specification at time of delivery and the non-conformance of the Product to Specification has not been caused as a result of any action or inaction by the Distributor/Reseller or its or because of storage conditions under which the Product is stored at Distributor/Reseller's and/or Customer/End User's storage facility. THIS IS THE EXCLUSIVE WARRANTY AND IS EXPRESSLY IN LIEU OF ANY AND ALL OTHER OBLIGATIONS, GUARANTEES, WARRANTIES AND REPRESENTATIONS. SAINT-GOBAIN PERFORMANCE PLASTICS DISCLAIMS ALL IMPLIED WARRANTIES OF MERCHANTABILITY AND FITNESS FOR A PARTICULAR PURPOSE.