



FURON[®] UPRP PRECISION PRESSURE REGULATOR

PNEUMATIC
1/4" ORIFICE

Furon UPRP Precision Pressure Regulators are engineered to control downstream fluid pressures with the utmost precision. A large sensing dome allows for a 1:1 ratio between the pilot air pressure and the desired output pressure. For example, setting the pilot air pressure to 40 psi will regulate the fluid output pressure to approximately 40 psi. Additionally, our unique diaphragm design assures that the regulators will not “chatter” at the lower end of the pressure range settings, a behavior common to many types of competing pressure regulators.

Wetted flow path is 100% PTFE and PFA and the regulator is 100% metal-free and elastomer-free, making the UPRP Pressure Regulators an ideal choice for Semiconductor applications, or any other application requiring high purity and/or superior chemical resistance.

APPLICATIONS

- Precise regulation of pressures in aggressive or ultrapure chemical or DI water lines
- Protecting sensitive instrumentation from pressure spikes
- Preventing foreign particles from being forced through filtration membranes due to unstable pressures

FEATURES AND BENEFITS

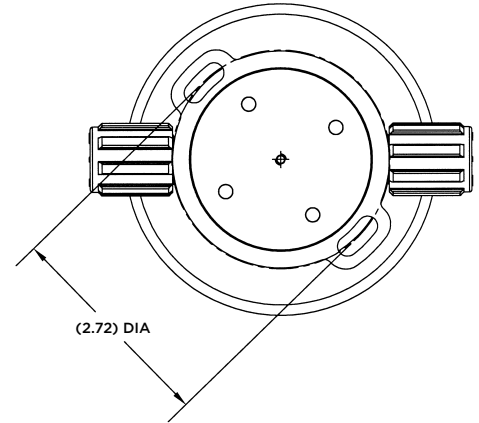
- Precise, chatter-free control of downstream fluid pressure
- Handles fluid temperatures up to 194°F (90°C)
- All virgin PTFE/FluoroloyT[®] and PFA wetted flow path
- Non-metallic external surfaces
- Secondary diaphragm protects air system
- PTFE isolation bellows
- Integral leak port

Furon® UPRP Precision Pressure Regulator 1/4" - Pneumatic

SPECIFICATIONS

Description	End Connection Type	Orifice		End Connection Size		A			
		in	mm	in	mm	in	mm		
UPRP-744-P	FuseBond™	1/4	6.4	1/4	6.4	4.9	124.5		
UPRP-F44-P-3	FlareGrip® II					4.5	114.3		
UPRP-S30044-P	Nippon Pillar Super 300®			3/8	9.5	4.75	120.7		
UPRP-F46-P-3	FlareGrip® II					1/2	12.7	5.35	135.9
UPRP-S30046-P	Nippon Pillar Super 300®								
UPRP-F48-P-3	FlareGrip® II								
UPRP-S30048-P	Nippon Pillar Super 300®								

* Part number of the standard configuration for the product described in the description column.



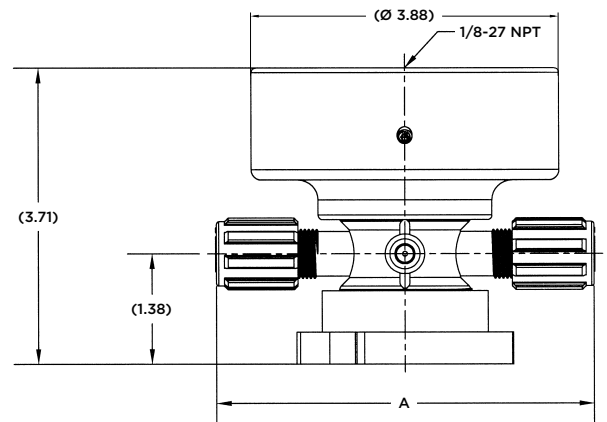
TECHNICAL SPECIFICATIONS

Max. Operating Pressure	90 psig (6.2 bar)
Pressure Regulation Range*	110 - 60 psig (0.7 - 4.1 bar)
Flow Factor	C _v 0.8
Max. Operating Temperature	Ambient: 122°F (50°C) Media: 194°F (90°C)
Body	PTFE
Diaphragm	Modified PTFE
Top Cap (Air Actuator)	Polypropylene

OPTIONS

- High temperature version (320°F / 160°C)
- Other end connections not listed

Please contact us for further details



Saint-Gobain Performance Plastics

China (+86) 400 888 0198
sales.PPSCN@saint-gobain.com

Europe (+33) 3 85 20 27 00
quotes-clm@saint-gobain.com

India (+91) 76208 22999
pplindia.hc@saint-gobain.com

Japan (+81) 3 6256 9703
ls-japan@saint-gobain.com

Korea (+82) 2 6098 0180
LS-Korea@saint-gobain.com

Southeast Asia (+66) 38 667 800
cs.sgplsea@saint-gobain.com

Taiwan (+886) 2 2503 4201
Taiwan.ppl@saint-gobain.com

United States (+1) 800-833-5661
gardengrovequoteteam@saint-gobain.com

All Other Regions
www.furon.com

NOTE: This document is intended to provide information about the product to enable you to consider whether generally the Product meets your application need and is not intended to provide product specification. This document should not be considered a Product warranty or guaranty. To the extent this document mentions any tests done by Saint-Gobain, such tests are done under controlled laboratory circumstances and hence other factors in your use and application may impact such values. Saint-Gobain strongly recommends that you conduct practical tests simulating the conditions of your application to ensure that the product meets your requirements for your specific application

Furon®, FlareGrip®, Fluoroloy® and FuseBond™ are registered trademarks of Saint-Gobain Performance Plastics. Nippon Pillar Super 300® is a registered trademark of Nippon Pillar Packing Co.

WARRANTY: Saint-Gobain warranties that the Product will meet specifications at the time of delivery and honor such warranty claims for a period of 18 months after delivery. In the event that you are a distributor purchasing Saint-Gobain Product, any change to specification while in your control as a result of storage conditions or otherwise may cause the above warranty to be voided. THIS IS THE EXCLUSIVE WARRANTY AND IS EXPRESSLY IN LIEU OF ANY AND ALL OTHER OBLIGATIONS, GUARANTEES, WARRANTIES AND REPRESENTATIONS. SAINT-GOBAIN DISCLAIMS ALL IMPLIED WARRANTIES OF MERCHANTABILITY AND FITNESS FOR A PARTICULAR PURPOSE.