



FURON[®] UPRM PRESSURE REGULATOR

PNEUMATIC
1/4 & 1/2 ORIFICE

Furon UPRM Pressure Regulators are engineered to accurately maintain predetermined output pressures in fluid lines. By adjusting the pilot air pressure, the end user can control the desired fluid output pressure. Our regulator contains no exposed metallic parts. A modified PTFE isolation diaphragm protects the actuator components from the process media, assuring no possibility of contamination from metal elements. Manual UPRM Pressure Regulators come standard with a panel mount option, allowing easy installation on an instrumentation or control panel.

Constructed from 100% high-purity PFA and PTFE wetted parts, Furon UPRM Pressure Regulators are suitable for use in ultrapure, harsh, or aggressive chemicals commonly found in the Semiconductor industry, or any other applications requiring high purity and/or high chemical resistance.

APPLICATIONS

- Regulation of pressures in aggressive or ultrapure chemical or DI water lines
- Protecting sensitive instrumentation from pressure spikes
- Preventing foreign particles from being forced through filtration membranes due to unstable pressures

FEATURES AND BENEFITS

- Precise construction maintains predetermined input pressure
- Handles fluid temperatures up to 194°F (90°C)
- All fluoropolymer wetted surfaces
- Non-metallic external surfaces
- Integral leak port detection

Furon® UPRM Pressure Regulator Pneumatic

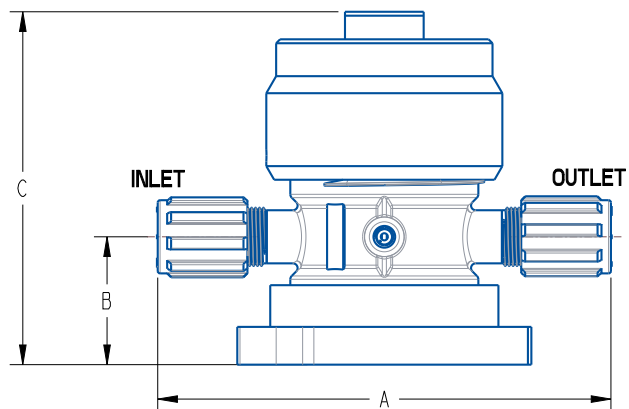
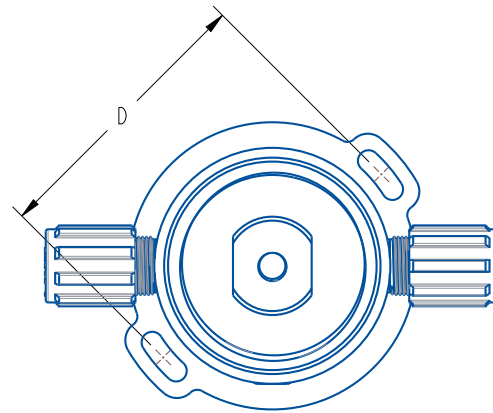
SPECIFICATIONS

Part Number	End Connection Type	Orifice		End Connection Size		A		B		C		D									
		in	mm	in	mm	in	mm	in	mm	in	mm	in	mm								
UPRM-144-P	FNPT	1/4	6.35	1/4	6.35	3.00	76.2	1.45	36.8	3.83	97.3	2.72	69.1								
UPRM-744-P	FuseBond™					4.90	124.5														
UPRM-F44-P-3	FlareGrip® II					4.38	111.3														
UPRM-S30044-P	Nippon Pillar Super 300®			Please contact us																	
UPRM-F46-P-3	FlareGrip® II			3/8	9.52	1/2	12.7							4.72	119.9						
UPRM-S30046-P	Nippon Pillar Super 300®			Please contact us																	
UPRM-F48-P-3	FlareGrip® II			5.30	134.6																
UPRM-S30048-P	Nippon Pillar Super 300®			Please contact us																	
UPRM-188-P	FNPT			1/2	12.7	1/2	12.7							3.60	91.4	1.65	41.9	4.50	114.3	3.62	92.0
UPRM-788-P	FuseBond™													5.60	142.2						
UPRM-F88-P-3	FlareGrip® II	Please contact us																			
UPRM-S30088-P	Nippon Pillar Super 300®	5.9	149.9																		
UPRM-F812-P-3	FlareGrip® II	Please contact us																			
UPRM-S300812-P	Nippon Pillar Super 300®	3/4	19.05			Please contact us															

OPTIONS

- Other end connections:
 - Tube Ends
 - Grab Seal™
 - Others not listed

[Please contact us](#) for further details



Furon® UPRM Pressure Regulator Pneumatic

TECHNICAL SPECIFICATIONS

Max. Operating Pressure	90 psig (6.2 bar)
Pressure Regulation Range	10 - 60 psig (0.7 - 4.1 bar)
Flow Factor	C _v 3.2 (with 1/2" flare connections)
Max. Operating Temperature	Ambient: 122°F (50°C) Media: 194°F (90°C)
Body	PTFE
Diaphragm	Modified PTFE
Top Cap (Air Actuator)	Polypropylene



Saint-Gobain Performance Plastics

China (+86) 400 888 0198
sales.PPSCN@saint-gobain.com

Europe (+33) 3 85 20 27 00
quotes-clm@saint-gobain.com

India (+91) 76208 22999
pplindia.hc@saint-gobain.com

Japan (+81) 3 6256 9703
ls-japan@saint-gobain.com

Korea (+82) 2 6098 0180
LS-Korea@saint-gobain.com

Southeast Asia (+66) 38 667 800
cs.sgplsea@saint-gobain.com

Taiwan (+886) 2 2503 4201
Taiwan.ppl@saint-gobain.com

United States (+1) 800-833-5661
gardengrovequoteteam@saint-gobain.com

All Other Regions
www.furon.com

NOTE: This document is intended to provide information about the product to enable you to consider whether generally the Product meets your application need and is not intended to provide product specification. This document should not be considered a Product warranty or guaranty. To the extent this document mentions any tests done by Saint-Gobain, such tests are done under controlled laboratory circumstances and hence other factors in your use and application may impact such values. Saint-Gobain strongly recommends that you conduct practical tests simulating the conditions of your application to ensure that the product meets your requirements for your specific application

Furon®, FlareGrip®, Grab Seal™ and FuseBond™ are registered trademarks of Saint-Gobain Performance Plastics.
Nippon Pillar Super 300® is a registered trademark of Nippon Pillar Packing Co.

WARRANTY: Saint-Gobain warrants that the Product will meet specifications at the time of delivery and honor such warranty claims for a period of 18 months after delivery. In the event that you are a distributor purchasing Saint-Gobain Product, any change to specification while in your control as a result of storage conditions or otherwise may cause the above warranty to be voided. THIS IS THE EXCLUSIVE WARRANTY AND IS EXPRESSLY IN LIEU OF ANY AND ALL OTHER OBLIGATIONS, GUARANTEES, WARRANTIES AND REPRESENTATIONS. SAINT-GOBAIN DISCLAIMS ALL IMPLIED WARRANTIES OF MERCHANTABILITY AND FITNESS FOR A PARTICULAR PURPOSE.