



## FURON<sup>®</sup> UPBM PRESSURE REGULATOR

PNEUMATIC  
1/4 & 1/2 ORIFICE

Furon UPBM Back Pressure Regulators are engineered to accurately maintain predetermined liquid input pressure (pressure upstream from the regulator). By adjusting the pilot air pressure, the end user can control the pressure in the liquid line upstream from the regulator. Our regulator contains no exposed metallic parts. A modified PTFE isolation diaphragm protects the actuator components from the process media, assuring no possibility of contamination from metal elements.

Constructed from 100% high-purity PFA and PTFE wetted parts, Furon UPBM Pressure Regulators are suitable for use in ultrapure, harsh, or aggressive chemicals commonly found in the Semiconductor industry, or any other applications requiring high purity and/or high chemical resistance.

### APPLICATIONS

- Regulation of pressures in aggressive or ultrapure chemical or DI water lines
- Protecting sensitive instrumentation from pressure spikes

### FEATURES AND BENEFITS

- Precise construction maintains predetermined input pressure
- Handles fluid temperatures up to 194°F (90°C)
- All fluoropolymer wetted surfaces
- Non-metallic external surfaces
- Integral leak port detection

# Furon® UPBM Pressure Regulator Pneumatic

## SPECIFICATIONS

Description	End Connection Type	Orifice		End Connection Size		A		B		C		D	
		in	mm	in	mm	in	mm	in	mm	in	mm	in	mm
UPBM-144-P	FNPT					3.00	76.20						
UPBM-744-P	FuseBond™			1/4	6.35	4.90	124.5						
UPBM-F44-P	FlareGrip® II	1/4	6.35			4.38	111.25	1.45	36.83	3.83	97.3	2.72	69.1
UPBM-F46-P	FlareGrip® II			3/8	9.52	4.72	119.89						
UPBM-F48-P	FlareGrip® II					5.30	134.62						
UPBM-188-P	FNPT			1/2	12.7	3.60	91.44						
UPBM-788-P	FuseBond™					5.60	142.24						
UPBM-F88-P	FlareGrip® II	1/2	12.7			5.82	147.83	1.65	41.91	4.50	114.3	3.62	92.0
UPBM-F812-P	FlareGrip® II			3/4	19.05	6.30	160.02						
UPBM-S30044-P	Nippon Pillar Super 300®			1/4	6.35								
UPBM-S30046-P	Nippon Pillar Super 300®	1/4	6.35	3/8	9.52			1.45	36.83	3.83	97.3	2.72	69.1
UPBM-S30048-P	Nippon Pillar Super 300®			1/2	12.7								
UPBM-S30088-P	Nippon Pillar Super 300®	1/2	12.7					1.65	41.91	4.50	114.3	3.62	92.0
UPBM-S300812-P	Nippon Pillar Super 300®			3/4	19.05								

A, B, C, D dimensions corresponding drawing on following page

## OPTIONS

- High temperature version (320°F / 160°C)
- Other end connections:
  - Nippon Pillar Super 300®
  - Tube Ends
  - Others not listed

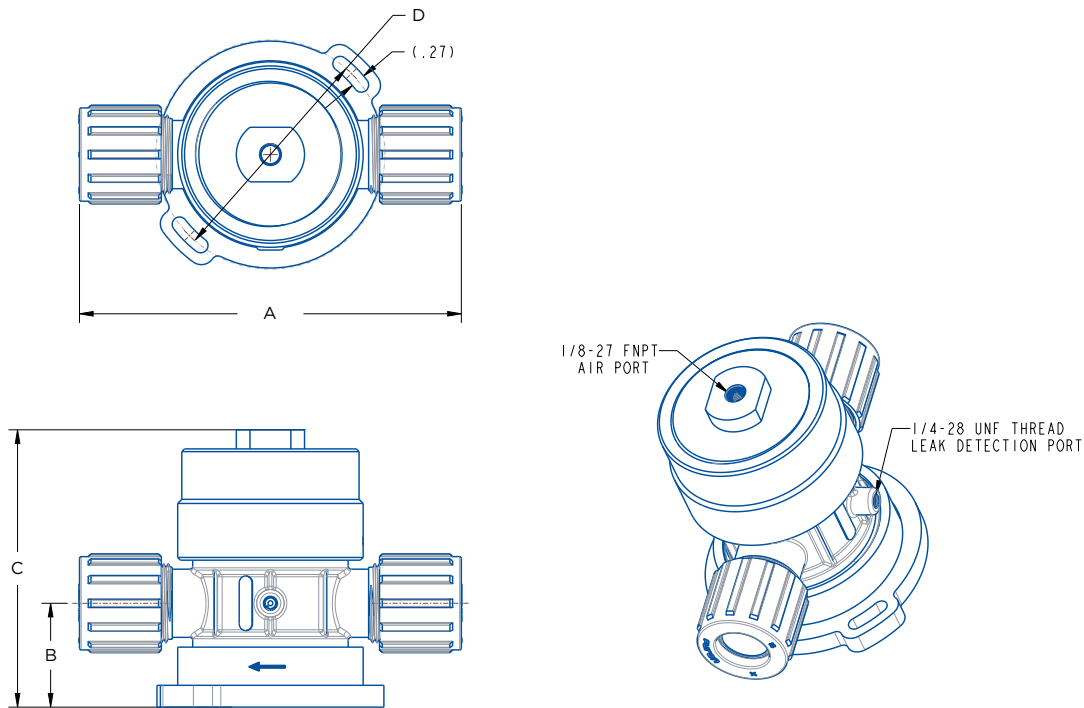
[Please contact us](#) for further details

## TECHNICAL SPECIFICATIONS

Max. Operating Pressure	90 psig (6.2 bar)
Pressure Regulation Range*	10 - 60 psig (0.7 - 4.1 bar)
Max. Operating Temperature	Ambient: 122°F (50°C) Media: 194°F (90°C)
Body	PTFE / PFA
Diaphragm	Modified PTFE
Top Cap (Air Actuator)	Polypropylene

# Furon® UPBM Pressure Regulator Pneumatic

## DRAWINGS



### Saint-Gobain Performance Plastics

**China** (+8621) 5472 1568  
Sales.PPLCN@saint-gobain.com

**Europe** (+33) 3 85 20 27 00  
quotes-clm@saint-gobain.com

**India** (+91) 80 46978888  
pplindia.hc@saint-gobain.com

**Japan** (+81) 3 6256 9703  
ls-japan@saint-gobain.com

**Korea** (+82) 2 6098 0180  
LS-Korea@saint-gobain.com

**Southeast Asia** (+66) 38 667 800  
cs.sgplsea@saint-gobain.com

**Taiwan** (+886) 2 2503 4201  
Taiwan.ppl@saint-gobain.com

**United States** (+1) 800-833-5661  
gardengrovequoteteam@saint-gobain.com

**All Other Regions**  
www.furon.com

**NOTE:** This document is intended to provide information about the product to enable you to consider whether generally the Product meets your application need and is not intended to provide product specification. This document should not be considered a Product warranty or guaranty. To the extent this document mentions any tests done by Saint-Gobain, such tests are done under controlled laboratory circumstances and hence other factors in your use and application may impact such values. Saint-Gobain strongly recommends that you conduct practical tests simulating the conditions of your application to ensure that the product meets your requirements for your specific application

Furon®, FlareGrip® and FuseBond™ are registered trademarks of Saint-Gobain Performance Plastics. Nippon Pillar Super 300® is a registered trademark of Nippon Pillar Packing Co.

**WARRANTY:** Saint-Gobain warrants that the Product will meet specifications at the time of delivery and honor such warranty claims for a period of 18 months after delivery. In the event that you are a distributor purchasing Saint-Gobain Product, any change to specification while in your control as a result of storage conditions or otherwise may cause the above warranty to be voided. THIS IS THE EXCLUSIVE WARRANTY AND IS EXPRESSLY IN LIEU OF ANY AND ALL OTHER OBLIGATIONS, GUARANTEES, WARRANTIES AND REPRESENTATIONS. SAINT-GOBAIN DISCLAIMS ALL IMPLIED WARRANTIES OF MERCHANTABILITY AND FITNESS FOR A PARTICULAR PURPOSE.