



FURON[®] UPBM PRESSURE REGULATOR

MANUAL
1/4 & 1/2 ORIFICE

Furon UPBM back Pressure Regulators are engineered to accurately maintain predetermined liquid input pressure (pressure upstream from the regulator). By adjusting the knob, the end user can control the desired fluid input pressure. Our regulator contains no exposed metallic parts. A modified PTFE isolation diaphragm protects the actuator components from the process media, assuring no possibility of contamination from metal elements.

Constructed from 100% high-purity PFA and PTFE wetted parts, Furon UPRM Pressure Regulators are suitable for use in ultrapure, harsh, or aggressive chemicals commonly found in the Semiconductor industry, or any other applications requiring high purity and/or high chemical resistance.

APPLICATIONS

- Regulation of pressures in aggressive or ultrapure chemical or DI water lines
- Protecting sensitive instrumentation from pressure spikes
- Preventing foreign particles from being forced through filtration membranes due to unstable pressures

FEATURES AND BENEFITS

- Precise construction maintains predetermined input pressure
- Handles fluid temperatures up to 194°F (90°C)
- All fluoropolymer wetted surfaces
- Non-metallic external surfaces
- Integral leak port detection

Furon® UPBM Pressure Regulator Manual

SPECIFICATIONS

Description	End Connection Type	Orifice		End Connection Size		A		B		C		D		Pressure Regulation Range*									
		in	mm	in	mm	in	mm	in	mm	in	mm	in	mm	psig	bar								
UPBM-144-30-M	FNPT	1/4	6.4	1/4	6.4	3.00	76.2	1.45	36.8	5.20	132.1	2.72	69.1	10 - 40	0.7 - 2.8								
UPBM-744-30-M	FuseBond™					4.90	124.5																
UPBM-F44-30-M	FlareGrip® II					4.38	111.3																
UPBM-S30044-30-M	Nippon Pillar Super 300®					Please contact us																	
UPBM-F46-30-M	FlareGrip® II					4.72	119.9																
UPBM-S30046-30-M	Nippon Pillar Super 300®					Please contact us																	
UPBM-144-60-M	FNPT			1/4	6.5	3/8	9.5							3.00	76.2	1.65	41.9	7.82	98.6	3.62	92.0	15 - 60	1.0 - 4.1
UPBM-744-60-M	FuseBond™													4.90	124.5								
UPBM-F44-60-M	FlareGrip® II													4.38	111.3								
UPBM-S30044-60-M	Nippon Pillar Super 300®													Please contact us									
UPBM-F46-60-M	FlareGrip® II													4.72	119.9								
UPBM-S30046-60-M	Nippon Pillar Super 300®													Please contact us									
UPBM-188-30-M	FNPT	1/2	12.7	1/2	12.7	3.60	91.4	1.65	41.9	7.82	98.6	3.62	92.0	10 - 40	0.7 - 2.8								
UPBM-788-30-M	FuseBond™					5.60	142.2																
UPBM-F88-30-M	FlareGrip® II					5.82	147.8																
UPBM-S30088-30-M	Nippon Pillar Super 300®					Please contact us																	
UPBM-F812-30-M	FlareGrip® II					6.30	160.0																
UPBM-S300812-30-M	Nippon Pillar Super 300®					Please contact us																	
UPBM-188-60-M	FNPT			1/2	12.7	3/4	19.1							3.60	91.4	1.65	41.9	7.82	98.6	3.62	92.0	15 - 60	1.0 - 4.1
UPBM-788-60-M	FuseBond™													5.60	142.2								
UPBM-F88-60-M	FlareGrip® II													5.82	147.8								
UPBM-S30088-60-M	Nippon Pillar Super 300®													Please contact us									
UPBM-F812-60-M	FlareGrip® II													6.30	160.0								
UPBM-S300812-60-M	Nippon Pillar Super 300®													Please contact us									

* [Please contact us](#) for Higher Pressure Regulation range.

A, B, C, D dimensions corresponding drawing on following page

TECHNICAL SPECIFICATIONS

Max. Operating Pressure	90 psig (6.2 bar)
Pressure Regulation Range*	10 - 40 psig (0.7 - 2.75 bar) and 15 - 60 psig (1.0 - 4.1 bar)
Max. Operating Temperature	Ambient: 122°F (50°C) Media: 194°F (90°C)
Body	PTFE / PFA
Diaphragm	Modified PTFE
Top Cap (Air Actuator)	Polypropylene

* [Please contact us](#) for Higher Pressure Regulation range.

OPTIONS

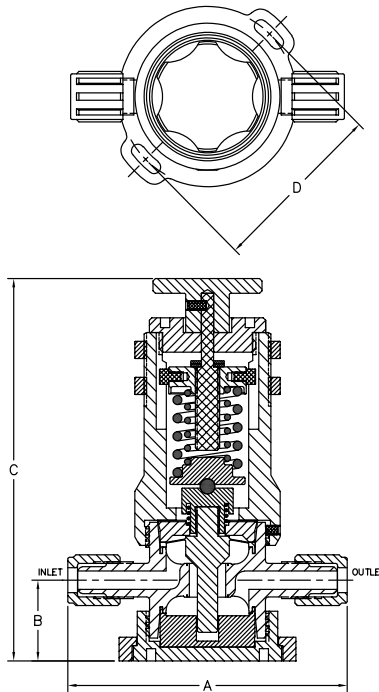
Other end connections:

- Grab Seal™
- Nippon Pillar Super 300®
- Tube Ends
- Others not listed

[Please contact us](#) for further details >>

Furon® UPBM Pressure Regulator Manual

DRAWINGS



Saint-Gobain Performance Plastics

China (+8621) 5472 1568
Sales.PPLCN@saint-gobain.com

Europe (+33) 3 85 20 27 00
quotes-clm@saint-gobain.com

India (+91) 80 46978888
pplindia.hc@saint-gobain.com

Japan (+81) 3 6256 9703
ls-japan@saint-gobain.com

Korea (+82) 2 6098 0180
LS-Korea@saint-gobain.com

Southeast Asia (+66) 38 667 800
cs.sgplsea@saint-gobain.com

Taiwan (+886) 2 2503 4201
Taiwan.ppl@saint-gobain.com

United States (+1) 800-833-5661
gardengrovequoteteam@saint-gobain.com

All Other Regions
www.furon.com

NOTE: This document is intended to provide information about the product to enable you to consider whether generally the Product meets your application need and is not intended to provide product specification. This document should not be considered a Product warranty or guaranty. To the extent this document mentions any tests done by Saint-Gobain, such tests are done under controlled laboratory circumstances and hence other factors in your use and application may impact such values. Saint-Gobain strongly recommends that you conduct practical tests simulating the conditions of your application to ensure that the product meets your requirements for your specific application

Furon®, FlareGrip® and FuseBond™ are registered trademarks of Saint-Gobain Performance Plastics. Nippon Pillar Super 300® is a registered trademark of Nippon Pillar Packing Co.

WARRANTY: Saint-Gobain warrants that the Product will meet specifications at the time of delivery and honor such warranty claims for a period of 18 months after delivery. In the event that you are a distributor purchasing Saint-Gobain Product, any change to specification while in your control as a result of storage conditions or otherwise may cause the above warranty to be voided. THIS IS THE EXCLUSIVE WARRANTY AND IS EXPRESSLY IN LIEU OF ANY AND ALL OTHER OBLIGATIONS, GUARANTEES, WARRANTIES AND REPRESENTATIONS. SAINT-GOBAIN DISCLAIMS ALL IMPLIED WARRANTIES OF MERCHANTABILITY AND FITNESS FOR A PARTICULAR PURPOSE.