



## FURON<sup>®</sup> GAUGE PROTECTOR

### SINGLE & DOUBLE DIAPHRAGMS

Furon Gauge Protectors isolate metal pressure gauges and transducers from potentially damaging media, protecting downstream equipment. Furon Gauge Protectors utilize a PTFE diaphragm to isolate the process chemistry from the filler fluid. Double-diaphragm gauge protectors offer dual containment protection against aggressive or high-temperature process chemistries. Innovative design features dual fill ports for the isolation media, allowing for easy fill and purge. A variety of isolation media may be used, including glycerin, DI water, and IPA/DI mixtures. Furon Gauge Protectors are 100% metal and elastomer free, contributing to longer product life and significantly reducing the potential for leakage or contamination. A wide variety of configurations are available to accommodate the requirements of virtually any application. Options include flow-through tees, which are fuse-bonded to eliminate the potential for thread leakage, pressure transducers with digital display, and custom end connections.

### APPLICATIONS

- Commonly used to indicate remaining filter life
- Isolates metal pressure gauges or transducers from corrosive or aggressive media
- Suitable for use in abrasive slurry
- Protects high-purity media from potential contamination caused by pressure gauges or transducers
- Eliminates media hold-up volumes common in gauges and transducers

### FEATURES AND BENEFITS

- Isolates metal gauge or pressure transducer from media
- 100% non-metallic construction
- All high-purity PFA body; PTFE diaphragm
- Proprietary diaphragm seals with no hold up volume or elastomers
- Easy fill/bleed dual fill ports
- Variety of mounts optional including fuse bonded flow-thru tee option
- Optionally available with pressure gauge installed

# Furon® Static Mixer

## SPECIFICATIONS - SINGLE DIAPHRAGM

Description	End Connection Type	End Connection Size		Gauge Mounting	Gauge Rating	
		in	mm		PSIG	bar
GPMSO-1440-0-0	FNPT	1/4	6.35	1/4 -18 FNPT	Without Gauge	
GPMSF-1440-A-DI					0 - 15	0 - 1
GPMSF-1440-B-DI					0 - 30	0 - 2
GPMSF-1440-C-DI					0 - 60	0 - 4.1
GPMSF-1440-D-DI					0 - 100	0 - 6.89
GPMSF-1440-E-DI					0 - 160	0 - 11

## SPECIFICATIONS - DOUBLE DIAPHRAGM

Description	End Connection	End Connection Size		Gauge Mounting	Gauge Rating	
		in	mm		PSIG	bar
GPMDO-1440-0-0	FNPT	1/4	6.35	1/4 -18 FNPT	Without Gauge	
GPMDF-1440-B-DI					0 - 30	0 - 2
GPMDF-1440-C-DI					0 - 60	0 - 4.1
GPMDF-1440-D-DI					0 - 100	0 - 6.89
GPMDF-1440-E-DI					0 - 160	0 - 11

## TECHNICAL SPECIFICATIONS

Max. Operating Temperature	Ambient: 122°F (50°C) Media: 302°F (150°C)
Maximum Pressure	120 psig (8.3 bar) at room temperature
Accuracy	5% of full scale (when ordered with gauge installed)
End Connection	1/4" FNPT
Gauge Port	1/4" FNPT
Fill Fluid	Deionized (DI) water

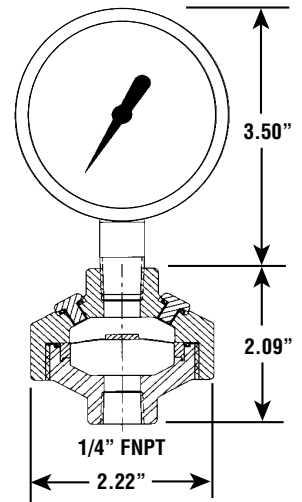
## NOTES

Gauge protector accuracy performance directly related to the amount of air trapped while filling the gauge and pressure transducer chamber. Minimum gauge accuracy of 5% of full scale when filled by Furon Fluid Handling Product manufacturing facility. Units filled by customer may result in varied level of accuracy.

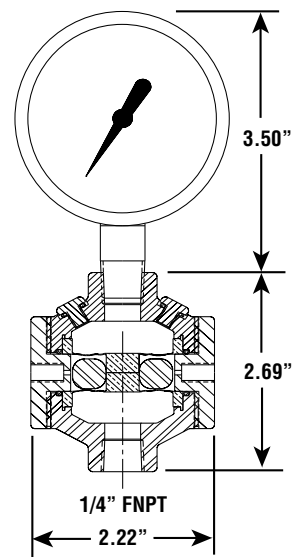
## OPTIONS

- Flow-through tee - fuse bonded to Gauge Protector [Please contact us](#) for further details
- Alternate fill fluids

### Single Diaphragm



### Double Diaphragm



### Saint-Gobain Performance Plastics

**China** (+86) 400 888 0198  
sales.PPSCN@saint-gobain.com

**Europe** (+33) 3 85 20 27 00  
quotes-clm@saint-gobain.com

**India** (+91) 76208 22999  
pplindia.hc@saint-gobain.com

**Japan** (+81) 3 6256 9703  
ls-japan@saint-gobain.com

**Korea** (+82) 2 6098 0180  
LS-Korea@saint-gobain.com

**Southeast Asia** (+66) 38 667 800  
cs.sgpplsea@saint-gobain.com

**Taiwan** (+886) 2 2503 4201  
Taiwan.ppl@saint-gobain.com

**United States** (+1) 800-833-5661  
gardengrovequoteteam@saint-gobain.com

**All Other Regions**  
www.furon.com

**NOTE:** This document is intended to provide information about the product to enable you to consider whether generally the Product meets your application need and is not intended to provide product specification. This document should not be considered a Product warranty or guaranty. To the extent this document mentions any tests done by Saint-Gobain, such tests are done under controlled laboratory circumstances and hence other factors in your use and application may impact such values. Saint-Gobain strongly recommends that you conduct practical tests simulating the conditions of your application to ensure that the product meets your requirements for your specific application

Furon® is a registered trademark of Saint-Gobain Performance Plastics.

**WARRANTY:** Saint-Gobain warrants that the Product will meet specifications at the time of delivery and honor such warranty claims for a period of 18 months after delivery. In the event that you are a distributor purchasing Saint-Gobain Product, any change to specification while in your control as a result of storage conditions or otherwise may cause the above warranty to be voided. THIS IS THE EXCLUSIVE WARRANTY AND IS EXPRESSLY IN LIEU OF ANY AND ALL OTHER OBLIGATIONS, GUARANTEES, WARRANTIES AND REPRESENTATIONS. SAINT-GOBAIN DISCLAIMS ALL IMPLIED WARRANTIES OF MERCHANTABILITY AND FITNESS FOR A PARTICULAR PURPOSE.