



FURON[®] FLAREGRIP[®] II FITTINGS

INDUSTRY STANDARD
FINE FLARE THREAD

The Furon FlareGrip II fitting line utilizes injection molding and a premium grade of high purity PFA. The product line covers the common range of tubing sizes used in the Micro E industry and a wide array of standard configurations are available from stock for immediate shipment. Furon products are available through the Saint-Gobain organization & our worldwide distribution network.

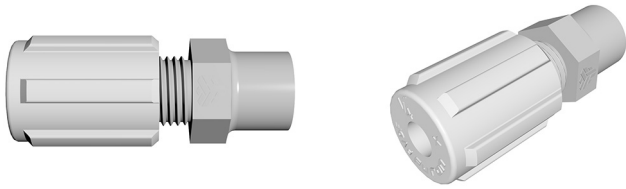
APPLICATIONS

The Furon FlareGrip II fittings offers the perfect fitting solution and superior performance for transfer, recirculation, dispensing and bulk delivery for the Semiconductor, Photovoltaic, Chemical processing, or any industry where high-purity and chemical resistance is a must.

FEATURES AND BENEFITS

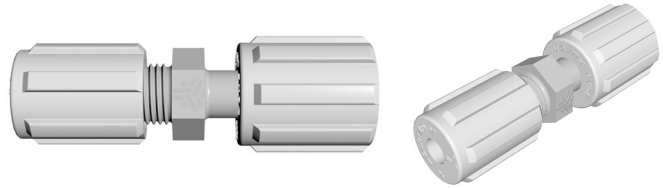
- Molded from virgin premium high-purity PFA
- Ideally used with Furon HP PFA 400 Tubing
- Male Flare & Female Flare
- Large variety of configuration:
 - Tee
 - Cap
 - Reducer
 - Elbow
- Transition fitting to other connection style:
 - NPT connections
 - FuseBond™ connections
- Double bagged in Cleanroom
- Nuts available in different type of material to fit your exact need, among the most commonly manufactured:
 - PFA
 - ETFE
 - PVDF

STRAIGHT FLAREGRIP II FITTING LINE



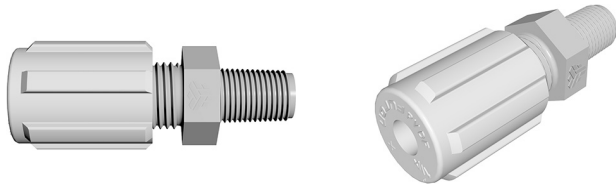
UAF
Union Adapter Female

Page 9



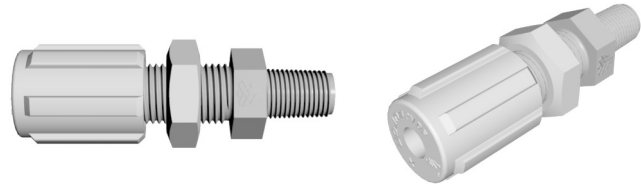
UAFF
Union Adapter Female Flare

Page 13



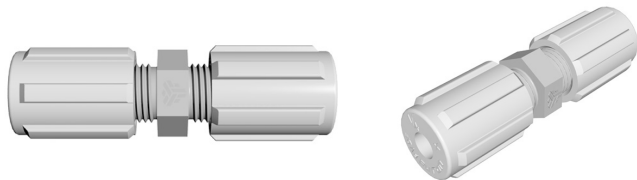
UAM
Union Adapter Male

Page 10



UAMP
Union Adapter Male Panel

Page 14



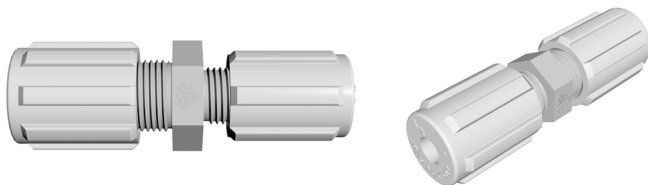
SU
Straight Union

Page 11



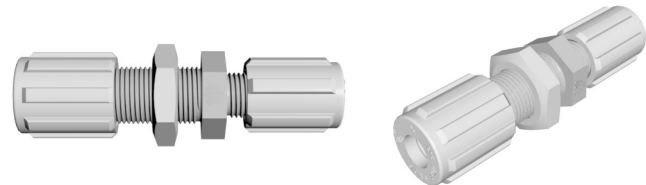
SUP
Straight Union Panel

Page 14



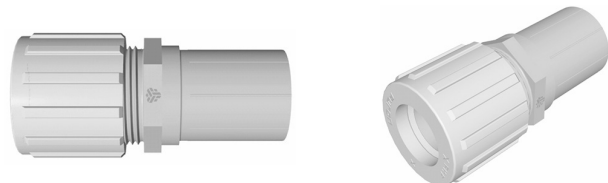
SUR
Straight Union Reducer

Page 11



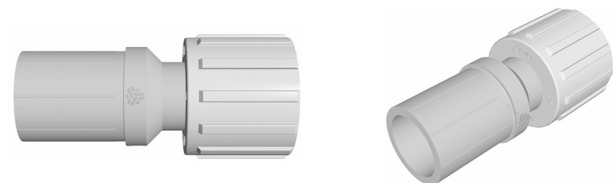
SUPR
Straight Union Panel Reducer

Page 15



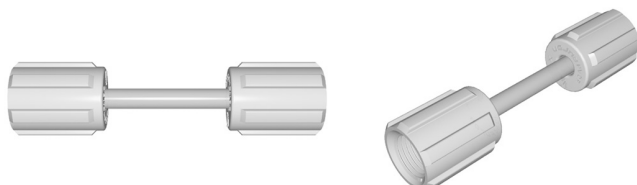
UA (FuseBond™)
Union Adapter

Page 12



UAFF (FuseBond™)
Union Adapter Female Flare

Page 15



STU
Straight Tube Union

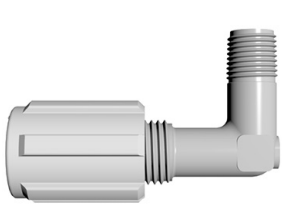
Page 13

NOTES

All fittings are class 100 cleanroom assembled and double bagged.

All pipe ends are manufactured to standard schedule 40 pipe dimensions.

ELBOW AND NUT FLAREGRIP II FITTING LINE



EAM
Elbow Adapter Male

Page 16



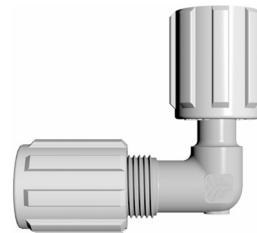
ETAFF
Elbow Tube Adapter
Female Flare

Page 19



UE
Union Elbow

Page 17



UEFF
Union Elbow Female Flare

Page 19



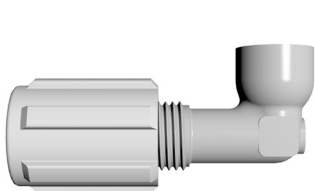
ETA
Elbow Tube Adapter

Page 17



PVDF | ETFE | PFA
Nut

Page 20



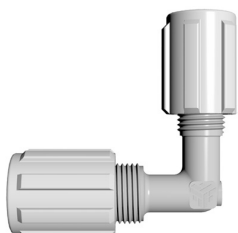
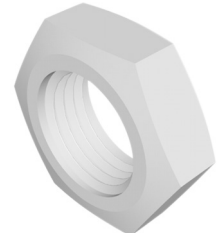
EAF
Elbow Adapter Female

Page 18



PVDF
Panel Nut

Page 20



UER
Union Elbow Reducer

Page 18



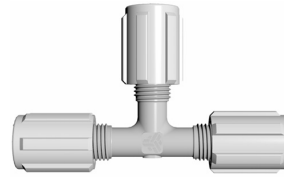
TEE FLAREGRIP II FITTING LINE



UTFF I
Union Tee Female Flare I



Page 21



UT
Union Tee



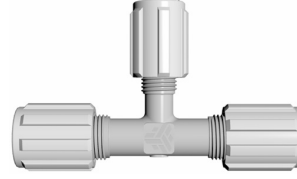
Page 24



UTFF III
Union Tee Female Flare III



Page 21



UTR
Union Tee Reducer



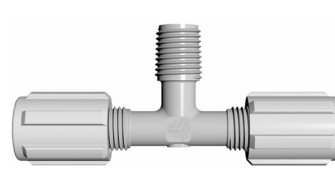
Page 25



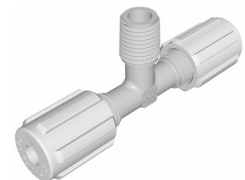
UTRFF I
Union Tee Reducer
Female Flare



Page 22



MBT
Male Branch Tee



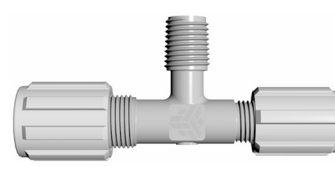
Page 26



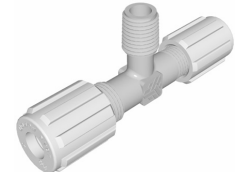
UTRFF II
Union Tee Reducer
Female Flare II



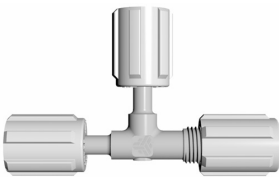
Page 22



MBTR
Male Branch Tee Reducer



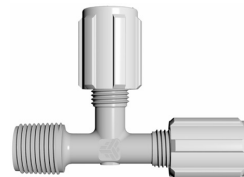
Page 26



UTRFF III
Union Tee Reducer
Female Flare III



Page 23



MRT
Male Run Tee



Page 27



BTFF (FuseBond™)
Branch Tee Female Flare



Page 23



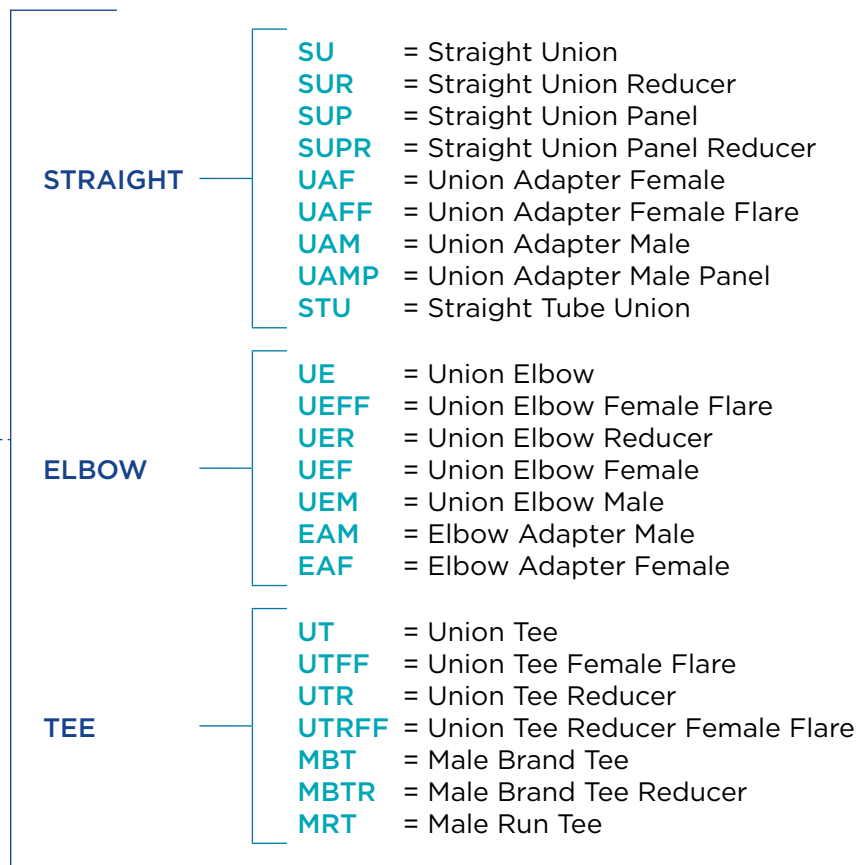
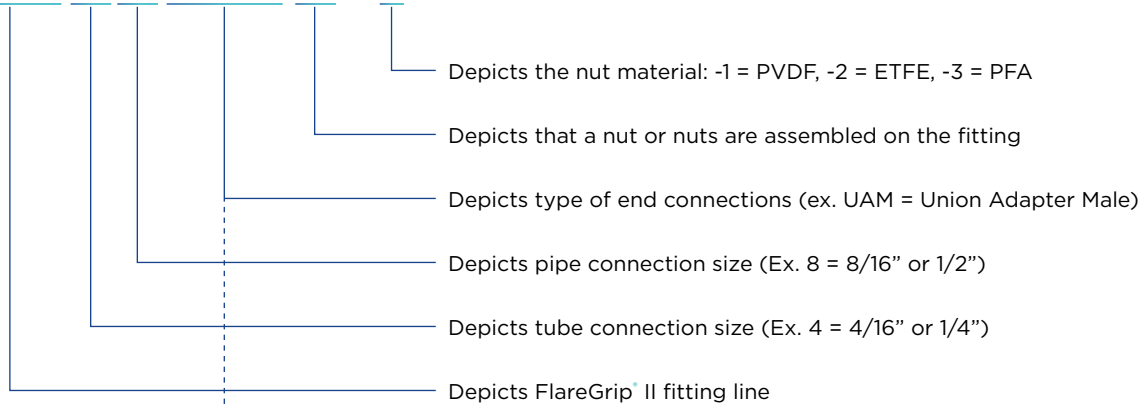
BT
Branch Tee



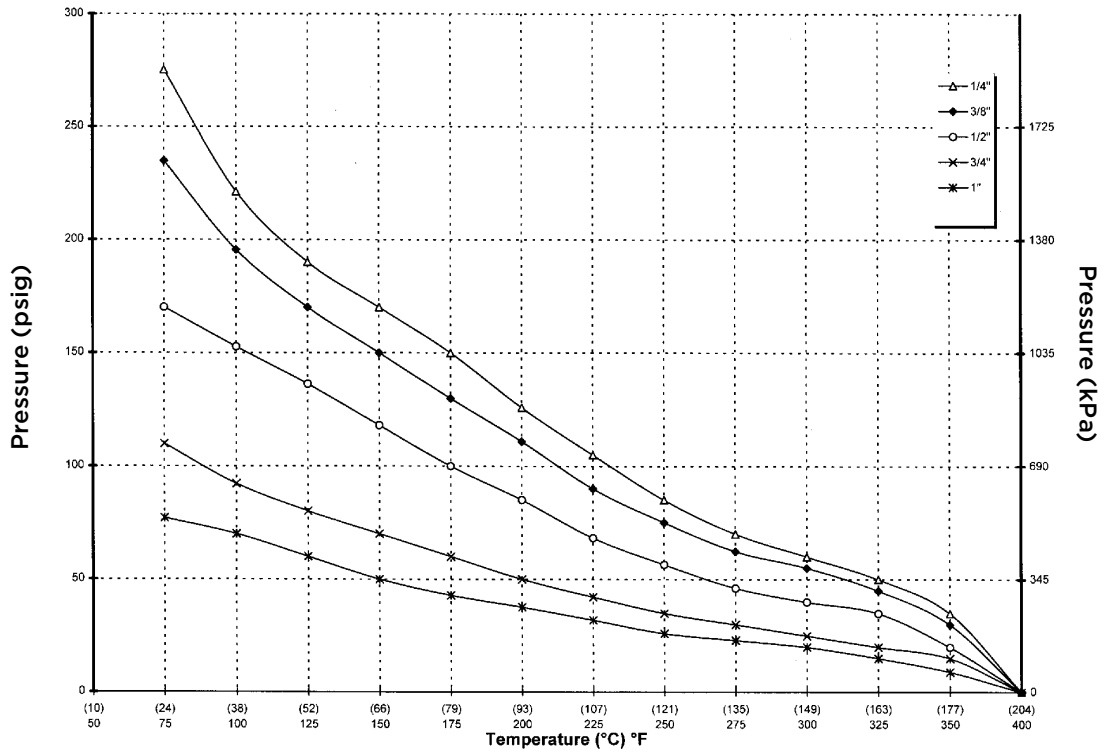
Page 27

NOMENCLATURE

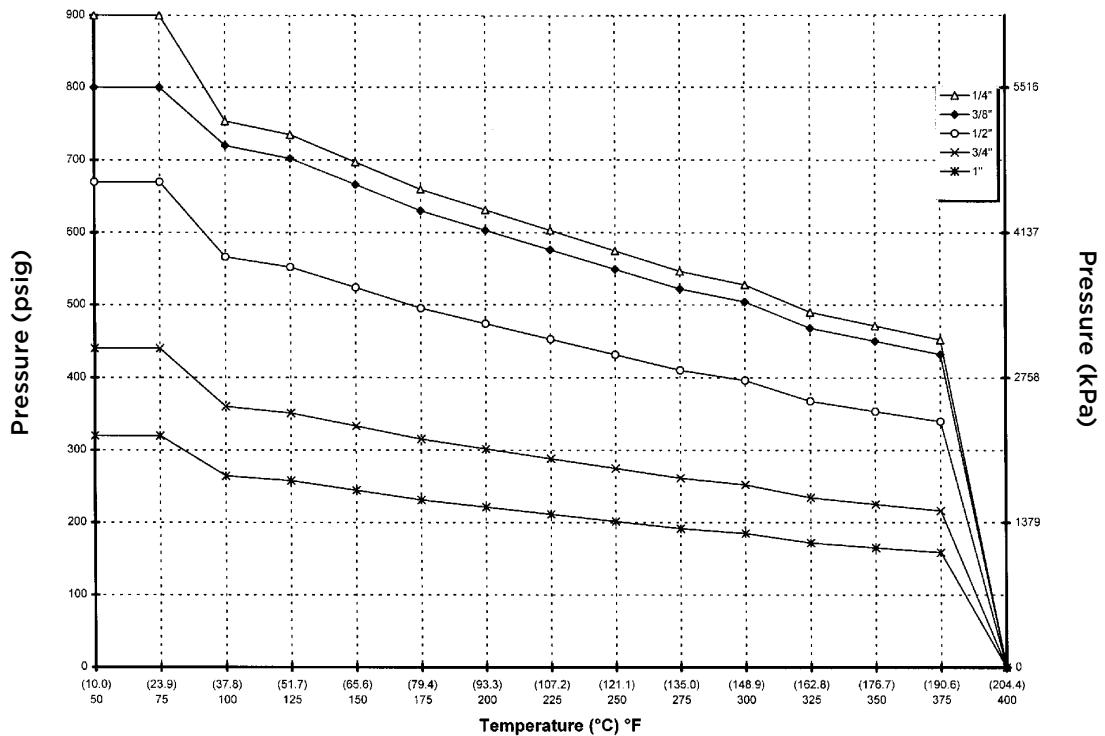
FMF 4 8 UAM N - 1



FINE THREAD FLARE MAX OPERATING PRESSURE



FINE THREAD FLARE BURST PRESSURE



MAXIMUM OPERATING PRESSURE VS. TEMPERATURE

PFA TUBING

Temperature		1/4"		3/8"		1/2"		3/4"		1"	
°F	°C	psi	kPa	psi	kPa	psi	kPa	psi	kPa	psi	kPa
75	24	275	1896	235	1620	170	1172	110	758	77	531
200	93	130	896	115	793	85	586	55	379	40	276
250	121	85	586	75	517	55	379	35	241	25	172
300	149	60	414	55	379	40	276	25	172	20	138
350	177	35	241	30	207	20	138	15	103	9	62
400	204	N/R	N/R	N/R	N/R	N/R	N/R	N/R	N/R	N/R	N/R

PVDF NUT

Temperature		1/4"		3/8"		1/2"		3/4"		1"	
°F	°C	psi	kPa	psi	kPa	psi	kPa	psi	kPa	psi	kPa
75	24	275	1896	235	1620	170	1172	110	758	77	531
200	93	130	896	115	793	85	586	55	379	40	276
250	121	85	586	75	517	55	379	35	241	25	172
300	149	60	414	55	379	40	276	25	172	20	138
350	177	35	241	30	207	20	138	15	103	9	62
400	204	N/R	N/R	N/R	N/R	N/R	N/R	N/R	N/R	N/R	N/R

PFA NUT

Temperature		1/4"		3/8"		1/2"		3/4"		1"	
°F	°C	psi	kPa	psi	kPa	psi	kPa	psi	kPa	psi	kPa
75	24	275	1896	235	1620	170	1172	110	758	77	531
200	93	130	896	115	793	85	586	55	379	40	276
250	121	85	586	75	517	55	379	35	241	25	172
300	149	60	414	55	379	40	276	25	172	20	138
350	177	35	241	30	207	20	138	15	103	9	62
400	204	N/R	N/R	N/R	N/R	N/R	N/R	N/R	N/R	N/R	N/R

ETFE NUT

Temperature		1/4"		3/8"		1/2"		3/4"		1"	
°F	°C	psi	kPa	psi	kPa	psi	kPa	psi	kPa	psi	kPa
75	24	277	1910	237	134	173	1193	112	772	77	531
200	93	132	910	117	807	87	600	57	393	40	276
250	121	88	607	77	531	58	400	35	241	25	172
300	149	63	434	58	400	42	290	25	172	21	145
350	177	N/R	N/R	N/R	N/R	N/R	N/R	N/R	N/R	N/R	N/R
400	204	N/R	N/R	N/R	N/R	N/R	N/R	N/R	N/R	N/R	N/R

N/R: Not Recommended

BURST PRESSURE VS. TEMPERATURE

PFA TUBING

Temperature		1/4"		3/8"		1/2"		3/4"		1"	
°F	°C	psi	kPa	psi	kPa	psi	kPa	psi	kPa	psi	kPa
75	24	900	6206	800	5516	670	4620	440	3034	320	2206
200	93	631	4353	603	4159	474	3270	302	2082	221	1527
250	121	575	3963	549	3787	432	2977	275	1895	202	1390
300	149	528	3638	504	3477	396	2733	252	1740	185	1276
350	177	471	3248	450	3104	354	2440	225	1553	165	1139
400	204	N/R	N/R	N/R	N/R	N/R	N/R	N/R	N/R	N/R	N/R

PVDF NUT

Temperature		1/4"		3/8"		1/2"		3/4"		1"	
°F	°C	psi	kPa	psi	kPa	psi	kPa	psi	kPa	psi	kPa
75	24	900	6206	800	5516	670	4620	440	3034	320	2206
200	93	631	4353	603	4159	474	3270	302	2082	221	1527
250	121	575	3963	549	3787	432	2977	275	1895	202	1390
300	149	528	3638	504	3477	396	2733	252	1740	185	1276
350	177	471	3248	450	3104	354	2440	225	1553	165	1139
400	204	N/R	N/R	N/R	N/R	N/R	N/R	N/R	N/R	N/R	N/R

PFA NUT

Temperature		1/4"		3/8"		1/2"		3/4"		1"	
°F	°C	psi	kPa	psi	kPa	psi	kPa	psi	kPa	psi	kPa
75	24	900	6206	800	5516	670	4620	440	3034	320	2206
200	93	631	4353	603	4159	474	3270	302	2082	221	1527
250	121	575	3963	549	3787	432	2977	275	1895	202	1390
300	149	528	3638	504	3477	396	2733	252	1740	185	1276
350	177	471	3248	450	3104	354	2440	225	1553	165	1139
400	204	N/R	N/R	N/R	N/R	N/R	N/R	N/R	N/R	N/R	N/R

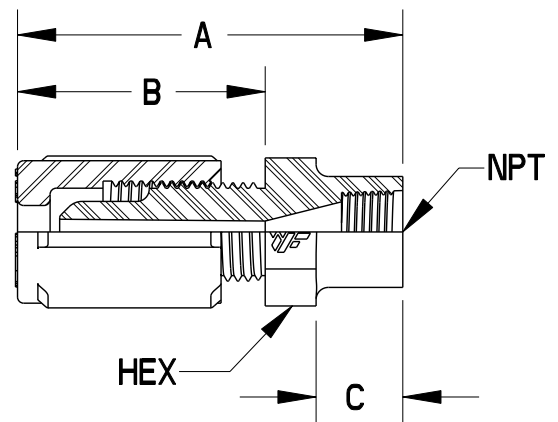
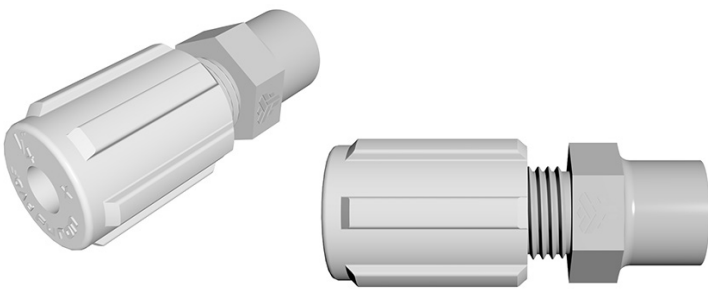
ETFE NUT

Temperature		1/4"		3/8"		1/2"		3/4"		1"	
°F	°C	psi	kPa	psi	kPa	psi	kPa	psi	kPa	psi	kPa
75	24	900	6206	800	5516	670	4620	440	3034	320	2206
200	93	631	4353	603	4159	474	3270	302	2082	221	1527
250	121	575	3963	549	3787	432	2977	275	1895	202	1390
300	149	528	3638	504	3477	396	2733	252	1740	185	1276
350	177	471	3248	450	3104	354	2440	225	1553	165	1139
400	204	N/R	N/R	N/R	N/R	N/R	N/R	N/R	N/R	N/R	N/R

N/R: Not Recommended

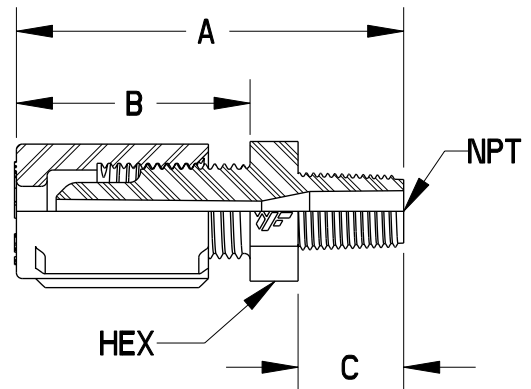
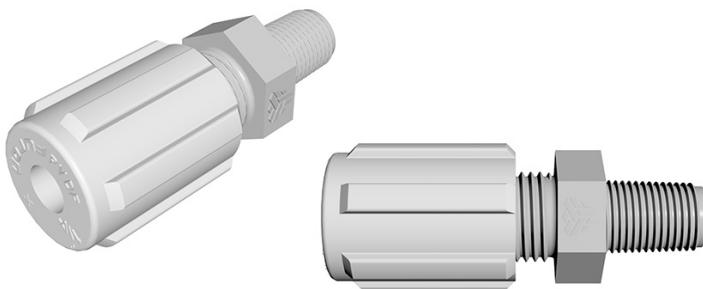
FURON® UAF - UNION ADAPTER FEMALE

Description	Tube Size		Female NPT	Orifice		A		B		HEX			
	in	mm		in	in	mm	in	mm	in	mm	in	mm	
FMF42UAFN - 1	1/4	6.4	1/8	0.125	3.18	1.89	48.1	1.22	30.9	0.63	16.0		
FMF44UAFN - 1			1/4			2.05	52.0			0.94	23.9		
FMF46UAFN - 1			3/8			2.06	52.2			0.19	30.2		
FMF48UAFN - 1			1/2			2.20	55.8						
FMF62UAFN - 1	3/8	9.5	1/8	0.250	6.35	1.99	50.5	1.31	33.4	0.63	16.0		
FMF64UAFN - 1			1/4			2.13	54.1	1.30	32.9	23.9	23.9		
FMF66UAFN - 1			3/8			2.14	54.2			31.8	31.8		
FMF68UAFN - 1			1/2			2.28	57.8						
FMF84UAFN - 1	1/2	12.7	1/4	0.375	9.53	2.24	56.9	1.41	35.7	0.94	23.9		
FMF86UAFN - 1			3/8			2.25	57.0			1.13	28.7		
FMF88UAFN - 1			1/2			2.43	61.6	1.45	36.8			1.38	35.1
FMF812UAFN - 1			3/4			2.44	62.0			1.19	30.2		
FMF816UAFN - 1	1	2.59	65.8										
FMF128UAFN - 1	3/4	19.1	1/2	0.625	15.88	2.50	63.6	1.52	38.7	1.38	35.1		
FMF1212UAFN - 1			3/4			2.53	64.2	1.54	39.0	1.63	41.4		
FMF1216UAFN - 1			1			2.68	68.1						
FMF168UAFN - 1	1	25.4	1/2	0.632	16.05	2.75	69.9	1.77	45.0	1.44	36.6		
FMF1612UAFN - 1			3/4							1.76	44.6	1.63	41.4
FMF1616UAFN - 1			1										



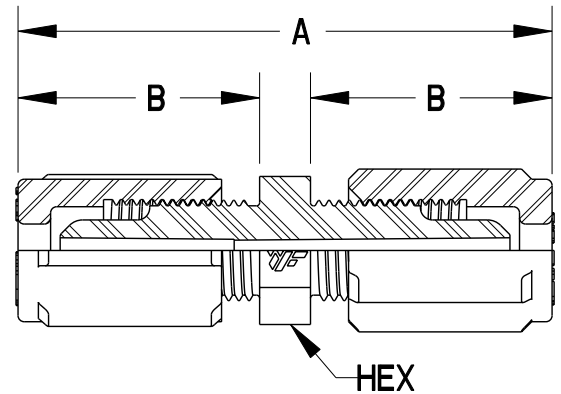
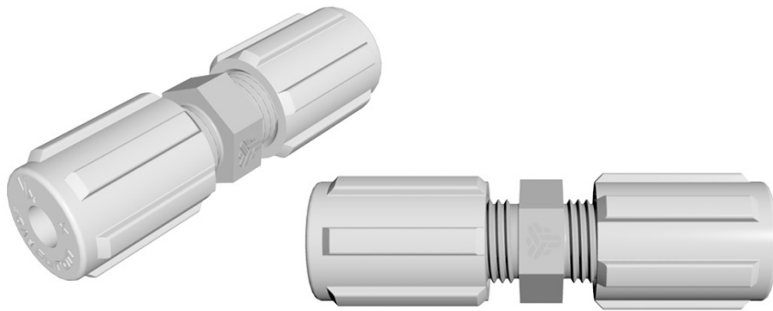
FURON® UAM - UNION ADAPTER MALE

Description	Tube Size		Male NPT		Orifice		A		B		C		HEX							
	in	mm	in	mm	in	mm	in	mm	in	mm	in	mm	in	mm						
FMF42UAMN - 1	1/4	6.4	1/8	3.2	0.125	3.18	2.02	51.2	1.22	30.9	0.55	14.0	0.63	16.0						
FMF44UAMN - 1			1/4	6.4									0.81	20.6						
FMF46UAMN - 1			3/8	9.5									0.94	23.9						
FMF48UAMN - 1			1/2	12.7									1.19	30.2						
FMF412UAMN - 1			3/4	19.1																
FMF62UAMN - 1	3/8	9.5	1/8	3.2	0.215	5.46	2.11	53.7	1.31	33.4	0.55	14.0	0.81	20.6						
FMF64UAMN - 1			1/4	6.4	0.250	6.35							2.23	56.7	0.67	17.0	0.94	23.9		
FMF66UAMN - 1			3/8	9.5																
FMF68UAMN - 1			1/2	12.7																
FMF612UAMN - 1			3/4	19.1																
FMF616UAMN - 1	1	25.4	2.41	61.3			0.85	21.6	1.44	36.6										
FMF82UAMN - 1	1/2	12.7	1/8	3.2	0.215	5.46	2.22	56.5	1.42	36.1	0.55	14.0	0.94	23.9						
FMF84UAMN - 1			1/4	6.4	0.302	7.67														
FMF86UAMN - 1			3/8	9.5	0.375	9.53									2.34	59.5	0.67	17.0	1.19	30.2
FMF88UAMN - 1			1/2	12.7																
FMF812UAMN - 1			3/4	19.1																
FMF816UAMN - 1	1	25.4	2.52	64.1			0.85	21.6	1.44	36.6										
FMF128UAMN - 1	3/4	19.1	1/2	12.7			0.546	13.87	2.44	62.1	1.52	38.7	0.67	17.0						
FMF1212UAMN - 1			3/4	19.1	0.625	15.88														
FMF1216UAMN - 1			1	25.4			2.62	66.6							0.85	21.6				
FMF168UAMN - 1	1	25.4	1/2	12.7	0.546	13.87	2.69	68.4	1.77	45.0	0.67	17.0	1.44	36.6						
FMF1612UAMN - 1			3/4	19.1	0.742	18.85														
FMF1616UAMN - 1			1	25.4	0.875	22.23									2.87	73.0	0.85	21.6		



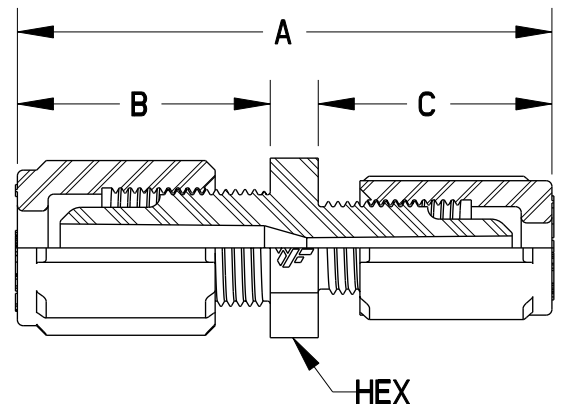
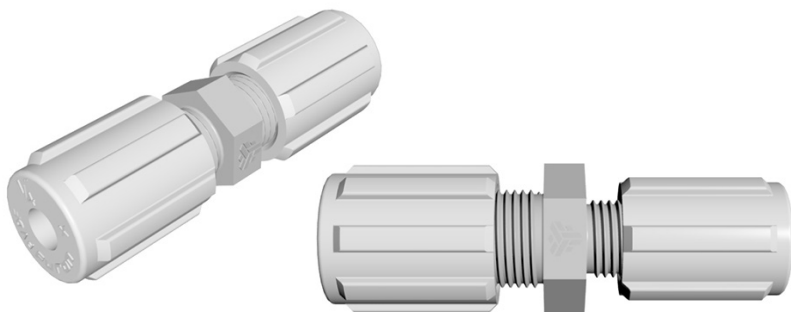
FURON® SU - STRAIGHT UNION

Description	Tube Size		Orifice		A		B		HEX	
	in	mm	in	mm	in	mm	in	mm	in	mm
FMF4SUN - 1	1/4	6.4	0.125	3.18	2.68	68.2	1.22	30.9	0.63	16.0
FMF6SUN - 1	3/8	9.5	0.250	6.35	2.88	73.1	1.31	133.4	0.81	20.6
FMF8SUN - 1	1/2	12.7	0.375	9.53	3.10	78.6	1.42	36.1	0.94	23.9
FMF12SUN - 1	3/4	19.1	0.625	15.88	3.30	83.7	1.52	38.7	0.19	30.2
FMF16SUN - 1	1	25.4	0.875	22.23	2.78	70.7	1.27	32.2	1.44	36.6



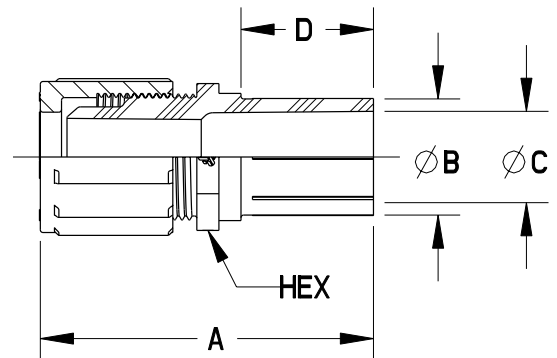
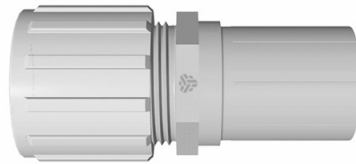
FURON® SUR - STRAIGHT UNION REDUCER

Description	Tube Size		Tube Size		Orifice		A		B		C		HEX	
	in	mm	in	mm	in	mm	in	mm	in	mm	in	mm	in	mm
FMF64SURN - 1	3/8	9.5	1/4	6.4	0.125	3.18	2.78	70.6	1.31	133.4	1.22	30.9	0.81	20.6
FMF84SURN - 1	1/2	12.7					2.89	73.4						
FMF86SURN - 1			3/4	19.1	3/8	9.5	0.250	6.35	2.99	75.8	1.42	36.1	1.31	133.4
FMF124SURN - 1	1/4	6.4			0.125	3.18	3.09	78.4	1.52	38.7				
FMF126SURN - 1	3/4	19.1	3/8	9.5	0.250	6.35	3.20	81.2	1.52	38.7	1.31	133.4	0.19	30.2
FMF128SURN - 1			1/2	12.7	0.375	9.53	3.45	87.5						
FMF168SURN - 1	1	25.4	3/4	19.1	0.625	15.88	3.55	90.1	1.77	45.0	1.52	38.7	1.44	36.6
FMF1612SURN - 1							3/4	19.1						



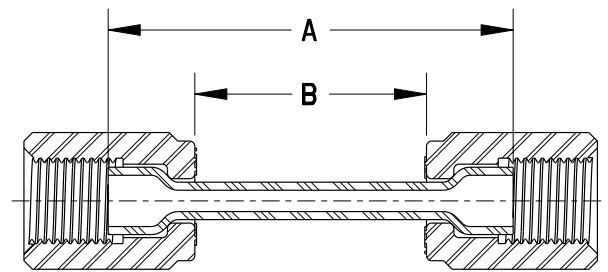
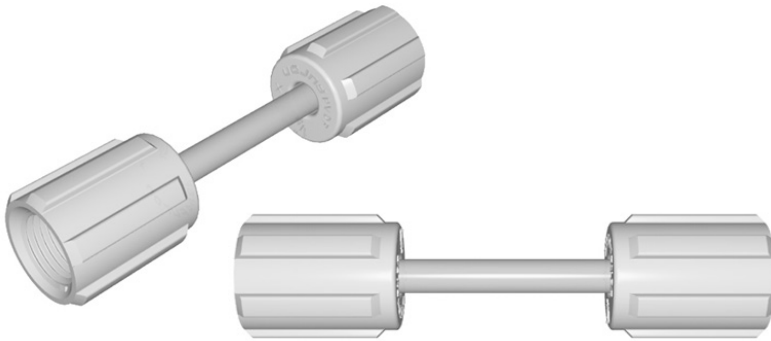
FURON® UA - UNION ADAPTER (FUSEBOND™)

Description	Tube Size		Nominal Pipe Size by Schedule 40	A		ØB		ØC		D		HEX	
	in	mm		in	mm	in	mm	in	mm	in	mm	in	mm
FBUA-4F4N - 1			1/4	2.22	56.3	0.540	13.72	0.354	8.99	0.50	12.7	0.68	17.3
FBUA-4F8N - 1	1/4	6.4	1/2	3.22	81.7	0.840	21.34	0.607	15.42	1.50	38.1	0.94	23.9
FBUA-4F12N - 1			3/4			1.050	26.67	0.809	20.55			1.18	30.0
FBUA-6F4N - 1	3/8	9.5	1/4	2.31	58.7	0.540	13.72	0.354	8.99	0.50	12.7	0.81	20.6
FBUA-6F8N - 1			1/2	3.31	84.1	0.840	21.34	0.607	15.42	1.50	38.1	0.94	23.9
FBUA-6F12N - 1			3/4		1.050	26.67	0.809	20.55	1.18	30.0			
FBUA-8F8N - 1	1/2	12.7	1/2			0.840	21.34	0.607	15.42	1.53	38.9	0.94	23.9
FBUA-8F12N - 1			3/4	3.42	86.9	1.050	26.67	0.809	20.55	1.50	38.1	1.18	30.0
FBUA-8F16N - 1			1		1.315	33.40	1.034	26.26	1.44	36.6			
FBUA-12F8N - 1	3/4	19.1	1/2			0.840	21.34	0.607	15.42	1.53	38.9	1.18	30.0
FBUA-12F12N - 1			3/4	3.52	89.5	1.050	26.67	0.809	20.55			1.44	36.6
FBUA-12F16N - 1			1		1.315	33.40	1.034	26.26	1.44			36.6	
FBUA-16F8N - 1	1	25.4	1/2			0.840	21.34	0.607	15.42	1.50	38.1	1.44	36.6
FBUA-16F12N - 1			3/4			1.050	26.67	0.809	20.55			2.03	51.6
FBUA-16F16N - 1			1	3.77	95.8	1.315	33.40	1.034	26.26			2.50	63.5
FBUA-16F24N - 1			1-1/2			1.900	48.26	1.610	40.89			2.03	51.6
FBUA-16F32N - 1			2			2.375	60.33	2.052	52.12			2.50	63.5



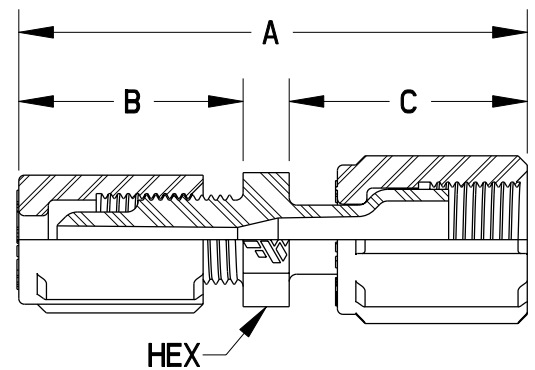
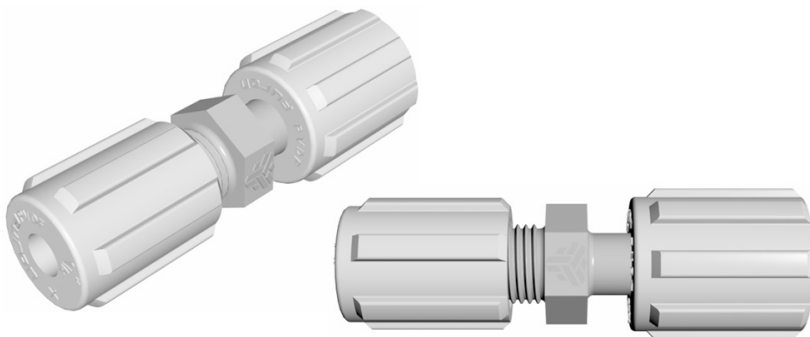
FURON® STU - STRAIGHT TUBE UNION

Description	Tube Size		Orifice		A		B	
	in	mm	in	mm	in	mm	in	mm
FMF4STUN - 1	1/4	6.4	0.125	3.18	3.47	88.1	2.46	62.4
FMF6STUN - 1	3/8	9.5	0.250	6.35	3.61	91.7	2.30	58.4
FMF8STUN - 1	1/2	12.7	0.375	9.53	3.98	101.1	2.56	65.0
FMF12STUN - 1	3/4	19.1	0.625	15.88	4.48	113.8	3.04	77.2
FMF16STUN - 1	1	25.4	0.875	22.23	3.86	98.0	2.24	56.9



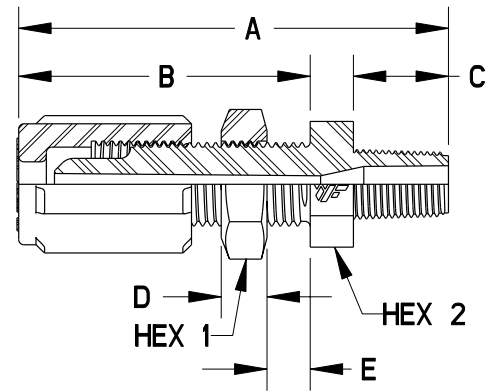
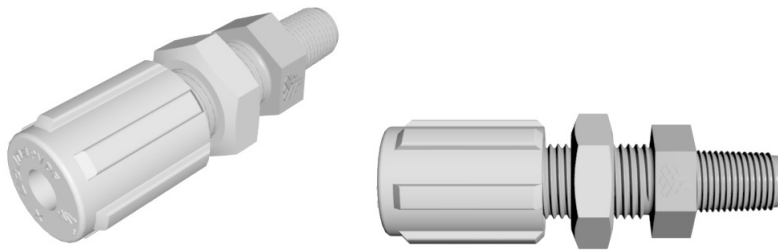
FURON® UAFF - UNION ADAPTER FEMALE FLARE (FF)

Description	Tube Size		Tube Size FF		Orifice		A		B		C		HEX	
	in	mm	in	mm	in	mm	in	mm	in	mm	in	mm	in	mm
FMF46UAFFN - 1	1/4	6.4	3/8	9.5	0.150	3.81	2.76	70.1	1.22	30.9	1.29	32.8	0.63	16.0
FMF48UAFFN - 1			1/2	12.7			2.83	71.8			1.36	34.5		
FMF68UAFFN - 1	3/8	9.5	3/4	19.1	0.250	6.35	2.92	74.2	1.31	33.4	1.53	39.0	0.94	23.9
FMF612UAFFN - 1			1/2	12.7			3.03	77.0			36.1	36.1		
FMF812UAFFN - 1	1/2	12.7	3/4	19.1	0.375	9.53	3.21	81.5	38.7	38.7	1.53	39.0	0.94	23.9
FMF1212UAFFN - 1			1	25.4			3.31	84.0			1.80	45.8		
FMF1216UAFFN - 1	3/4	19.1	1	25.4	0.625	15.88	3.58	90.9	45.0	45.0	1.53	39.0	1.44	36.6
FMF1612UAFFN - 1			3/4	19.1			3.56	90.4			1.80	45.8		
FMF1616UAFFN - 1	1	25.4	1	25.4	0.875	22.23	3.83	97.2						



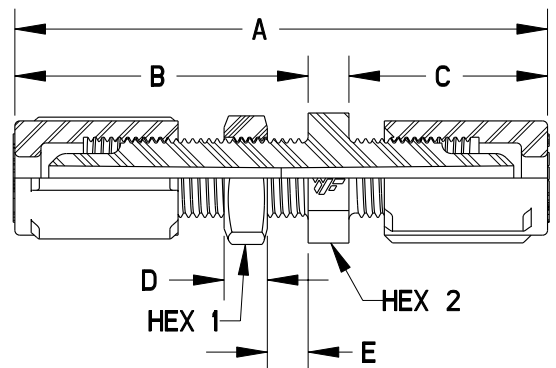
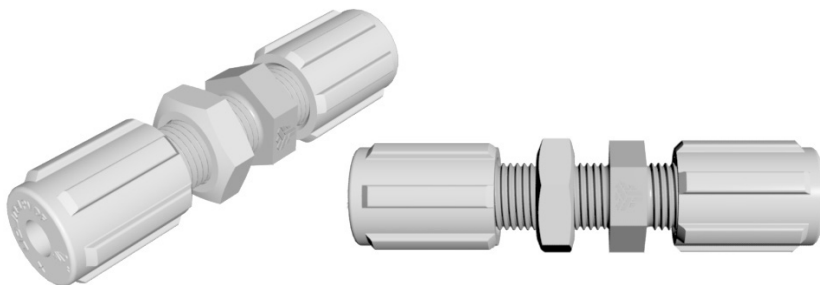
FURON® UAMP - UNION ADAPTER MALE PANEL

Description	Tube Size		Male NTP	Orifice		A		B		C		D		E Max		HEX 1		HEX 2		
	in	mm		in	mm	in	mm	in	mm	in	mm	in	mm	in	mm	in	mm	in	mm	
FMF42UAMPN - 1	1/4	6.4	1/8	0.150	3.81	2.60	66.0	1.80	45.6								0.75	19.1	0.63	16.0
FMF44UAMPN - 1			1/4																0.69	17.5
FMF66UAMPN - 1	3/8	9.5	3/8	0.250	6.35	2.73	69.4	1.93	49.1	0.55	14.0						0.94	23.9	0.81	20.6
FMF84UAMPN - 1	1/2	12.7	1/4	0.302	7.67	2.87	73.0	2.07	52.7	0.27	6.7	0.25	6.4							
FMF86UAMPN - 1			3/8	0.375	9.53															
FMF88UAMPN - 1			1/2			2.99	76.0													
FMF128UAMPN - 1			3/4	19.1	1/2	0.546	13.87	3.30	83.9											
FMF1212UAMPN - 1	3/4	0.625	15.88																	
FMF1612UAMPN - 1	1	25.4	3/4	0.742	18.85	3.40	86.4	2.48	63.1								1.75	44.5	1.44	36.6
FMF1616UAMPN - 1			1	0.875	22.23															



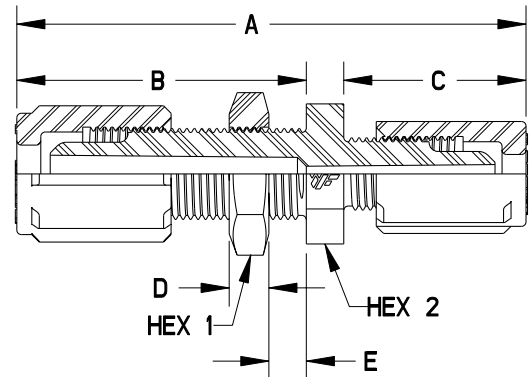
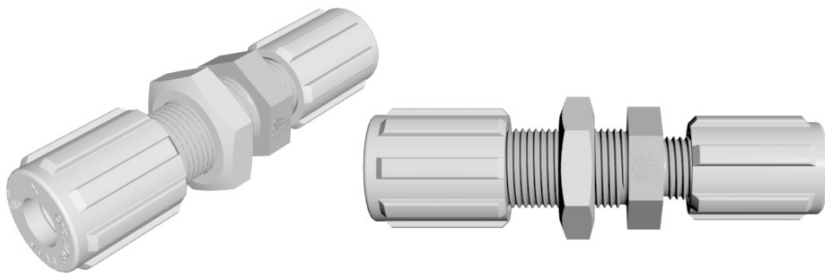
FURON® SUP - STRAIGHT UNION PANEL

Description	Tube Size		Orifice		A		B		C		D		E Max		HEX 1		HEX 2	
	in	mm	in	mm	in	mm	in	mm	in	mm	in	mm	in	mm	in	mm	in	mm
FMF4SUPN - 1	1/4	6.4	0.150	3.81	3.26	82.9	1.80	45.6	1.22	30.9							0.69	17.5
FMF6SUPN - 1	3/8	9.5	0.250	6.35	3.50	88.8	1.93	49.1	1.31	33.4							0.81	20.6
FMF8SUPN - 1	1/2	12.7	0.375	9.53	3.68	93.4	2.07	52.7	1.35	34.4	0.27	6.7	0.25	6.4	0.75	19.1	0.94	23.9
FMF12SUPN - 1	3/4	19.1	0.625	15.88	4.16	105.6	2.38	60.5	1.52	38.7							1.19	30.2
FMF16SUPN - 1	1	25.4	0.875	22.23	4.51	114.5	2.48	63.1	1.77	45.0							1.75	44.5



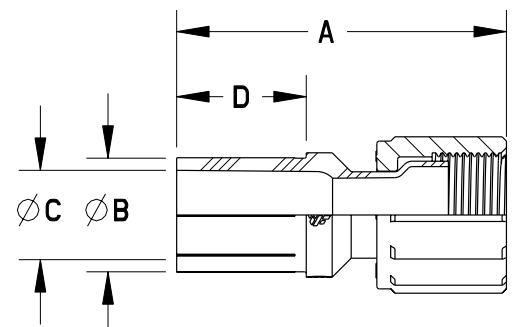
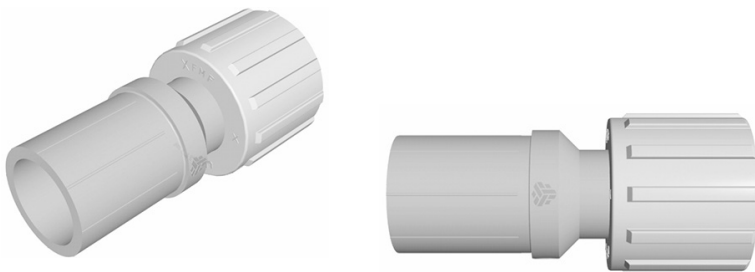
FURON® SUPR - STRAIGHT UNION PANEL REDUCER

Description	Tube Size		Tube Size		Orifice		A		B		C		D		E Max		HEX 1		HEX 2	
	in	mm	in	mm	in	mm	in	mm	in	mm	in	mm	in	mm	in	mm	in	mm	in	mm
FMF64SUPRN - 1	3/8	9.5	1/4	6.4	0.125	3.18	3.40	86.4	1.93	49.1	1.22	30.9	0.27	6.7	0.25	6.4	0.94	23.9	0.81	20.6
FMF84SUPRN - 1	1/2	12.7					3.54	89.9	2.07	52.7							1.06	26.9	0.94	23.9
FMF86SUPRN - 1			3/8	9.5	0.250	6.35	3.64	92.4	1.31	33.4	1.31	33.4	1.19	30.2						
FMF128SUPRN - 1	3/4	19.1	1/2	12.7	0.375	9.53	3.99	101.2	2.38	60.5	1.35	34.4	1.75	44.5	1.75"	44.5				
FMF1612SUPRN - 1	1	25.4	3/4	19.1	0.625	15.88	4.24	107.7	2.48	63.1	1.51	38.3								



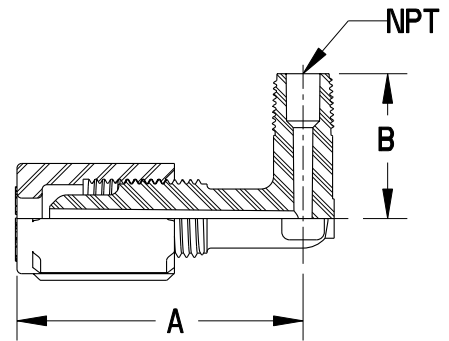
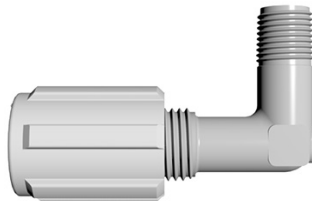
FURON® UAFF - UNION ADAPTER FEMALE FLARE (FUSEBOND™)

Description	Tube Size FF		Nominal Pipe Size by Schedule 40		A		ØB		ØC		D	
	in	mm	in	mm	in	mm	in	mm	in	mm	in	mm
FBUA - 4FF4N - 1	1/4	6.4	1/4	2.34	59.5	0.540	13.72	0.354	8.99	0.50	12.7	
FBUA - 8FF8N - 1	1/2	12.7	1/2	3.39	86.2	0.840	21.34					
FBUA - 8FF12N - 1			3/4	3.50	88.8	1.050	26.67	0.809	20.55			
FBUA - 12FF8N - 1	3/4	19.1	1/2	3.44	87.4	0.840	21.34	0.607	15.42	1.50	38.1	
FBUA - 12FF12N - 1			3/4	90.1	90.1	1.050	26.67	0.809	20.55			
FBUA - 12FF16N - 1	1	25.4	1	93.4	93.4	1.315	33.40	1.034	26.26			
FBUA - 16FF12N - 1			3/4	3.69	93.6	1.050	26.67	0.809	20.55			
FBUA - 16FF16N - 1	1	25.4	1	3.82	97.0	1.315	33.40	1.034	26.26			
FBUA - 16FF24N - 1			1-1/2	4.11	104.4	1.900	48.26	1.610	40.89			
FBUA - 16FF32N - 1	2	4.35	110.4	2.375	60.33	2.052	52.12					



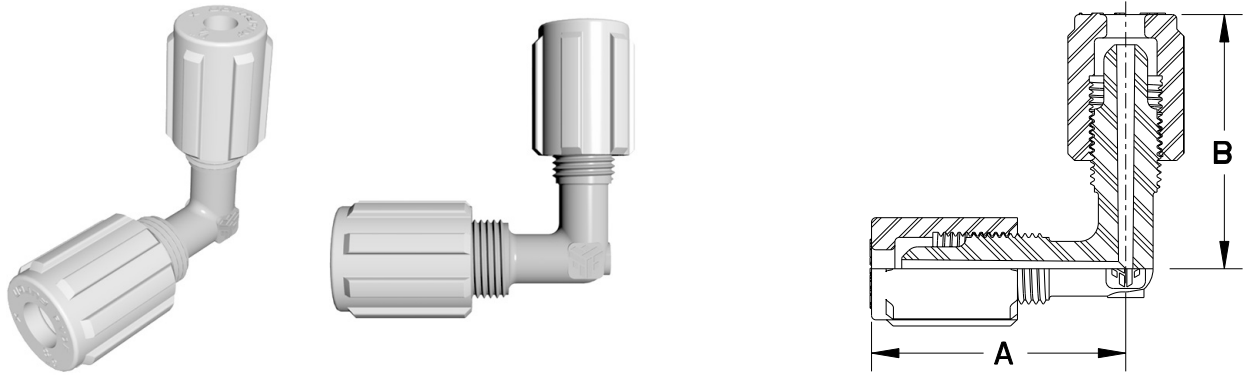
FURON® EAM - ELBOW ADAPTER MALE

Description	Tube Size		Male NPT		Orifice		A		B	
	in	mm	in	mm	in	mm	in	mm	in	mm
FMF42EAMN - 1	1/4	6.4	1/8	3.2	0.125	3.18	1.82	46.2	0.92	23.4
FMF44EAMN - 1			1/4	6.4					1.12	28.4
FMF46EAMN - 1			3/8	9.5					1.31	33.3
FMF48EAMN - 1			1/2	12.7					1.36	34.5
FMF62EAMN - 1	3/8	9.5	1/8	3.2	0.200	5.08	1.95	49.6	0.97	24.6
FMF64EAMN - 1			1/4	6.4	0.250	6.35			1.18	30.0
FMF66EAMN - 1			3/8	9.5					1.36	34.5
FMF68EAMN - 1			1/2	12.7					1.96	49.9
FMF612EAMN - 1			3/4	19.1					2.17	55.2
FMF84EAMN - 1	1/2	12.7	1/4	6.4			0.290	7.37	2.09	53.2
FMF86EAMN - 1			3/8	9.5	0.375	9.53	1.42	36.1		
FMF88EAMN - 1			1/2	12.7			2.26	57.5		
FMF812EAMN - 1			3/4	19.1			2.44	62.1		
FMF128EAMN - 1	3/4	19.1	1/2	12.7			0.540	13.72	2.45	62.3
FMF1212EAMN - 1			3/4	19.1	0.625	15.88	1.78	45.2		
FMF1216EAMN - 1			1	25.4	2.72	69.2				
FMF1612EAMN - 1	1	25.4	3/4	19.1	0.660	16.76	2.80	71.2	1.82	46.2
FMF1616EAMN - 1			1	25.4	0.875	22.23			3.00	76.3



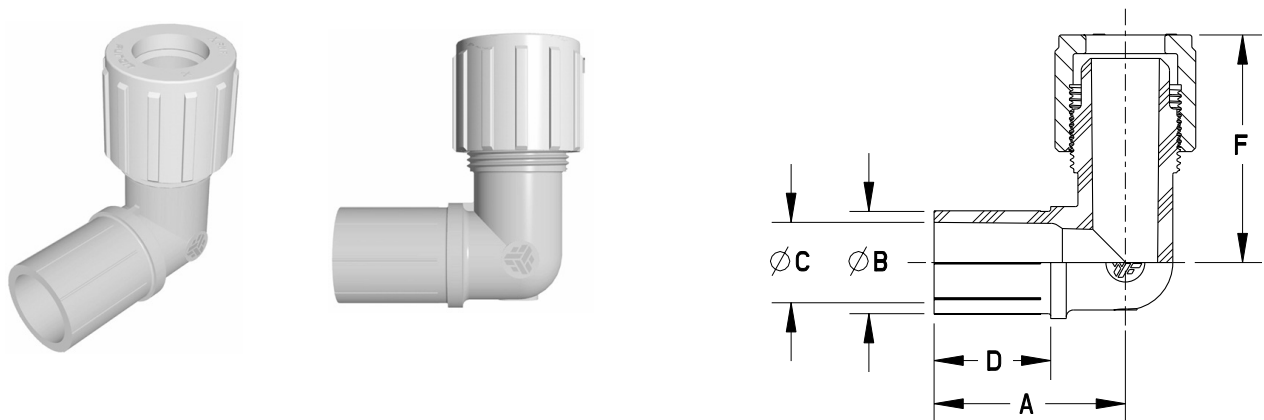
FURON® UE - UNION ELBOW

Description	Tube Size		Orifice		A		B	
	in	mm	in	mm	in	mm	in	mm
FMF4UEN - 1	1/4	6.4	0.125	3.18	1.74	44.2	1.74	44.2
FMF6UEN - 1	3/8	9.5	0.250	6.35	1.89	48.1	1.89	48.1
FMF8UEN - 1	1/2	12.7	0.375	9.53	2.06	52.4	2.06	52.4
FMF12UEN - 1	3/4	19.1	0.625	15.88	1.74	44.2	1.74	44.2
FMF16UEN - 1	1	25.4	0.875	22.23	2.80	71.2	2.80	71.2



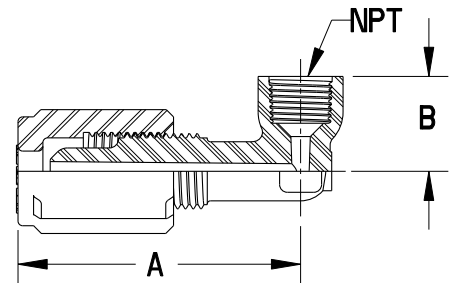
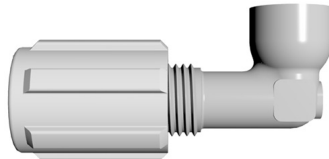
FURON® ETA - ELBOW TUBE ADAPTER

Description	Tube Size		Nominal Pipe Size by Schedule 40	A		ØB		ØC		D		F	
	in	mm		in	mm	in	mm	in	mm	in	mm	in	mm
FBETA - 4F4N - 1	1/4	6.4	1/4	1.08	27.4	0.540	13.716	0.354	8.99	0.50	12.7	1.99	50.6
FBETA - 8F8N - 1	1/2	12.7	1/2	2.20	55.9	0.840	21.336	0.607	15.42	1.50	38.1	2.51	63.8
FBETA - 8F12N - 1			3/4	2.23	56.6	1.050	26.670	0.809	20.55			2.54	64.6
FBETA - 12F8N - 1	3/4	19.1	1/2	2.20	55.9	0.840	21.336	0.607	15.42			2.57	65.3
FBETA - 12F12N - 1			3/4	2.35	59.7	1.050	26.670	0.809	20.55	2.73	69.3		
FBETA - 12F16N - 1	1/2	12.7	1	2.46	62.5	1.315	33.401	1.034	26.26	2.93	74.3		
FBETA - 16F16N - 1	1	25.4				1-1/2	2.44	61.9	1.900			48.260	1.610
FBETA - 16F24N - 1			3/4	2.35	59.7	1.050	26.670	0.809	20.55	2.90	73.7		
FBETA - 16F12N - 1			2	25.4	2.50	63.5	2.375	60.325	2.052	52.12	3.42	86.8	
FBETA - 16F32N - 1													



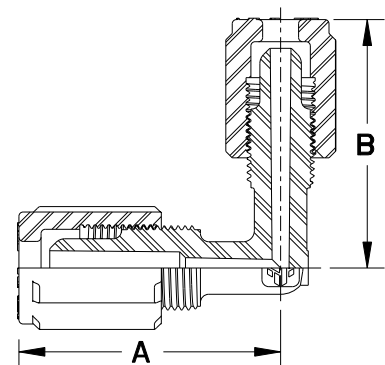
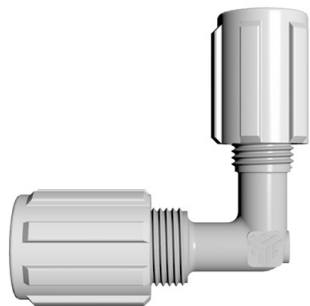
FURON® EAF - ELBOW ADAPTER FEMALE

Description	Tube Size		Female NTP		Orifice		A		B	
	in	mm	in	mm	in	mm	in	mm	in	mm
FMF42EAFN - 1	1/4	6.4	1/8	3.2	0.125	3.18	1.82	46.2	0.61	15.5
FMF44EAFN - 1			1/4	6.4					0.88	22.4
FMF64EAFN - 1	3/8	9.5	1/4	6.4	0.250	6.35	1.96	49.9	0.85	21.6
FMF66EAFN - 1			3/8	9.5					0.91	23.1
FMF68EAFN - 1			1/2	12.7					0.875	22.23
FMF84EAFN - 1	1/2	12.7	1/4	6.4	0.375	9.53	2.09	53.2	0.88	22.4
FMF86EAFN - 1			3/8	9.5					1.00	25.4
FMF88EAFN - 1			1/2	12.7					1.25	31.8
FMF1616EAFN - 1	1	25.4	1	25.4	0.875	22.23	3.00	76.3	1.50	38.1



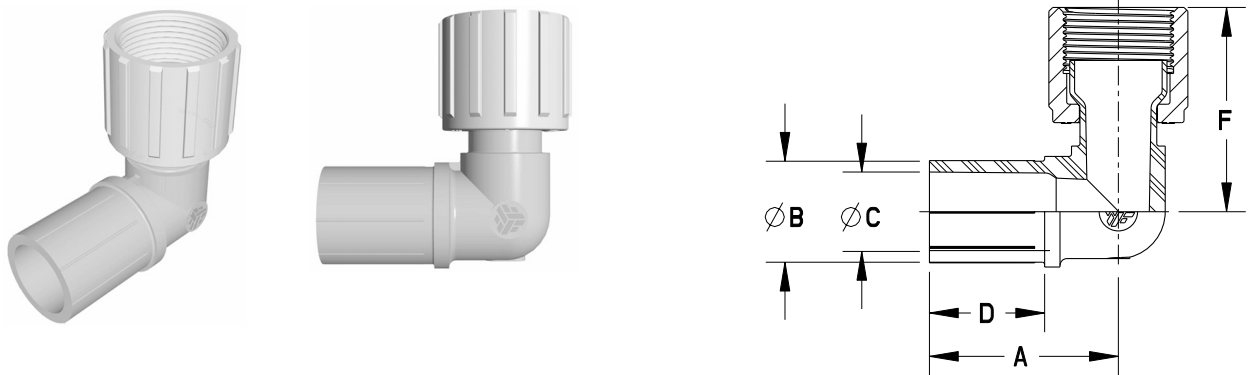
FURON® UER - UNION ELBOW REDUCER

Description	Tube Size		Tube Size		Orifice		A		B	
	in	mm	in	mm	in	mm	in	mm	in	mm
FMF64UERN - 1	3/8	9.5	1/4	6.4	0.150	3.81	1.89	48.1	1.80	45.6
FMF84UERN - 1	1/2	12.7								
FMF86UERN - 1			3/4	19.1	1/4	6.4	0.150	3.81	2.31	58.8
FMF124UERN - 1	3/8	9.5			0.250	6.35	1.80	45.6		
FMF126UERN - 1	1/2	12.7			0.375	9.53	2.06	52.4		
FMF1612UERN - 1	1	25.4	3/4	19.1	0.625	15.88	2.80	71.2	2.31	58.8



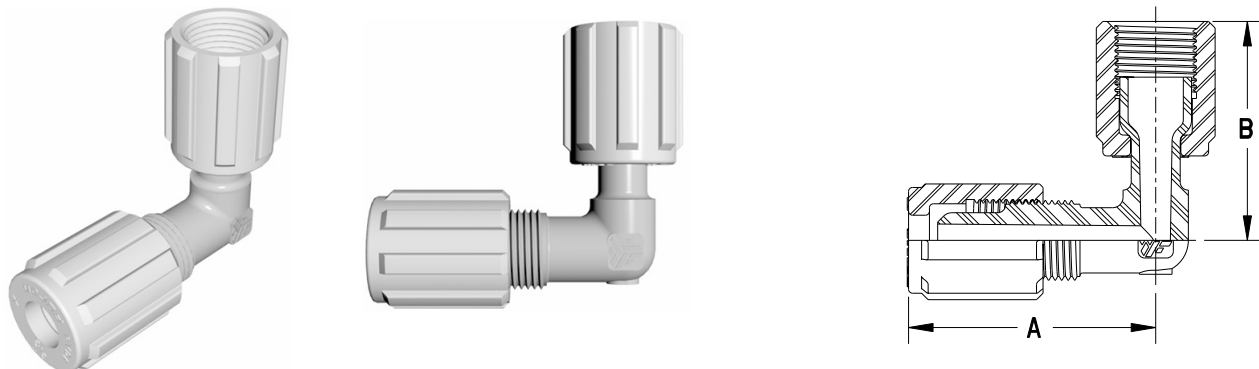
FURON® ETAFF - ELBOW TUBE ADAPTER FEMALE FLARE (FF)

Description	Tube Size FF		Nominal Pipe Size by Schedule 40	A		ØB		ØC		D		F	
	in	mm		in	mm	in	mm	in	mm	in	mm	in	mm
FBETA - 4FF4N - 1	1/4	6.4	1/4	1.08	27.4	0.540	13.716	0.354	8.99	0.50	12.7	1.82	46.1
FBETA - 8FF8N - 1	1/2	12.7	1/2	2.20	55.9	0.840	21.336	0.607	15.42	1.50	38.1	2.02	51.3
FBETA - 8FF12N - 1			3/4	2.23	56.6	1.050	26.670	0.809	20.55			2.05	52.1
FBETA - 12FF12N - 1	3/4	19.1	3/4	2.35	59.7	1.315	33.401	1.034	26.26			2.22	56.4
FBETA - 12FF16N - 1				1	2.46							62.5	2.39
FBETA - 16FF16N - 1	1	25.4	1-1/2	2.44	61.9	1.900	48.260	1.610	40.89			2.66	67.6
FBETA - 16FF24N - 1			2	2.50	63.5	2.375	60.325	2.052	52.12			2.94	74.7
FBETA - 16FF32N - 1			2	2.50	63.5	2.375	60.325	2.052	52.12			3.15	80.0
FBETA - 12FF8N - 1	3/4	19.1	1/2	2.20	55.9	0.845	21.46	0.607	15.42				
FBETA - 16FF12N - 1	1	25.4	3/4	2.35	59.7	1.055	26.80	0.809	20.55			2.66	67.4



FURON® UEFF - UNION ELBOW FEMALE FLARE

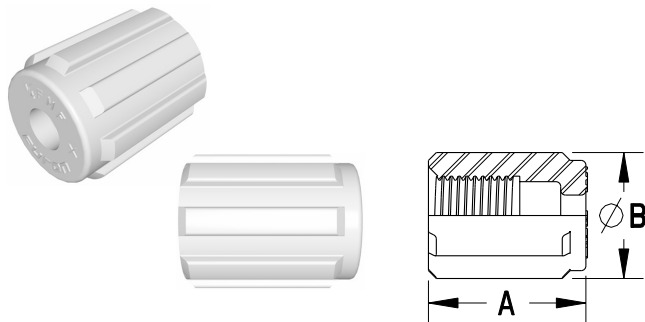
Part Number	Tube Size		Orifice		A		B	
	in	mm	in	mm	in	mm	in	mm
FMF6FFUEN - 1	3/8	9.5	0.250	6.35	1.89	48.1	1.68	42.6
FMF8FFUEN - 1	1/2	12.7	0.375	9.53	2.06	52.4	1.80	45.7
FMF12FFUEN - 1	3/4	19.1	0.625	15.88	2.31	58.8	2.13	54.1
FMF16FFUEN - 1	1	25.4	0.875	22.23	2.80	71.2	2.64	67.1



Furon® FlareGrip® II Fittings

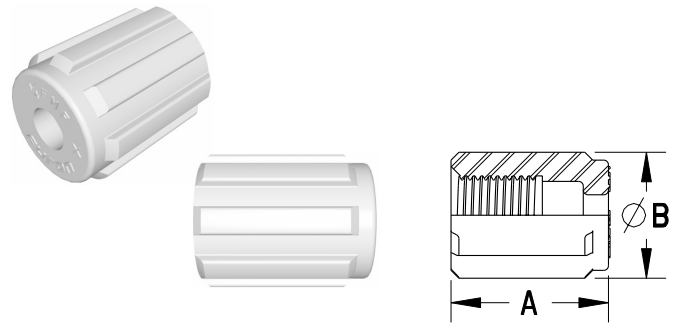
FURON® PVDF NUT

Description	Tube Size		A		ØB	
	in	mm	in	mm	in	mm
FMF4N - 1	1/4	6.4	1.01	25.6	0.81	20.5
FMF6N - 1	3/8	9.5	1.15	29.2	0.93	23.6
FMF8N - 1	1/2	12.7	1.14	28.9	1.05	26.6
FMF12N - 1	3/4	19.1	1.27	32.2	1.35	34.2
FMF16N - 1	1	25.4	1.52	38.7	1.83	46.4



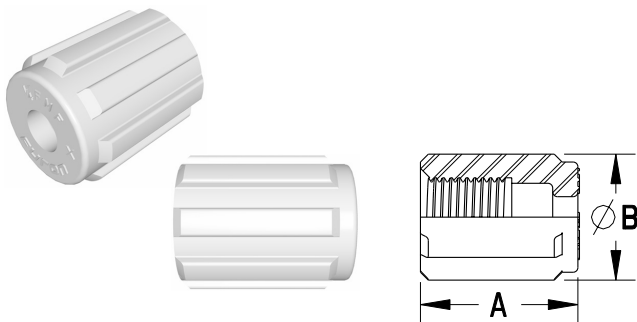
FURON® ETFE NUT

Description	Tube Size		A		ØB	
	in	mm	in	mm	in	mm
FMF4N - 2	1/4	6.4	1	25.4	0.8	20.5
FMF6N - 2	3/8	9.5	1.13	28.7	0.91	23.6
FMF8N - 2	1/2	12.7	1.14	28.9	1.03	26.6
FMF12N - 2	3/4	19.1	1.27	31.5	1.33	34.2
FMF16N - 2	1	25.4	1.5	38.1	1.81	46.4



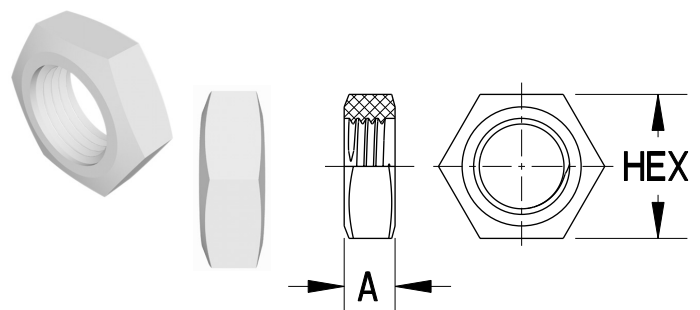
FURON® PFA NUT

Description	Tube Size		A		ØB	
	in	mm	in	mm	in	mm
FMF4N - 3	1/4	6.4	1.00	25.4	0.83	21.1
FMF6N - 3	3/8	9.5	1.13	28.7	0.94	23.9
FMF8N - 3	1/2	12.7	1.14	28.9	1.07	1.27.2
FMF12N - 3	3/4	19.1	1.24	31.5	1.41	35.8
FMF16N - 3	1	25.4	1.50	38.1	1.89	48.0



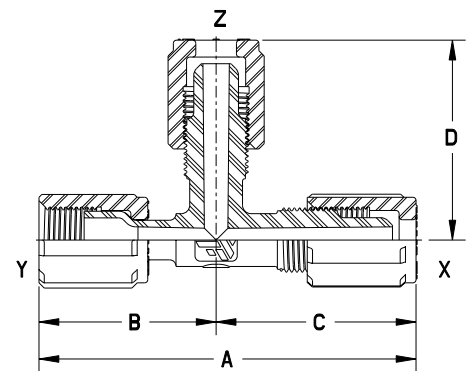
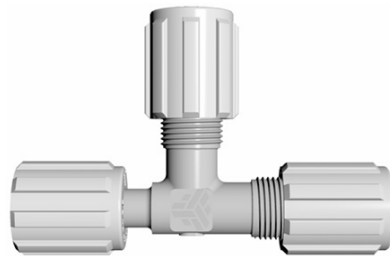
FURON® PVDF PANEL NUT

Description	Tube Size		A		HEX	
	in	mm	in	mm	in	mm
FMF4PN	1/4	6.4	0.75	19.1	0.27	6.7
FMF6PN	3/8	9.5	0.94	23.9		
FMF8PN	1/2	12.7	1.06	26.9		
FMF12PN	3/4	19.1	1.31	33.3		
FMF16PN	1	25.4	1.75	44.5		



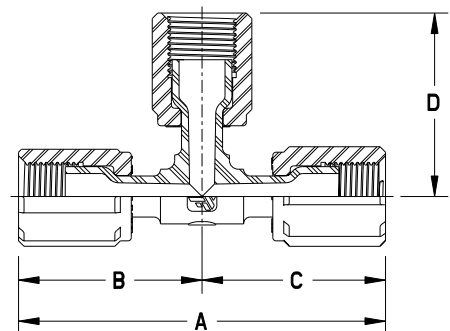
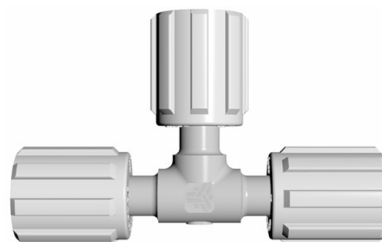
FURON® UTFF I - UNION TEE FEMALE FLARE I

Description	Tube Size			Orifice		A		B		C		D	
	X	Y	Z	in	mm	in	mm	in	mm	in	mm	in	mm
FMF66FF4UTFFN - 1	3/8	3/8	1/4	0.150	3.81	3.57	90.7	1.68	42.6	1.89	48.1	1.80	45.6
FMF66FF6UTFFN - 1	3/8	3/8	3/8	0.250	6.35							1.89	48.1
FMF88FF4UTFFN - 1	1/2	1/2	1/4	0.150	3.81							1.87	47.6
FMF88FF8UTFFN - 1	1/2	1/2	1/2	0.375	9.53	3.86	98.1	1.80	45.7	2.06	52.4	2.06	52.4
FMF128FF12UTFFN - 1	3/4	1/2	3/4			4.24	107.6	1.92	48.9				2.31
FMF1212FF6UTFFN - 1	3/4	3/4	3/8	0.250	6.35					2.31	58.8	2.17	55.2
FMF1212FF12UTFFN - 1	3/4	3/8	3/8	0.625	15.88	4.44	112.8	2.13	54.1			2.31	58.8
FMF1616FF16UTFFN - 1	1	1	1	0.875	22.23	5.43	138.0	2.63	66.8	2.80	71.2	2.80	71.2



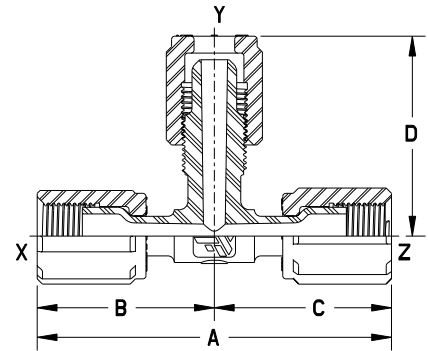
FURON® UTFF III - UNION TEE FEMALE FLARE III

Description	Tube Size		Orifice		A		B		C		D	
	in	mm	in	mm	in	mm	in	mm	in	mm	in	mm
FMF6UTFFN - 1	3/8	9.5	0.250	6.35	3.35	85.2	1.68	42.6	1.68	42.6	1.68	42.6
FMF8UTFFN - 1	1/2	12.7	0.375	9.53	3.60	91.4	1.80	45.7	1.80	45.7	1.80	45.7
FMF12UTFF - 1	3/4	19.1	0.625	15.88	4.26	108.2	2.13	54.1	2.13	54.1	2.13	54.1
FMF16UTFF - 1	1	25.4	0.875	22.23	5.26	133.6	2.63	66.8	2.63	66.8	2.63	66.8



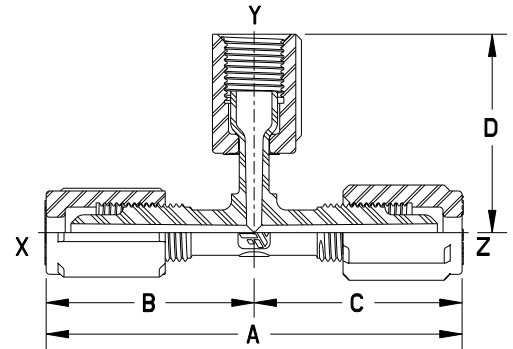
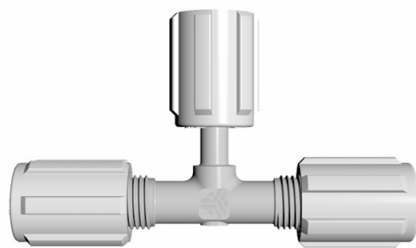
FURON® UTRFF I - UNION TEE REDUCER FEMALE FLARE I

Description	Tube Size			Orifice		A		B		C		D	
	X	Y	Z	in	mm	in	mm	in	mm	in	mm	in	mm
	in	in	in	in	mm	in	mm	in	mm	in	mm	in	mm
FMF6FF66FFUTRFFN - 1	3/8	3/8	3/8	0.250	6.35	3.36	85.2	1.68	42.6	1.68	42.6	1.89	48.1
FMF8FF88FFUTRFFN - 1	1/2	1/2	1/2	0.375	9.53	3.60	91.4	1.80	44.7	1.80	44.7	2.06	52.4
FMF8FF128FFUTRFFN - 1	1/2	3/4	1/2	0.625	15.88	4.26	108.2	2.13	54.1	2.13	54.1	2.31	58.8
FMF12FF1212FFUTRFFN - 1	3/4	3/4	3/4									2.31	58.8



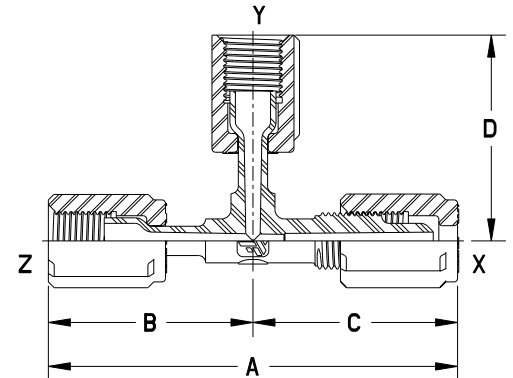
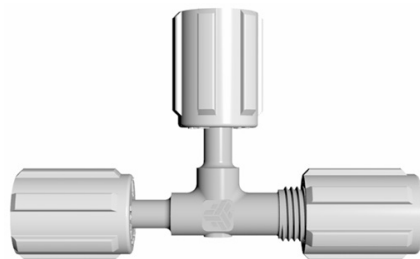
FURON® UTRFF II - UNION TEE REDUCER FEMALE FLARE II

Description	Tube Size			Orifice		A		B		C		D	
	X	Y	Z	in	mm	in	mm	in	mm	in	mm	in	mm
	in	in	in	in	mm	in	mm	in	mm	in	mm	in	mm
FMF44FF4UTRFFN - 1	1/4	1/4	1/4	0.150	3.81	3.49	88.7	1.75	44.4	1.75	44.4	1.67	42.3
FMF64FF6UTRFFN - 1	3/8	1/4	3/8			3.79	96.2	1.89	48.1	1.89	48.1	1.73	43.9
FMF88FF8UTRFFN - 1	1/2	1/2	1/2	0.375	9.53	4.13	104.8	2.06	52.4	2.06	52.4	1.80	45.7
FMF124FF12UTRFFN - 1	3/4	1/4	3/4	0.150	3.81	4.63	117.5	2.31	58.8	2.31	58.8	1.92	48.7
FMF128FF12UTRFFN - 1	3/4	1/2	3/4	0.375	9.53							1.89	48.1
FMF1212FF12UTRFFN - 1	3/4	3/4	3/4	0.625	15.88	4.26	108.2	2.13	54.1	2.13	54.1	2.31	58.8



FURON® UTRFF III - UNION TEE REDUCER FEMALE FLARE III

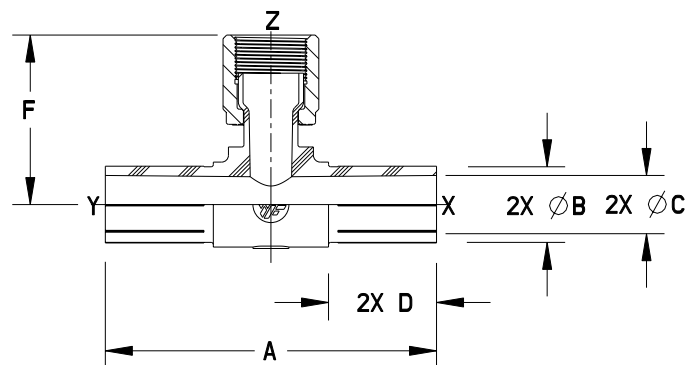
Description	Tube Size			Orifice		A		B		C		D	
	X	x	Y	x	Z	in	mm	in	mm	in	mm	in	mm
	in	in	in	in	in	mm	mm	in	mm	in	mm	in	mm
FMF44FF4FFUTRFFN - 1	1/4	1/4	1/4	0.150	3.81	3.49	88.7	1.75	44.4	1.75	44.4	1.76	44.6
FMF88FF8FFUTRFFN - 1	1/2	1/2	1/2	0.375	9.53	3.86	98.1	1.80	45.7	2.06	52.4	1.80	45.7
FMF128FF12FFUTRFFN - 1	3/4	1/2	3/4			4.44	112.7						
FMF812FF12FFUTRFFN - 1	3/4	3/4	1/2	0.625	15.88	4.19	106.4	2.12	54.0	2.06	52.4	2.12	54.0
FMF1212FF12FFUTRFFN - 1	3/4	3/4	3/4			4.44	112.7						



FURON® BTFF - BRANCH TEE FEMALE FLARE (FUSEBOND™)

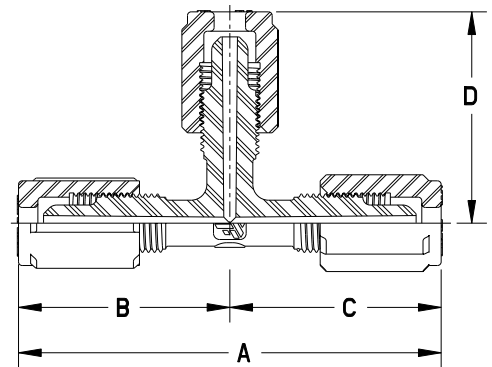
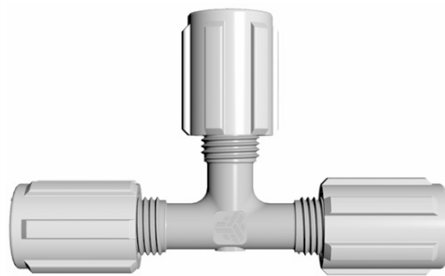
Description	Pipe x Pipe** x Tube			Orifice		A		ØB		ØC		D		F	
	X	x	Y	x	Z	in	mm	in	mm	in	mm	in	mm	in	mm
	in	in	in	in	in	mm	mm	in	mm	in	mm	in	mm	in	mm
FBBT-888FFN - 1	1/2	1/2	1/2	0.375	9.53	4.60	116.8	0.840	21.34	0.607	15.42	1.50	38.1	2.16	55.0
FBBT-121212FFN - 1	3/4	3/4	3/4	0.625	15.88			1.050	26.67	0.809	20.55			2.57	65.3
FBBT-121216FFN - 1	3/4	3/4	1	0.809	20.55	4.92	125.0							2.76	70.2

** Nominal by Schedule 40



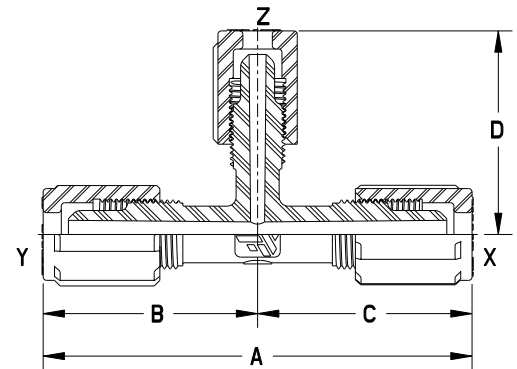
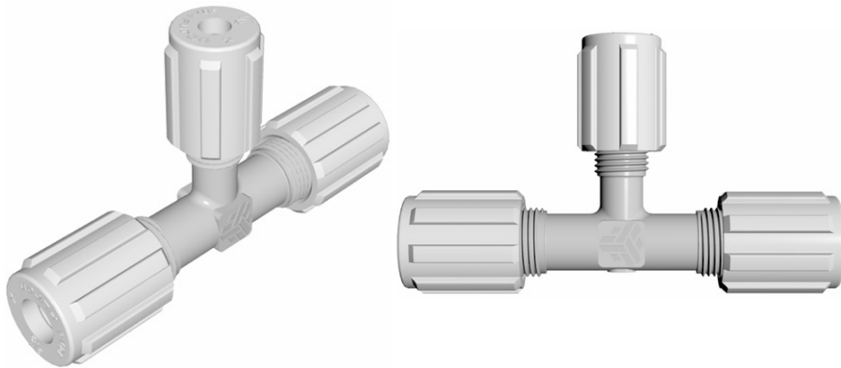
FURON® UT - UNION TEE

Description	Tube Size		Orifice		A		B		C		D	
	in	mm	in	mm	in	mm	in	mm	in	mm	in	mm
FMF4UTN - 1	1/4	6.4	0.125	3.18	3.48	88.5	1.74	44.2	1.74	44.2	1.74	44.2
FMF6UTN - 1	3/8	9.5	0.250	6.35	3.79	96.2	1.89	48.1	1.89	48.1	1.89	48.1
FMF8UTN - 1	1/2	12.7	0.375	9.53	4.13	104.8	2.06	52.4	2.06	52.4	2.06	52.4
FMF12UTN - 1	3/4	19.1	0.625	15.88	4.63	117.5	2.31	58.8	2.31	58.8	2.31	58.8
FMF16UTN - 1	1	25.4	0.875	22.23	5.61	142.4	2.80	71.2	2.80	71.2	2.80	71.2



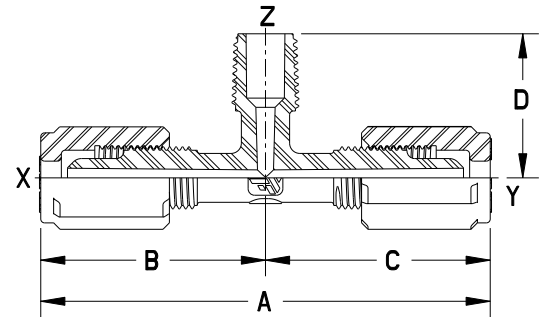
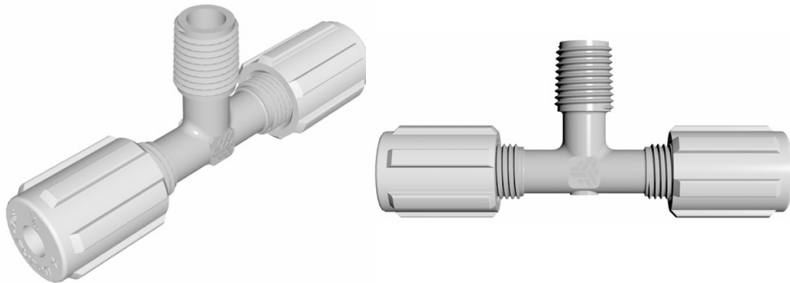
FURON® UTR - UNION TEE REDUCER

Description	Tube Size			Orifice		A		B		C		D	
	X	Y	Z	in	mm	in	mm	in	mm	in	mm	in	mm
FMF646UTRN - 1	3/8	1/4	3/8	0.150	3.81	3.74	95.0	1.85	46.9	1.89	48.1	1.89	48.1
FMF664UTRN - 1	3/8	3/8	1/4			3.79	96.2	1.89	48.1			1.80	45.6
FMF668UTRN - 1	3/8	3/8	1/2	0.250	6.35	4.05	102.8	2.02	51.4	2.02	51.4	2.06	52.4
FMF6612UTRN - 1	3/8	3/8	3/4	0.375	9.53	4.53	115	2.26	57.5	2.26	57.5	2.31	58.8
FMF844UTRN - 1	1/2	1/4	1/4	0.150	3.81	3.81	96.8	2.06	52.4	1.75	44.4	1.75	44.4
FMF848UTRN - 1	1/2	1/4	1/2			3.91	99.3	1.85	46.9			2.06	52.4
FMF866UTRN - 1	1/2	3/8	3/8	0.250	6.35	3.96	100.5	2.06	52.4	1.89	48.1	1.89	48.1
FMF884UTRN - 1	1/2	1/2	1/4	0.150	3.81	4.13	104.8			1.86	47.2		
FMF886UTRN - 1	1/2	1/2	3/8	0.250	6.35			2.06	52.4	1.95	49.6		
FMF12124UTRN - 1	3/4	3/4	1/4	0.150	3.81	4.63	117.5	2.31	58.8	2.31	58.8	2.01	51.0
FMF16168UTRN - 1	1	1	1/2	0.375	9.53	5.61	142.4	2.80	71.2	2.80	71.2	2.45	62.3
FMF161612UTRN - 1	1	1	3/4	0.875	22.23	5.43	138.0	2.63	66.8	2.80	71.2	2.80	71.2
FMF1248UTRN - 1	3/4	1/4	1/2	0.150	3.81	4.07	103.4	1.76	44.6	2.31	58.8	1.96	49.9
FMF1288UTRN - 1	3/4	1/2	1/2	0.375	9.53	4.38	111.2	2.31	58.8	2.06	52.4	2.06	52.4
FMF12812UTRN - 1	3/4	1/2	3/4			4.52	114.7	2.20	56.0	2.31	58.8	2.31	58.8



FURON® MBT - MALE BRANCH TEE

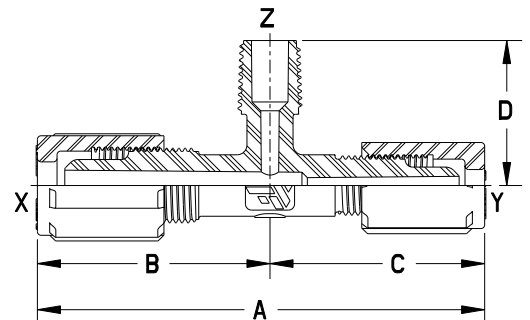
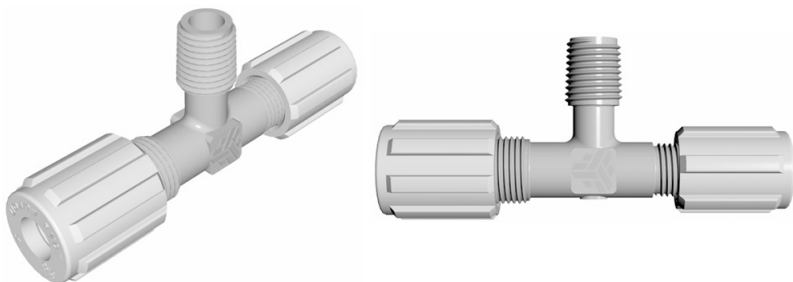
Description	Tube Size (NPT)			Orifice		A		B		C		D	
	X	Y	Z	in	mm	in	mm	in	mm	in	mm	in	mm
FMF442MBTN - 1	1/4	1/4	1/8	0.150	3.81	3.49	88.7	1.75	44.4	1.75	44.4	0.92	23.4
FMF444MBTN - 1	1/4	1/4	1/4									1.12	28.4
FMF662MBTN - 1	3/8	3/8	1/8	0.188	4.78							0.97	24.6
FMF664MBTN - 1	3/8	3/8	1/4	0.225	5.72	3.79	96.2	1.89	48.1	1.89	48.1	1.18	30.0
FMF666MBTN - 1	3/8	3/8	3/8										
FMF884MBTN - 1	1/2	1/2	1/4	0.250	6.35							1.24	31.5
FMF886MBTN - 1	1/2	1/2	3/8	0.350	8.89	4.13	104.8	2.06	52.4	2.06	52.4		
FMF888MBTN - 1	1/2	1/2	1/2	0.375	9.53							1.42	36.1
FMF12124MBTN - 1	3/4	3/4	1/4	0.150	3.81							1.39	35.3
FMF12128MBTN - 1	3/4	3/4	1/2	0.438	11.13	4.63	117.5	2.31	58.8	2.31	58.8	1.57	39.9
FMF121212MBTN - 1	3/4	3/4	3/4	0.600	15.24								
FMF16164MBTN - 1	1	1	1/4	0.150	3.81	5.61	142.4	2.80	71.2	2.80	71.2	1.63	41.4
FMF161616MBTN - 1	1	1	1	0.850	21.59							2.02	51.3



FURON® MBTR - MALE BRANCH TEE REDUCER

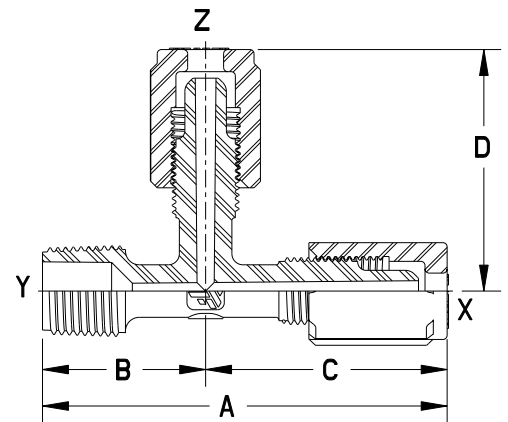
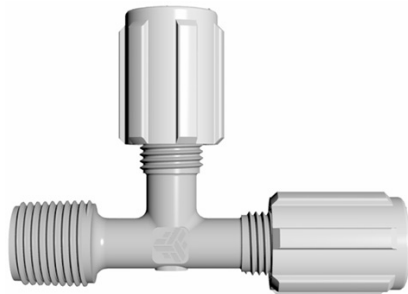
Description	Pipe x Pipe* x Tube (NPT)			Orifice		A		B		C		D	
	X	Y	Z	in	mm	in	mm	in	mm	in	mm	in	mm
FMF644MBTRN - 1	3/8	1/4	1/4	0.150	3.81	3.64	92.5	1.89	48.1	1.75	44.4	1.18	30.0
FMF646MBTRN - 1	3/8	1/4	3/8										
FMF866MBTRN - 1	1/2	3/8	3/8	0.250	6.35	3.96	100.5	2.06	52.4	1.89	48.1	1.42	35.1
FMF848MBTRN - 1	1/2	1/4	1/2	0.150	3.81	3.81	96.8	2.06	52.4	1.75	44.4		
FMF868MBTRN - 1	1/2	3/8	1/2	0.250	6.35	3.96	100.5	2.06	52.4	1.89	48.1		

* Nominal by Schedule 40



FURON® MRT - MALE RUN TEE

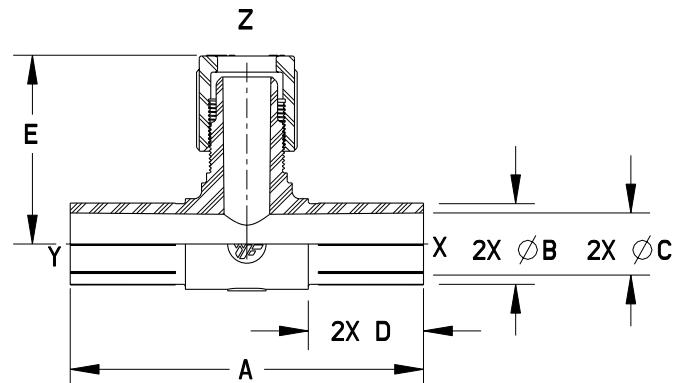
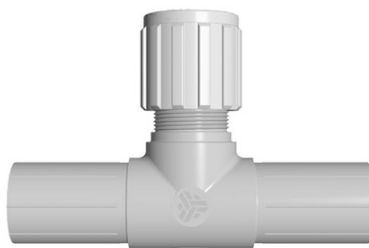
Description	Tube x Male x Tube (NPT)			Orifice		A		B		C		D	
	X	Y	Z	in	mm	in	mm	in	mm	in	mm	in	mm
	in	in	in										
FMF424MRTN - 1	1/4	1/8	1/4			2.67	67.7	0.92	23.4				
FMF444MRTN - 1	1/4	1/4	1/4	0.150	3.81	2.87	72.8	1.12	28.4	1.75	44.4	1.75	44.4
FMF464MRTN - 1	1/4	3/8	1/4			2.93	74.3	1.18	30.0				
FMF626MRTN - 1	3/8	1/8	3/8			2.81	71.5	0.92	23.4				
FMF646MRTN - 1	3/8	1/4	3/8	0.250	6.35	3.01	76.5	1.12	28.4	1.89	48.1	1.89	48.1
FMF666MRTN - 1	3/8	3/8	3/8			3.07	78.1	1.18	30.0				
FMF686MRTN - 1	3/8	1/2	3/8			3.31	84.2	1.42	36.1				
FMF868MRTN - 1	1/2	3/8	1/2	0.375	9.53	3.24	82.4	1.18	30.0	2.06	52.4	2.06	52.4
FMF888MRTN - 1	1/2	1/2	1/2			3.48	88.5	1.42	36.1				
FMF12812MRTN - 1	3/4	1/2	3/4	0.625	15.88	3.73	94.8			2.31	58.8	2.31	58.8
FMF121212MRTN - 1	3/4	3/4	3/4			3.88	98.6	1.57	39.9				



FURON® BT - BRANCH TEE

Description	Pipe x Pipe* x Tube			Orifice		A		ØB		ØC		D		E	
	X	Y	Z	in	mm	in	mm	in	mm	in	mm	in	mm	in	mm
	in	in	in												
FBBT-888FN - 1	1/2	1/2	1/2	0.375	9.53	4.60	116.8	0.840	21.34	0.607	15.42	1.50	38.1	2.22	56.5
FBBT-121212FN - 1	3/4	3/4	3/4	0.625	15.88			1.050	26.67	0.809	20.55			2.32	59.0

* Nominal by Schedule 40





Saint-Gobain Performance Plastics

China (+8621) 5472 1568
Sales.PPLCN@saint-gobain.com

Europe (+33) 3 85 20 27 00
quotes-clm@saint-gobain.com

India (+91) 80 46978888
pplindia.hc@saint-gobain.com

Japan (+81) 3 6256 9703
ls-japan@saint-gobain.com

Korea (+82) 2 6098 0180
LS-Korea@saint-gobain.com

Southeast Asia (+66) 38 667 800
cs.sgplsea@saint-gobain.com

Taiwan (+886) 2 2503 4201
Taiwan.ppl@saint-gobain.com

United States (+1) 800-833-5661
gardengrovequoteteam@saint-gobain.com

All Other Regions
www.furon.com

NOTE: This document is intended to provide information about the product to enable you to consider whether generally the Product meets your application need and is not intended to provide product specification. This document should not be considered a Product warranty or guaranty. To the extent this document mentions any tests done by Saint-Gobain, such tests are done under controlled laboratory circumstances and hence other factors in your use and application may impact such values. Saint-Gobain strongly recommends that you conduct practical tests simulating the conditions of your application to ensure that the product meets your requirements for your specific application

Furon®, FlareGrip® and FuseBond™ are registered trademarks of Saint-Gobain Performance Plastics.

WARRANTY: Saint-Gobain warrants that the Product will meet specifications at the time of delivery and honor such warranty claims for a period of 18 months after delivery. In the event that you are a distributor purchasing Saint-Gobain Product, any change to specification while in your control as a result of storage conditions or otherwise may cause the above warranty to be voided. THIS IS THE EXCLUSIVE WARRANTY AND IS EXPRESSLY IN LIEU OF ANY AND ALL OTHER OBLIGATIONS, GUARANTEES, WARRANTIES AND REPRESENTATIONS. SAINT-GOBAIN DISCLAIMS ALL IMPLIED WARRANTIES OF MERCHANTABILITY AND FITNESS FOR A PARTICULAR PURPOSE.