



## FURON<sup>®</sup> UPX VALVE

2-WAY MANUAL  
QUARTER-TURN  
1/4, 1/2 & 3/4" ORIFICE

Furon UPX Valves are specifically designed for safe and reliable transfer of highly aggressive chemicals, including concentrated hydrogen fluoride (HF) and hydrogen chloride (HCl). Our proprietary technology protects the valve's working components from degradation due to chemical attacks. The wetted flow path constructed from 100% virgin PFA, assuring compliance with the highest purity standards. Additionally, the UPX Valves are capable of handling a wide variety of abrasive slurries and have a long track record of success in slurry applications.

### APPLICATIONS

It is our position based on our testing that Furon UPX Valves are ideal for use in the semiconductor industry, or other applications, such as Flat Panel, Photovoltaic, and Chemical Processing requiring ultra-high purity and/or superior chemical resistance. You should conduct your own testing to understand its compatibility with your specific application.

Our testing\* has shown among other things that Furon UPX Valves are:

- Designed for use in ultra-pure deionized water and aggressive chemical applications
- Suitable for use in certain abrasive slurry such as SS25
- Compatible with concentrated HF 49% and HCl 37 %

\* The testing results may vary based on other impacting factors

### FEATURES AND BENEFITS

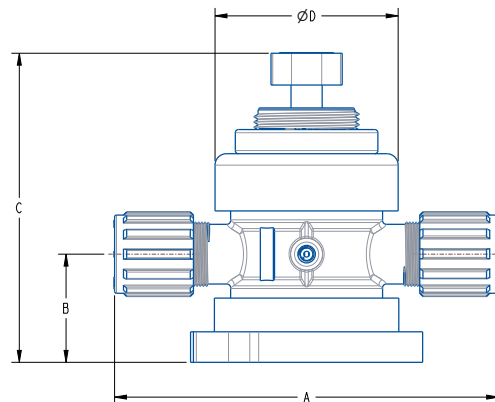
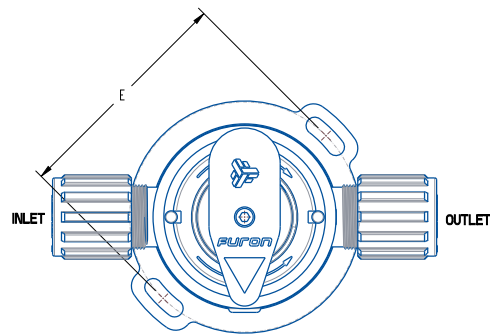
- Superior life expectancy over competitive valves
- Suitable for use in all chemicals, including concentrated HF and HCl
- Suitable for use in abrasive slurries
- 100% virgin PTFE/PFA flow path
- Double diaphragm containment with standard leak detection port
- No exposed metallics
- Integral swivel base for freedom and ease of mounting
- Furon UPX Valve designs have been tested for more than 3 million cycles

# Furon® UPX Valve 2-Way Manual Quarter-Turn

## SPECIFICATIONS

Description	End Connection Type	Orifice		End Connection Size		A		B		C		ØD		E	
		in	mm	in	mm	in	mm	in	mm	in	mm	in	mm	in	mm
UPX2-F44-M	FlareGrip® II					4.30	109.2								
UPX2-744-M	FuseBond™			1/4	6.4	4.90	124.5								
UPX2-S30044-M	Nippon Pillar Super 300®	1/4	6.4			Please contact us		1.38	35.0	4.13	104.9	2.14	54.4	2.70	68.6
UPX2-S30046-M	Nippon Pillar Super 300®			3/8	9.5	Please contact us									
UPX2-F46-M	FlareGrip® II					4.70	119.4								
UPX2-F88-M	FlareGrip® II					5.60	142.3								
UPX2-S30088-M	Nippon Pillar Super 300®			1/2	12.7	Please contact us									
UPX2-788-M	FuseBond™					5.60	142.2								
UPX2-F812-M	FlareGrip® II	1/2	12.7			5.90	149.9	1.70	43.2	5	127.0	2.86	72.6	3.65	92.7
UPX2-S300812-M	Nippon Pillar Super 300®			3/4	19.0	6.94	176.3								
UPX2-7812-M	FuseBond™					Please contact us									
UPX2-F1212-M	FlareGrip® II					6.40	162.6								
UPX2-S3001212-M	Nippon Pillar Super 300®			3/4	19.0	Please contact us									
UPX2-71212-M	FuseBond™					5.90	149.9								
UPX2-F1216-M	FlareGrip® II	3/4	19.0			6.90	175.3	1.90	48.3	5.4	137.2	3.40	86.4	4.20	106.7
UPX2-S3001216-M	Nippon Pillar Super 300®			1	25.4	8.16	207.3								
UPX2-71216-M	FuseBond™					Please contact us									

Tested with HCl for more than 2.1 million cycles and HF for more than 1.1 million cycles



# Furon® UPX Valve

## 2-Way Manual Quarter-Turn

### TECHNICAL SPECIFICATIONS

Operating Pressure	100 psig (6.9 bar) at room temperature			
Back Pressure	100 psig (6.9 bar) at room temperature			
Flow	Orifice	1/4"	1/2"	3/4"
	Cv	0.8	3.2	7.0
Operating Temperature*	Ambient: 149°F (65°C) Media: 230°F (110°C)			
Body	PFA			
Diaphragm	Modified PTFE			
Top Cap	ETFE			

\*[Please contact us](#) for higher temperature >>

\*\*It is recommended to use a FuseBond™ or Nippon Pillar Super 300® connection over a flare fitting for high temperature application

### OPTIONS

- PFA Flare nuts (add -3)
- Other end connection types available. [Please contact us](#) for:
  - FNPT
  - Tube End
  - Others not listed
- High Temperature version is available. [Please contact us](#)



### Saint-Gobain Performance Plastics

**China** (+86) 400 888 0198  
sales.PPSCN@saint-gobain.com

**Europe** (+33) 3 85 20 27 00  
quotes-clm@saint-gobain.com

**India** (+91) 76208 22999  
pplindia.hc@saint-gobain.com

**Japan** (+81) 3 6256 9703  
ls-japan@saint-gobain.com

**Korea** (+82) 2 6098 0180  
LS-Korea@saint-gobain.com

**Southeast Asia** (+66) 38 667 800  
cs.sgplsea@saint-gobain.com

**Taiwan** (+886) 2 2503 4201  
Taiwan.ppl@saint-gobain.com

**United States** (+1) 800-833-5661  
gardengrovequoteteam@saint-gobain.com

**All Other Regions**  
www.furon.com

**NOTE:** This document is intended to provide information about the product to enable you to consider whether generally the Product meets your application need and is not intended to provide product specification. This document should not be considered a Product warranty or guaranty. To the extent this document mentions any tests done by Saint-Gobain, such tests are done under controlled laboratory circumstances and hence other factors in your use and application may impact such values. Saint-Gobain strongly recommends that you conduct practical tests simulating the conditions of your application to ensure that the product meets your requirements for your specific application

Furon®, FlareGrip® II, and FuseBond™ are registered trademarks of Saint-Gobain Performance Plastics.  
Nippon Pillar Super 300® is a registered trademark of Nippon Pillar Packing Co.

**WARRANTY:** Saint-Gobain warrants that the Product will meet specifications at the time of delivery and honor such warranty claims for a period of 30 months after delivery. In the event that you are a distributor purchasing Saint-Gobain Product, any change to specification while in your control as a result of storage conditions or otherwise may cause the above warranty to be voided. THIS IS THE EXCLUSIVE WARRANTY AND IS EXPRESSLY IN LIEU OF ANY AND ALL OTHER OBLIGATIONS, GUARANTEES, WARRANTIES AND REPRESENTATIONS. SAINT-GOBAIN DISCLAIMS ALL IMPLIED WARRANTIES OF MERCHANTABILITY AND FITNESS FOR A PARTICULAR PURPOSE.