



FURON[®] Q-VALVE

2-WAY MANUAL
MULTI-TURN
1/4, 1/2 & 3/4" ORIFICE

The Furon Q-Valve provides a high-performance, cost-effective solution that ensures reliable fluid delivery to critical process applications. Compatible with most common installations, the Furon Q-Valve offers “drop-in” replacement as a valve upgrade in new or existing applications. The Q-valve designed and engineered to allow easy field maintenance with simple actuator and diaphragm replacement for low cost of ownership and superior system uptime.

APPLICATIONS

Furon Q-Valves are ideal for applications that demand ultra-high-purity media handling along with the high quality and performance standards that you expect from Furon valves. Primary applications include ultra-high-purity chemical delivery for semiconductor, photovoltaic, and chemical processing. Furon Q-Valves are also proven to be highly reliable in abrasive slurry applications.

FEATURES AND BENEFITS

- 100% HP PFA and virgin PTFE wetted flow path, Metal-free construction
- Integrated visual position indication
- Bi-directional flow
- Leak detection port (1/4-28 UNF)
- Features integrated “place & turn” mounting base and may be delivered upon request with an additional snap base for optimum installation experience
- Assembled, tested and double-bagged in a cleanroom
- Metal-free construction
- Easy preventive maintenance
- Q-Valves have been tested for more than 3 million cycles on 1/4 & 1/2" orifice pneumatic valves*

* [Please contact us](#) or [review our performance reports for more details](#).

[Please contact us](#) for additional testing information performed on the component.

Furon® Q-Valve Manual Multi-Turn

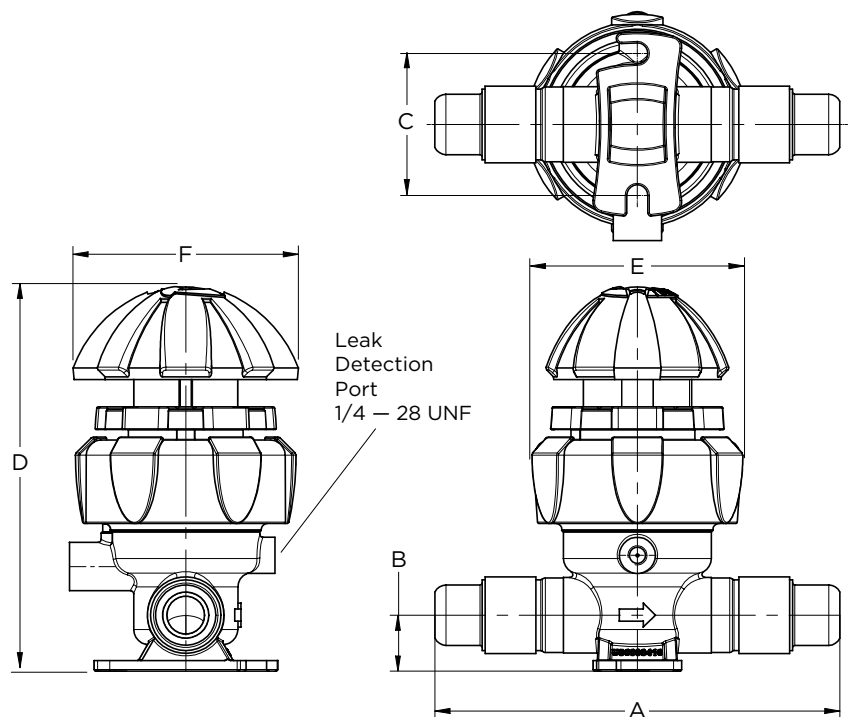
SPECIFICATIONS

Description	End Connection Type	Orifice		End Connection Size		A		B		C		D		E		F		Panel Cutout		Max. Panel Thickness			
		in	mm	in	mm	in	mm	in	mm	in	mm	in	mm	in	mm	in	mm	in	mm	in	mm		
QV2-144-MT	FNPT					2.35	59.7																
QV2-F44-MT	FlareGrip® II					3.59	91.2																
QV2-S30044-MT	Nippon Pillar Super 300®	1/4	6.4	1/4	6.4	2.44	62	0.57	14.5	1.61	40.9	4.38	111.2	2.3	58.4								
QV2-744-MT	FuseBond™											4	101.6									4.63	117.5
QV2-F46-MT	FlareGrip® II											4.13	105										
QV2-S30046-MT	Nippon Pillar Super 300®			3/8	9.5	Please contact us																	
QV2-186-MT	FNPT	1/2	12.7	1/2	12.7	3/8	9.5	2.60	66	0.73	18.5	1.85	47.0	2.9	73.7	2.38	60.5	1.44	36.6	0.45	11.4		
QV2-F88-MT	FlareGrip® II							4.48	113.8														
QV2-S30088-MT	Nippon Pillar Super 300®							3.47	88.1														
QV2-788-MT	FuseBond™			1/2	12.7	4.61	117					5.03	127.7										
QV2-188-MT	FNPT					2.60	66					5.44	138.2										
QV2-F812-MT	FlareGrip® II			3/4	19.1	5.24	133.1																
QV2-S300812-MT	Nippon Pillar Super 300®					Please contact us																	
QV2-F1212-MT	FlareGrip® II					6.09	154.8																
QV2-S3001212-MT	Nippon Pillar Super 300®	3/4	19.1	3/4	19.1	Please contact us		0.95	24.1	2.74	69.5	6.67	169.4	4.2	107	3.45	87.6	N/A	N/A				
QV2-71212-MT	FuseBond™																					7.16	181.9
QV2-F1216-MT	FlareGrip® II											5.71	145										
QV2-71216-MT	FuseBond™			1	25.4	Please contact us																	
QV2-S3001216-MT	Nippon Pillar Super 300®					Please contact us																	

OPTIONS

- PFA flare nuts (add -3)
- Valve directly equipped with base plate (add -100)
- Other connection types:
 - Tube Ends

Please consult our engineers for details.



Furon® Q-Valve

Manual Multi-Turn

TECHNICAL SPECIFICATIONS

	1/4" Orifice	1/2" Orifice	3/4" Orifice
Operating Pressure	80 psig (5.5 bar)		
Back Pressure	80 psig (5.5 bar)		
Flow	C _v 0.8	C _v 3.5	C _v 9.4
Base Plate	1115349	1115706	1115708
Tool Kit	1112226	1112227	1112228
Actuator Repair Kit-NC	1113962	1113966	1113970
Diaphragm Repair Kit	1113974	1113975	1113976
Operating Temperature	Ambient: 0°C to 60°C (32°F to 140°F) Media: 0°C to 95°C (32°F to 203°F)		
Body	High-Purity PFA		
Diaphragm	Modified PTFE		
Actuator Components & Mounting Base	Engineered Plastics		
Sample of Performance Test*	- HCl for more than 2.1 million cycles for pneumatic valve - HF for more than 2.1 million cycles for pneumatic valve - Slurry for more than 1.2 million cycles for pneumatic valve		

Flow is calculated using QV2-F46-NC, QV2-F812-NC and QV2-F1216.
When using smaller orifice connections flow will be reduced accordingly.
Multi and quarter-turn versions are also available.

* [Please contact us](#) or [review our performance reports for more details](#).
[Please contact us](#) for additional testing information performed on the component.



Saint-Gobain Performance Plastics

China (+86) 400 888 0198
sales.PPSCN@saint-gobain.com

Europe (+33) 3 85 20 27 00
quotes-clm@saint-gobain.com

India (+91) 76208 22999
pplindia.hc@saint-gobain.com

Japan (+81) 3 6256 9703
ls-japan@saint-gobain.com

Korea (+82) 2 6098 0180
LS-Korea@saint-gobain.com

Southeast Asia (+66) 38 667 800
cs.sgplsea@saint-gobain.com

Taiwan (+886) 2 2503 4201
Taiwan.ppl@saint-gobain.com

United States (+1) 800-833-5661
gardengrovequoteteam@saint-gobain.com

All Other Regions
www.furon.com

SAINT-GOBAIN LIFE SCIENCES
ELECTRONICS
furon.com



NOTE: This document is intended to provide information about the product to enable you to consider whether generally the Product meets your application need and is not intended to provide product specification. This document should not be considered a Product warranty or guaranty. To the extent this document mentions any tests done by Saint-Gobain, such tests are done under controlled laboratory circumstances and hence other factors in your use and application may impact such values. Saint-Gobain strongly recommends that you conduct practical tests simulating the conditions of your application to ensure that the product meets your requirements for your specific application

Furon®, FlareGrip® and FuseBond™ are registered trademarks of Saint-Gobain Performance Plastics. Nippon Pillar Super 300® is a registered trademark of Nippon Pillar Packing Co.

WARRANTY: Saint-Gobain warrants that the Product will meet specifications at the time of delivery and honor such warranty claims for a period of 18 months after delivery. In the event that you are a distributor purchasing Saint-Gobain Product, any change to specification while in your control as a result of storage conditions or otherwise may cause the above warranty to be voided. THIS IS THE EXCLUSIVE WARRANTY AND IS EXPRESSLY IN LIEU OF ANY AND ALL OTHER OBLIGATIONS, GUARANTEES, WARRANTIES AND REPRESENTATIONS. SAINT-GOBAIN DISCLAIMS ALL IMPLIED WARRANTIES OF MERCHANTABILITY AND FITNESS FOR A PARTICULAR PURPOSE.