



## FURON<sup>®</sup> SUCKBACK VALVE

PNEUMATIC, MOLDED  
1/4 & 1/2" ORIFICE

Furon Suckback Valves create a small vacuum when switching from open back to closed position, allowing it to suck back a predetermined amount of liquid and thereby preventing extra drops of liquid from being dispensed after valve closure. This provides an ideal valve for applications requiring a precise amount of liquid to be dispensed. Based on our time-proven UP valve technology, Furon Suckback Valves offer superior reliability. On select models we offer our proprietary "Strength Corrosion Resistant (SCR)" spring combined with a modified PTFE diaphragm for compatibility with the harshest of process chemicals, including HF and HCl. An adjustment knob on top of the valve allows for easy adjustment of the desired suckback volume.

### APPLICATIONS

- Precise dispensing of chemicals such as photoresist, adhesives, abrasive slurries, and other process critical liquid media
- Dispensing of harsh and aggressive chemistries
- Ozonated water applications (Select models)

### FEATURES AND BENEFITS

- All virgin PTFE/high purity molded PFA wetted flow path
- Eliminates dripping of media from nozzles after dispense cycle
- Adjustable suckback capacity permits precise metering of media
- Repeatability of suckback amount assures identical dispense volume for each cycle
- Suitable for use with ultra high-purity or highly corrosive media
- Innovative Furon SCR spring assures compatibility with HF and HCl
- Suitable for use in ozone applications (select models)

## SPECIFICATIONS

Description	Diaphragm	Spring	End Connection Type	Orifice		End Connection Size		A (Port to Port Dimension)			
				in	mm	in	mm	in	mm		
SBVM-144	PTFE	Standard	FNPT	1/4	6.35	1/4	6.35	3.00	76.20		
SBVM-144-SCR-F6	Modified PTFE	SCR	FNPT					4.30	109.22		
SBVM-F44	PTFE	Standard	FlareGrip® II					4.70	119.38		
SBVM-F44-SCR-F6	Modified PTFE	SCR	FlareGrip® II			3/8	9.52	4.60	116.84		
SBVM-S30044-SCR-F6	Modified PTFE	SCR	Nippon Pillar Super 300®					Please contact us			
SBVM-F46	PTFE	Standard	FlareGrip® II					3.60	94.44		
SBVM-F46-SCR-F6	Modified PTFE	SCR	FlareGrip® II			1/2	12.7	1/2	12.7	5.60	142.24
SBVM-S30046-SCR-F6	Modified PTFE	SCR	Nippon Pillar Super 300®					5.50	139.70		
SBVM-188	PTFE	Standard	FNPT					3/4	19.05	5.90	149.86
SBVM-188-SCR-F6	Modified PTFE	SCR	FNPT	7.20	182.88						
SBVM-F88	PTFE	Standard	FlareGrip® II								
SBVM-F88-SCR-F6	Modified PTFE	SCR	FlareGrip® II								
SBVM-S30088-SCR-F6	Modified PTFE	SCR	Nippon Pillar Super 300®								
SBVM-F812	PTFE	Standard	FlareGrip® II								
SBVM-F812-SCR-F6	Modified PTFE	SCR	FlareGrip® II								
SBVM-S300812-SCR-F6	Modified PTFE	SCR	Nippon Pillar Super 300®								

Note: A dimensions corresponding drawing on following page

## TECHNICAL SPECIFICATIONS

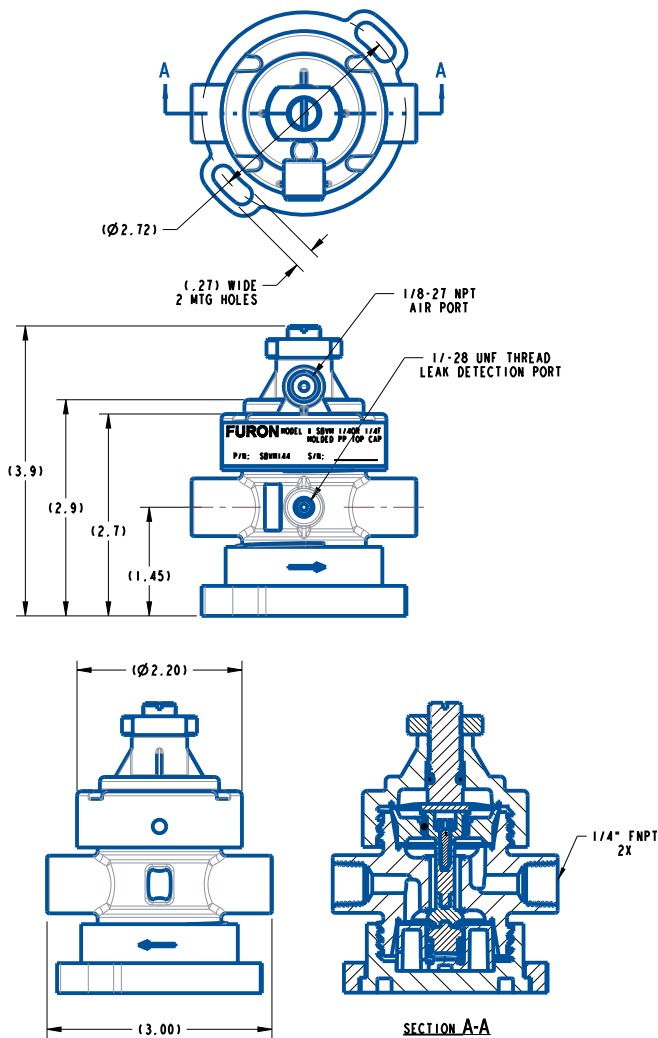
Operating Pressure	60 psig (4.1 bar)
C <sub>v</sub> Flow Factor	0.8 - 3.2
Max. Operating Temperature	Ambient: 122°F (50°C) Media: 212°F (100°C)
Actuator Pressure (pneumatic version)	60 - 90 PSIG (4.1 - 6.2 bar)
Body	PFA
Diaphragm	PTFE or Modified PTFE (-F6 version)
Top Cap	Engineered Thermoplastics
Maximum Suckback Volume	100 µL
Maximum Suckback Height	4 feet (1.2 m)

## OPTIONS

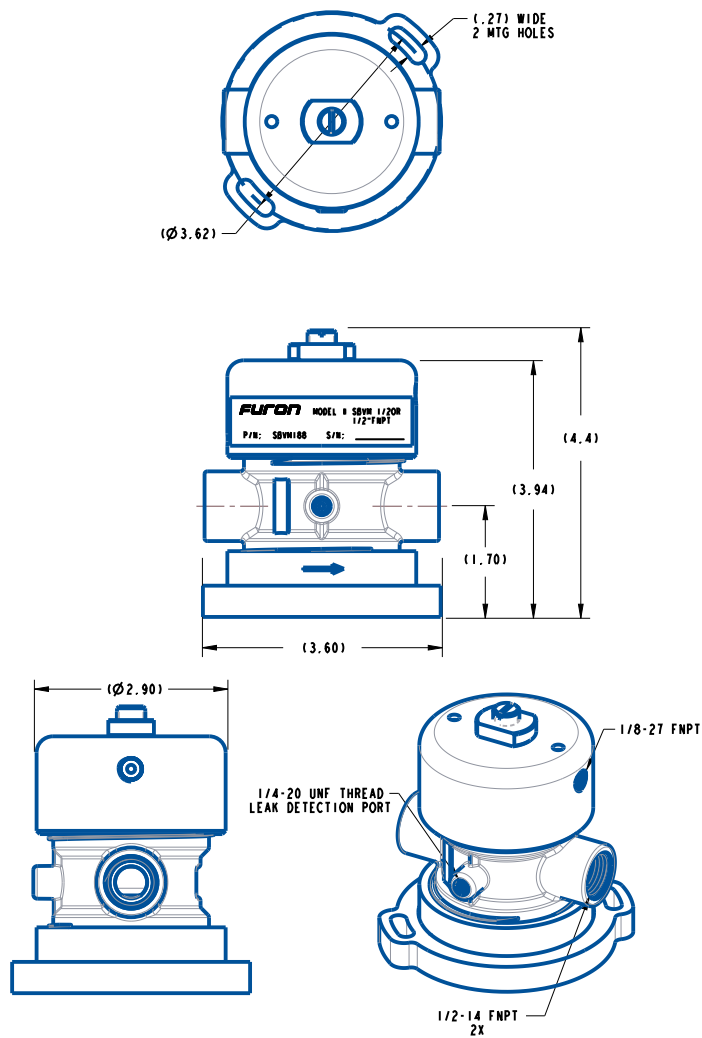
- PFA flare nuts (add -3)
- Other connection types:
  - Sanitary flange
  - Nippon Pillar Super 300®
  - Others not listed
- Ozone compatible version (add -Z)

[Please contact us](#) for details

## SBVM 1/4" ORIFICE



## SBVM 1/2" ORIFICE



SAINT-GOBAIN LIFE SCIENCES  
ELECTRONICS  
furon.com



### Saint-Gobain Performance Plastics

**China** (+8621) 5472 1568  
Sales.PPLCN@saint-gobain.com

**Europe** (+33) 3 85 20 27 00  
quotes-clm@saint-gobain.com

**India** (+91) 80 46978888  
pplindia.hc@saint-gobain.com

**Japan** (+81) 3 6256 9703  
ls-japan@saint-gobain.com

**Korea** (+82) 2 6098 0180  
LS-Korea@saint-gobain.com

**Southeast Asia** (+66) 38 667 800  
cs.sgpplsea@saint-gobain.com

**Taiwan** (+886) 2 2503 4201  
Taiwan.ppl@saint-gobain.com

**United States** (+1) 800-833-5661  
gardengrovequoteteam@saint-gobain.com

**All Other Regions**  
www.furon.com



**NOTE:** This document is intended to provide information about the product to enable you to consider whether generally the Product meets your application need and is not intended to provide product specification. This document should not be considered a Product warranty or guaranty. To the extent this document mentions any tests done by Saint-Gobain, such tests are done under controlled laboratory circumstances and hence other factors in your use and application may impact such values. Saint-Gobain strongly recommends that you conduct practical tests simulating the conditions of your application to ensure that the product meets your requirements for your specific application

Furon® and FlareGrip® are registered trademarks of Saint-Gobain Performance Plastics. Nippon Pillar Super 300® is a registered trademark of Nippon Pillar Packing Co.

**WARRANTY:** Saint-Gobain warranties that the Product will meet specifications at the time of delivery and honor such warranty claims for a period of 18 months after delivery. In the event that you are a distributor purchasing Saint-Gobain Product, any change to specification while in your control as a result of storage conditions or otherwise may cause the above warranty to be voided. THIS IS THE EXCLUSIVE WARRANTY AND IS EXPRESSLY IN LIEU OF ANY AND ALL OTHER OBLIGATIONS, GUARANTEES, WARRANTIES AND REPRESENTATIONS. SAINT-GOBAIN DISCLAIMS ALL IMPLIED WARRANTIES OF MERCHANTABILITY AND FITNESS FOR A PARTICULAR PURPOSE.