

FURON[®] STOPCOCK VALVE

3-WAY MANUAL
MOLDED, SCM3



Furon Stopcock (SCM3) Valves provide a simple but reliable solution for fluid handling applications while offering the benefits of its metal- and elastomer-free, high-purity fluoropolymer construction. Our design and application expertise in fluoropolymer valves have allowed us to provide an entrapment free, full flow-through component.

APPLICATIONS

Our Furon SCM valves are available in numerous configuration alternatives in both 2-way and 3-way valves, and feature a simple, easy to operate actuation handle.

FEATURES AND BENEFITS

- Metal-free construction
- 100% HP PFA and virgin PTFE wetted flow path
- O-Ring free design
- Bi-directional flow
- Flow through design
- Assembled, tested & double-bagged in a cleanroom
- Panel mount available
- T or L Flow pattern

Furon® Stopcock Valve 3-Way - SCM3

SPECIFICATIONS

Description	Flow Pattern	End Connection Type	Orifice		End Connection Size		D01; D02 D03		L1; L2; L3		H		P		T		M		Panel Mount														
			in	mm	in	mm	in	mm	in	mm	in	mm	in	mm	in	mm	in	mm															
SCM3-F4-L	L	FlareGrip® II	5/32	3.96	1/4	6.4	0.8	20.3	1.77	45	1.93	48.9	1.77	45	0.59	15	1.6	40.8	NO														
SCM3-F4-T	T										NO																						
SCM3P-F4-L	L										1.93	48.9							YES Cutout A														
SCM3P-F4-T	T										YES Cutout A																						
SCM3-F6-L	L										3/8	9.5							0.91	23.1	1.91	48.5	1.93	48.9	1.91	48.5	NO						
SCM3-F6-T	T																						NO										
SCM3P-F6-L	L										2.67	67.9							YES Cutout B														
SCM3P-F6-T	T										YES Cutout B																						
SCM3-F8-L	L										5/16	7.93							1/2	12.7	1.03	26.2	2.2	56	2.7	68.6	2.2	56	0.83	21	2.25	57.1	NO
SCM3-F8-T	T																								NO								
SCM3P-F8-L	L																								3.49	88.6							YES Cutout B
SCM3P-F8-T	T																								YES Cutout B								

See Cutout A or Cutout B and corresponding drawings on following page

TECHNICAL SPECIFICATIONS

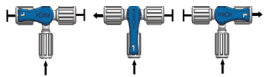
Operating Pressure**	43.5 psig (3 bar)
Operating Temperature	Max. Ambient: 86°F (30°C) Media: 0°C to 60°C (32°F to 140°F)
Body	High Purity PFA
Key	High Purity PTFE
Handle & Panel Mount	Polypropylene

OPTIONS

- PFA flare nuts (add -3)
- Other connection types:
 - MNPT
 - FNPT
 - Pipe
 - Tube End
- Various configurations available:
 - Flare x FNPT x Flare
 - Flare x Flare

[Please contact us](#) for details

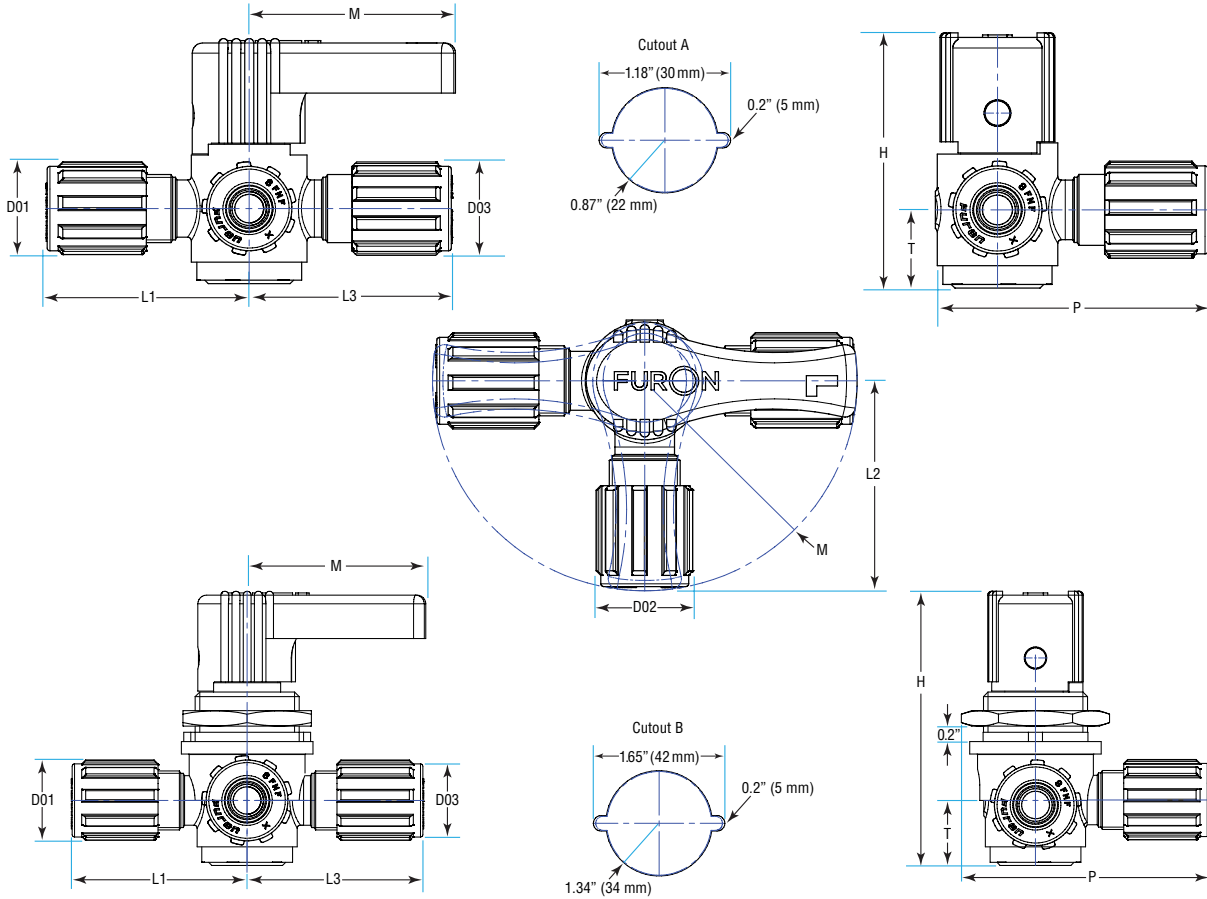
L FLOW PATTERN



T FLOW PATTERN



Furon® Stopcock Valve 3-Way - SCM3



SAINT-GOBAIN LIFE SCIENCES
ELECTRONICS
furon.com



Saint-Gobain Performance Plastics

China (+8621) 5472 1568
Sales.PPLCN@saint-gobain.com

Europe (+33) 3 85 20 27 00
quotes-clm@saint-gobain.com

India (+91) 80 46978888
pplindia.hc@saint-gobain.com

Japan (+81) 3 6256 9703
ls-japan@saint-gobain.com

Korea (+82) 2 6098 0180
LS-Korea@saint-gobain.com

Southeast Asia (+66) 38 667 800
cs.sgpplsea@saint-gobain.com

Taiwan (+886) 2 2503 4201
Taiwan.ppl@saint-gobain.com

United States (+1) 800-833-5661
gardengrovequoteteam@saint-gobain.com

All Other Regions
www.furon.com

NOTE: This document is intended to provide information about the product to enable you to consider whether generally the Product meets your application need and is not intended to provide product specification. This document should not be considered a Product warranty or guaranty. To the extent this document mentions any tests done by Saint-Gobain, such tests are done under controlled laboratory circumstances and hence other factors in your use and application may impact such values. Saint-Gobain strongly recommends that you conduct practical tests simulating the conditions of your application to ensure that the product meets your requirements for your specific application

Furon® and FlareGrip® are registered trademarks of Saint-Gobain Performance Plastics.

WARRANTY: Saint-Gobain warrants that the Product will meet specifications at the time of delivery and honor such warranty claims for a period of 18 months after delivery. In the event that you are a distributor purchasing Saint-Gobain Product, any change to specification while in your control as a result of storage conditions or otherwise may cause the above warranty to be voided. THIS IS THE EXCLUSIVE WARRANTY AND IS EXPRESSLY IN LIEU OF ANY AND ALL OTHER OBLIGATIONS, GUARANTEES, WARRANTIES AND REPRESENTATIONS. SAINT-GOBAIN DISCLAIMS ALL IMPLIED WARRANTIES OF MERCHANTABILITY AND FITNESS FOR A PARTICULAR PURPOSE.