

FURON[®] STOPCOCK VALVE

3-WAY MANUAL
MOLDED, SCM3

Furon Stopcock (SCM3) Valves provide a simple but reliable solution for fluid handling applications while offering the benefits of its metal- and elastomer-free, high-purity fluoropolymer construction. Our design and application expertise in fluoropolymer valves have allowed us to provide an entrapment free, full flow-through component.

APPLICATIONS

Our Furon SCM valves are available in numerous configuration alternatives in both 2-way and 3-way valves, and feature a simple, easy to operate actuation handle.

FEATURES AND BENEFITS

- Metal-free construction
- 100% HP PFA and virgin PTFE wetted flow path
- O-Ring free design
- Bi-directional flow
- Flow through design
- Assembled, tested & double-bagged in a cleanroom
- Panel mount available
- T or L Flow pattern

Furon® Stopcock Valve 3-Way - SCM3

SPECIFICATIONS

| Description | Flow Pattern | End Connection Type | Orifice | | End Connection Size | | D01; D02 D03 | | L1; L2; L3 | | H | | P | | T | | M | | Panel Mount | | | | | | | | | | | | | | |
|-------------|--------------|---------------------|---------|------|---------------------|-----|-----------------|------|------------|----|-----------------|------|------|----|------|----|-----|------|-----------------|------|------|------|------|------|------|------|-----|----|------|----|------|------|-----------------|
| | | | in | mm | in | mm | in | mm | in | mm | in | mm | in | mm | in | mm | in | mm | | | | | | | | | | | | | | | |
| SCM3-F4-L | L | FlareGrip® II | 5/32 | 3.96 | 1/4 | 6.4 | 0.8 | 20.3 | 1.77 | 45 | 1.93 | 48.9 | 1.77 | 45 | 0.59 | 15 | 1.6 | 40.8 | NO | | | | | | | | | | | | | | |
| SCM3-F4-T | T | | | | | | | | | | YES Cutout A | | | | | | | | | | | | | | | | | | | | | | |
| SCM3P-F4-L | L | | | | | | | | | | 1.93 | 48.9 | | | | | | | YES Cutout A | | | | | | | | | | | | | | |
| SCM3P-F4-T | T | | | | | | | | | | 2.67 | 67.9 | | | | | | | YES Cutout B | | | | | | | | | | | | | | |
| SCM3-F6-L | L | | | | | | | | | | 3/8 | 9.5 | | | | | | | 0.91 | 23.1 | 1.91 | 48.5 | 1.93 | 48.9 | 1.91 | 48.5 | 2.2 | 56 | 0.83 | 21 | 2.25 | 57.1 | NO |
| SCM3-F6-T | T | | | | | | | | | | | | | | | | | | | | | | 2.67 | 67.9 | | | | | | | | | YES Cutout B |
| SCM3P-F6-L | L | | | | | | | | | | 5/16 | 7.93 | | | | | | | 1/2 | 12.7 | 1.03 | 26.2 | 2.2 | 56 | 2.7 | 68.6 | 2.2 | 56 | 0.83 | 21 | 2.25 | 57.1 | NO |
| SCM3P-F6-T | T | | | | | | | | | | | | | | | | | | | | | | | | 3.49 | 88.6 | | | | | | | YES Cutout B |
| SCM3-F8-L | L | | | | | | | | | | 5/16 | 7.93 | | | | | | | 1/2 | 12.7 | 1.03 | 26.2 | 2.2 | 56 | 2.7 | 68.6 | 2.2 | 56 | 0.83 | 21 | 2.25 | 57.1 | NO |
| SCM3-F8-T | T | | | | | | | | | | | | | | | | | | | | | | | | 3.49 | 88.6 | | | | | | | YES Cutout B |
| SCM3P-F8-L | L | | | | | | | | | | 5/16 | 7.93 | | | | | | | 1/2 | 12.7 | 1.03 | 26.2 | 2.2 | 56 | 2.7 | 68.6 | 2.2 | 56 | 0.83 | 21 | 2.25 | 57.1 | NO |
| SCM3P-F8-T | T | | | | | | | | | | | | | | | | | | | | | | | | 3.49 | 88.6 | | | | | | | YES Cutout B |

See Cutout A or Cutout B and corresponding drawings on following page

TECHNICAL SPECIFICATIONS

| | |
|-----------------------|---|
| Operating Pressure** | 43.5 psig (3 bar) |
| Operating Temperature | Max. Ambient: 86°F (30°C) Media: 0°C to 60°C (32°F to 140°F) |
| Body | High Purity PFA |
| Key | High Purity PTFE |
| Handle & Panel Mount | Polypropylene |

OPTIONS

- PFA flare nuts (add -3)
- Other connection types:
 - MNPT
 - FNPT
 - Pipe
 - Tube End
- Various configurations available:
 - Flare x FNPT x Flare
 - Flare x Flare

[Please contact us](#) for details

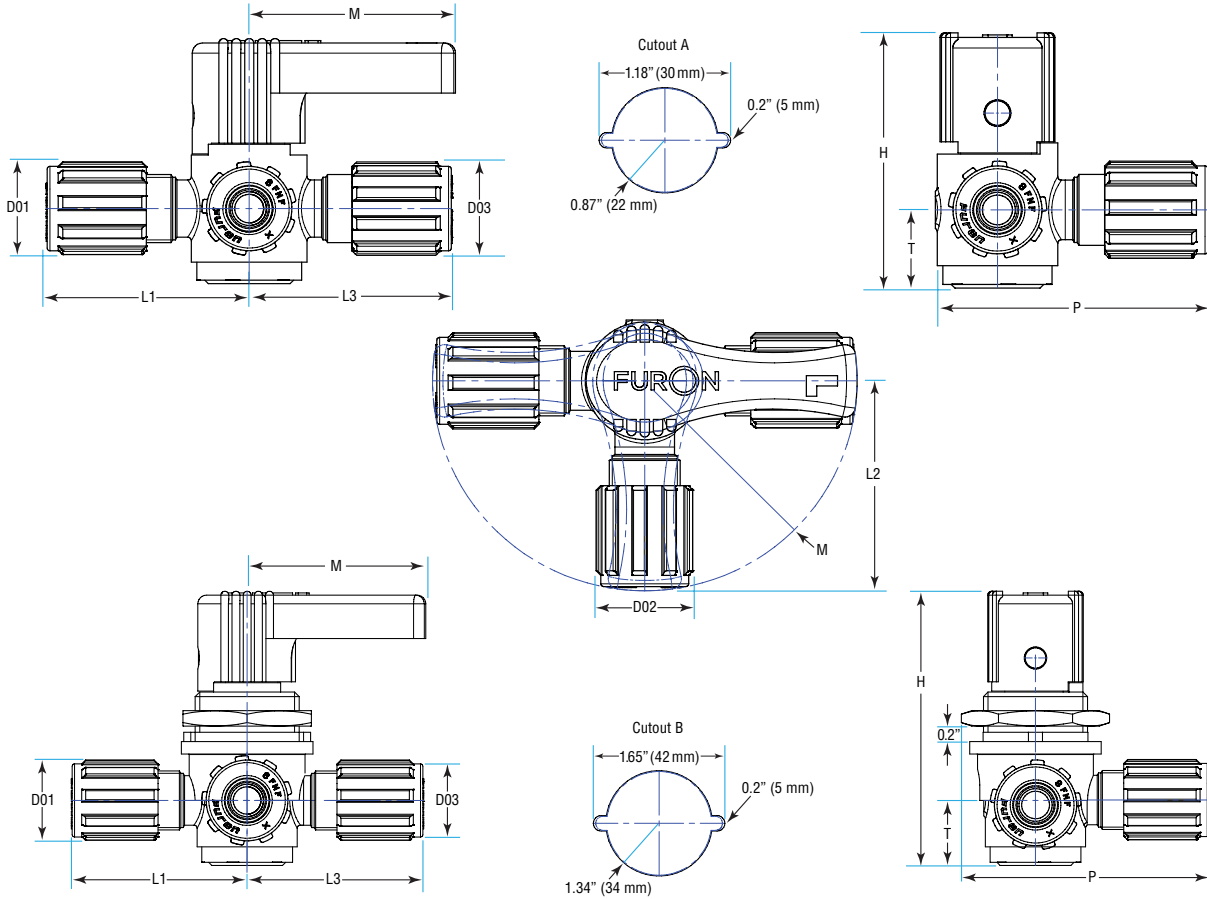
L FLOW PATTERN



T FLOW PATTERN



Furon® Stopcock Valve 3-Way - SCM3



SAINT-GOBAIN LIFE SCIENCES
ELECTRONICS
furon.com



Saint-Gobain Performance Plastics

China (+86) 400 888 0198
sales.PPSCN@saint-gobain.com

Europe (+33) 3 85 20 27 00
quotes-clm@saint-gobain.com

India (+91) 76208 22999
pplindia.hc@saint-gobain.com

Japan (+81) 3 6256 9703
ls-japan@saint-gobain.com

Korea (+82) 2 6098 0180
LS-Korea@saint-gobain.com

Southeast Asia (+66) 38 667 800
cs.sgpplsea@saint-gobain.com

Taiwan (+886) 2 2503 4201
Taiwan.ppl@saint-gobain.com

United States (+1) 800-833-5661
gardengrovequoteteam@saint-gobain.com

All Other Regions
www.furon.com

NOTE: This document is intended to provide information about the product to enable you to consider whether generally the Product meets your application need and is not intended to provide product specification. This document should not be considered a Product warranty or guaranty. To the extent this document mentions any tests done by Saint-Gobain, such tests are done under controlled laboratory circumstances and hence other factors in your use and application may impact such values. Saint-Gobain strongly recommends that you conduct practical tests simulating the conditions of your application to ensure that the product meets your requirements for your specific application

Furon® and FlareGrip® are registered trademarks of Saint-Gobain Performance Plastics.

WARRANTY: Saint-Gobain warrants that the Product will meet specifications at the time of delivery and honor such warranty claims for a period of 18 months after delivery. In the event that you are a distributor purchasing Saint-Gobain Product, any change to specification while in your control as a result of storage conditions or otherwise may cause the above warranty to be voided. THIS IS THE EXCLUSIVE WARRANTY AND IS EXPRESSLY IN LIEU OF ANY AND ALL OTHER OBLIGATIONS, GUARANTEES, WARRANTIES AND REPRESENTATIONS. SAINT-GOBAIN DISCLAIMS ALL IMPLIED WARRANTIES OF MERCHANTABILITY AND FITNESS FOR A PARTICULAR PURPOSE.