



## FURON<sup>®</sup> CONICAL OPEN TANKS

30 TO 500 GALLON\*  
MOLDED TANKS

Furon<sup>®</sup> Conical Open Tanks are the best and toughest in the industry. Exacting CAD-based designs, the highest quality virgin resin and tough construction provide excellent solutions for chemical and slurry storage applications. They are designed with no-corner thinning to prevent slurry agglomeration, which can negatively impact a tank's efficiency as well as lifetime.

Our tank manufacturing facility operates in accordance with ISO 9001. All tanks are lot traceable back to the molding batch and resin. Certificate of Conformance documentation can be provided upon request.

Furon Conical Open Tanks can be customized, although order minimums may apply.

### APPLICATIONS

Semiconductor

- Chemical distribution system
- Slurry distribution system
- Cleaning/CMP tools

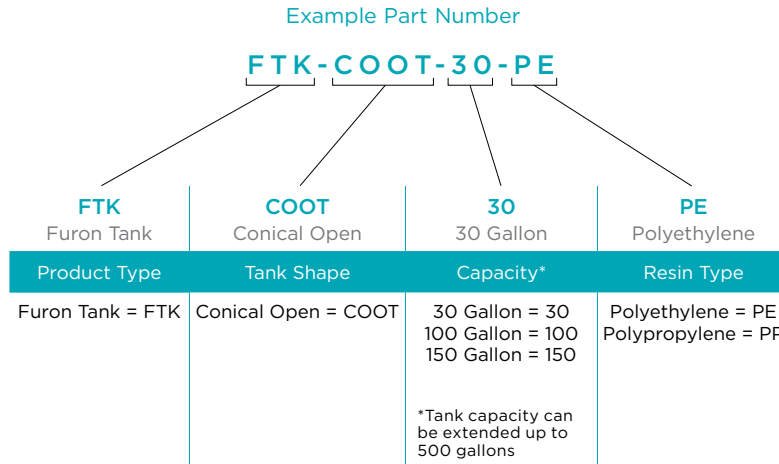
\*Tank capacity can be extended up to 500 gallons.  
[Please contact us](#) for more information.

### FEATURES AND BENEFITS

- Compatible with large range of chemical and slurry being used in chemical or slurry distribution systems in Semiconductor process
- Made by high-purity grade virgin resin
- Tanks come with matching covers with same thickness
- Lightweight for ease of transportation and installation
- Designed with no-corner thinning to prevent agglomeration in slurry applications

## PART NUMBER NOMENCLATURE

Furon Conical Open Tank part numbers are created depending upon various properties of the tank. It is based on selected options available for each property.

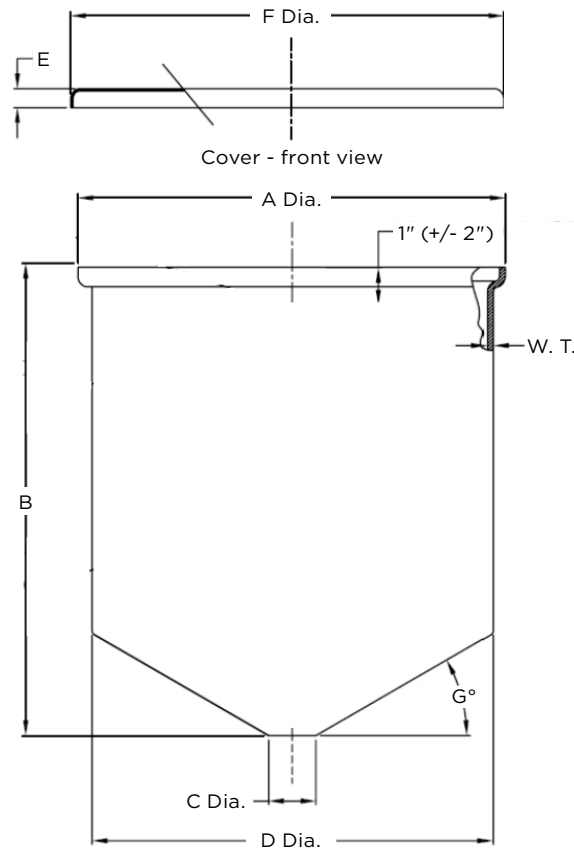


Furon Tanks can be customized to your application. Please contact your [local customer service center](#) for more information.

## SPECIFICATIONS

Part Number	Size (gallon)	PE (Polyethylene)														Wall Thickness	
		A Diameter		B (+/- 1/2")		C Diameter		D Diameter		E (+/- 1/4")		F Diameter		G°			
		in	cm	in	cm	in	cm	in	cm	in	cm	in	cm	in	cm	in	mm
FTK-COOT-30-PE	30	19.25	50.165	35.25	89.535	3	7.62	18.25	46.355	1.25	3.175	20.25	51.435	30	76.2	0.1875	4.76
FTK-COOT-100-PE	100	32.5	82.55	39	99.06	5	12.7	31.875	80.962	1.25	3.175	34	86.36	30	76.2	0.25	6.35
FTK-COOT-150-PE	150	32.93	83.66	56.875	144.46	4.5	11.43	31.156	79.136	2	5.08	34	86.36	30	76.2	0.25	6.35

Note: Tank capacity can be extended up to 500 gallons. [Please contact us](#) for more information.



### Saint-Gobain Performance Plastics

**China** (+8621) 5472 1568  
Sales.PPLCN@saint-gobain.com  
**Europe** (+33) 3 85 20 27 00  
quotes-clm@saint-gobain.com  
**India** (+91) 80 46978888  
pplindia.hc@saint-gobain.com

**Japan** (+81) 3 6256 9703  
ls-japan@saint-gobain.com  
**Korea** (+82) 2 6098 0180  
LS-Korea@saint-gobain.com  
**Southeast Asia** (+66) 38 667 800  
cs.sgplsea@saint-gobain.com

**Taiwan** (+886) 2 2503 4201  
Taiwan.ppl@saint-gobain.com  
**United States** (+1) 800-833-5661  
gardengrovequoteteam@saint-gobain.com  
**All Other Regions**  
www.furon.com

**NOTE:** This document is intended to provide information about the product to enable you to consider whether generally the Product meets your application need and is not intended to provide product specification. This document should not be considered a Product warranty or guaranty. To the extent this document mentions any tests done by Saint-Gobain, such tests are done under controlled laboratory circumstances and hence other factors in your use and application may impact such values. Saint-Gobain strongly recommends that you conduct practical tests simulating the conditions of your application to ensure that the product meets your requirements for your specific application

Furon® is a registered trademark of Saint-Gobain Performance Plastics.

**WARRANTY:** Saint-Gobain warrants that the Product will meet specifications at the time of delivery and honor such warranty claims for a period of 18 months after delivery. In the event that you are a distributor purchasing Saint-Gobain Product, any change to specification while in your control as a result of storage conditions or otherwise may cause the above warranty to be voided. THIS IS THE EXCLUSIVE WARRANTY AND IS EXPRESSLY IN LIEU OF ANY AND ALL OTHER OBLIGATIONS, GUARANTEES, WARRANTIES AND REPRESENTATIONS. SAINT-GOBAIN DISCLAIMS ALL IMPLIED WARRANTIES OF MERCHANTABILITY AND FITNESS FOR A PARTICULAR PURPOSE.