

## FURON<sup>®</sup> STOPCOCK VALVE

2-WAY MANUAL  
MOLDED, SCM2

Furon Stopcock (SCM2) Valves provide a simple but reliable solution for fluid handling applications while offering the benefits of its metal- and elastomer-free, high-purity fluoropolymer construction. Our design and application expertise in fluoropolymer valves have allowed us to provide an entrapment free, full flow-through component.

### APPLICATIONS

Our Furon SCM valves are available in numerous configuration alternatives in both 2-way and 3-way valves, and feature a simple, easy to operate actuation handle.

### FEATURES AND BENEFITS

- Metal-free construction
- 100% HP PFA and virgin PTFE wetted flow path
- O-Ring free design
- Bi-directional flow
- Flow through design
- Assembled, tested & double-bagged in a cleanroom
- Panel mount available

# Furon® Stopcock Valve

## 2-Way - SCM2

### SPECIFICATIONS

Description	End Connection Type	Orifice		End Connection Size		D01		L1		D03		L3		H		P		T		M		Panel Mount
		in	mm	in	mm	in	mm	in	mm	in	mm	in	mm	in	mm	in	mm	in	mm	in	mm	
SCM2-F4	FlareGrip®II									0.8	20.3	1.77	45			0.86	21.8					NO
SCM2P-F4	FlareGrip®II															1.32	33.5					YES Cutout A
SCM2-F454	FlareGrip®II			1/4	6.4	0.8	20.3	1.77	45							0.86	21.8					NO
	MNPT															1.32	33.5					
SCM2P-F454	FlareGrip®II									0.54	13.7	1.02	25.9			0.86	21.8					YES Cutout A
	MNPT															1.32	33.5					
SCM2-F6	FlareGrip®II	5/32	4.0											1.93	48.9			0.59	15	1.6	40.8	NO
SCM2P-F6	FlareGrip®II									0.91	23.1	1.91	48.5			1.32	33.5					YES Cutout B
SCM2-F656	FlareGrip®II			3/8	9.5	0.91	23.1	1.79	45.5							0.91	23.1					NO
	MNPT																					
SCM2P-F656	FlareGrip®II									0.67	17.1	1.06	27.1			1.32	33.5					YES Cutout B
	MNPT																					
SCM2-F8	FlareGrip®II															1.3	33					NO
SCM2P-F8	FlareGrip®II			1/2	12.7					1.0	26.2	2.2	56			1.86	47.3					YES Cutout B
SCM2-F856	FlareGrip®II			1/2	12.7											1.3	33					NO
	MNPT			3/8	9.5											1.86	47.3					
SCM2P-F856	FlareGrip®II	5/16	7.9	1/2	12.7	1.03	26.2	2.2	56	0.67	17.1	1.26	32	2.7	68.6	1.3	33	0.83	21	2.25	57.1	YES Cutout B
	MNPT			3/8	9.5											1.86	47.3					
SCM2-F858	FlareGrip®II															1.3	33					NO
	MNPT															1.86	47.3					
SCM2P-F858	FlareGrip®II			1/2	12.7					0.84	21.3	1.3	32.9			1.3	33					YES Cutout B
	MNPT															1.86	47.3					

See Cutout A or Cutout B and corresponding drawings on following page

### TECHNICAL SPECIFICATIONS

Operating Pressure**	43.5 psig (3 bar)
Operating Temperature	Max. Ambient: 86°F (30°C) Media: 0°C to 60°C (32°F to 140°F)
Body	High Purity PFA
Key	High Purity PTFE
Handle & Panel Mount	Polypropylene

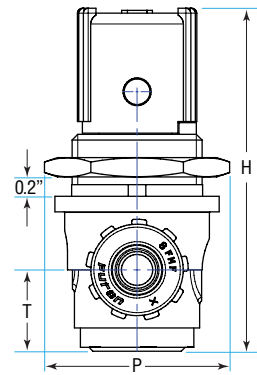
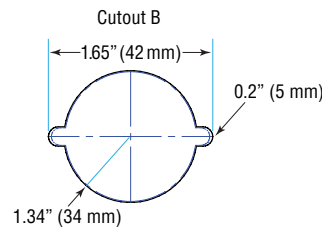
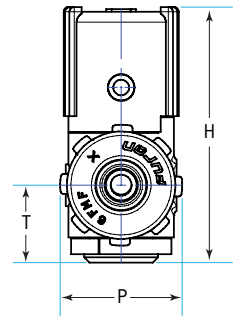
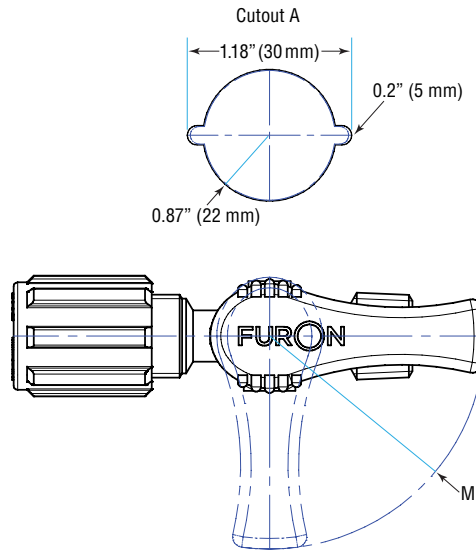
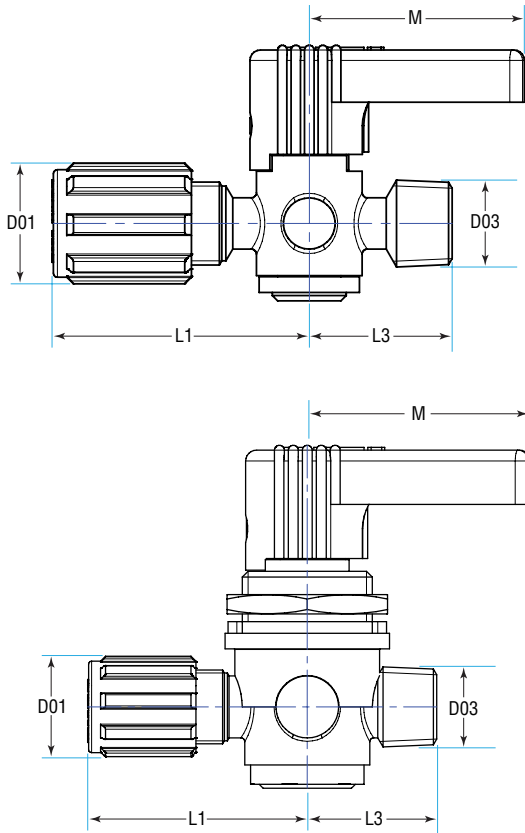
\*\*Room temperature

### OPTIONS

- PFA flare nuts (add -3)
- Other connection types:
  - FNPT
  - Pipe
  - Tube End
- Various configurations available:
  - Flare x FNPT
  - Flare x Flare

[Please contact us](#) for details

# Furon® Stopcock Valve 2-Way - SCM2



## Saint-Gobain Performance Plastics

**China** (+86) 400 888 0198  
sales.PPSCN@saint-gobain.com

**Europe** (+33) 3 85 20 27 00  
quotes-clm@saint-gobain.com

**India** (+91) 76208 22999  
pplindia.hc@saint-gobain.com

**Japan** (+81) 3 6256 9703  
ls-japan@saint-gobain.com

**Korea** (+82) 2 6098 0180  
LS-Korea@saint-gobain.com

**Southeast Asia** (+66) 38 667 800  
cs.sgplsea@saint-gobain.com

**Taiwan** (+886) 2 2503 4201  
Taiwan.ppl@saint-gobain.com

**United States** (+1) 800-833-5661  
gardengrovequoteteam@saint-gobain.com

**All Other Regions**  
www.furon.com

SAINT-GOBAIN LIFE SCIENCES  
ELECTRONICS  
furon.com



**NOTE:** This document is intended to provide information about the product to enable you to consider whether generally the Product meets your application need and is not intended to provide product specification. This document should not be considered a Product warranty or guaranty. To the extent this document mentions any tests done by Saint-Gobain, such tests are done under controlled laboratory circumstances and hence other factors in your use and application may impact such values. Saint-Gobain strongly recommends that you conduct practical tests simulating the conditions of your application to ensure that the product meets your requirements for your specific application

Furon® and FlareGrip® are registered trademarks of Saint-Gobain Performance Plastics.

**WARRANTY:** Saint-Gobain warrants that the Product will meet specifications at the time of delivery and honor such warranty claims for a period of 18 months after delivery. In the event that you are a distributor purchasing Saint-Gobain Product, any change to specification while in your control as a result of storage conditions or otherwise may cause the above warranty to be voided. THIS IS THE EXCLUSIVE WARRANTY AND IS EXPRESSLY IN LIEU OF ANY AND ALL OTHER OBLIGATIONS, GUARANTEES, WARRANTIES AND REPRESENTATIONS. SAINT-GOBAIN DISCLAIMS ALL IMPLIED WARRANTIES OF MERCHANTABILITY AND FITNESS FOR A PARTICULAR PURPOSE.