



FURON[®] PRECISION PLUG VALVE

2-WAY MANUAL
MULTI-TURN
1/16" TO 1/4" ORIFICE

Furon Precision Plug Valves offer a means of precisely regulating flow in liquid and gas applications. Precision Plug Valves feature a manual adjustment knob with fine adjustment threads, allowing the user to precisely set the desired flow rate. Constructed from 100% virgin PTFE wetted parts, they are suitable for use with harsh, aggressive, or ultra-pure chemistry, as well as most gases. Our bubble-tight plug design assures no leakage in gas applications. Panel mount feature is standard on all Precision Plug Valves, allowing the user to easily mount the valves on an instrumentation or control panel.

APPLICATIONS

- Precise regulation of chemical or gas flow in wafer processing applications
- Flow regulation in DI water systems
- Instrumentation requiring precise flow regulation of gas or chemical
- Laboratory applications

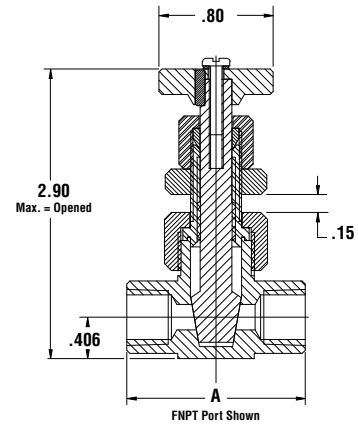
FEATURES AND BENEFITS

- 100% virgin PTFE wetted flow path
- Small footprint
- Bubble tight sealing
- Straight through flow path construction
- Suitable for liquid and gas use
- Panel mount feature standard

Furon® Precision Valve 2-Way Manual

SPECIFICATIONS

Description	End Connection Type	Orifice		End Connection Size		A	
		in	mm	in	mm	in	mm
PV1-12	FNPT	1/16	1.6	1/8	3.2	1.49	37.9
PV1-22	FNPT	1/8	3.2				
PV1-24	FNPT	1/4	6.4	1/4	6.4	1.67	42.4
PV1-44	FNPT						
PV1-46	FNPT	3/8	9.5	3/8	9.5	1.75	44.5
PV1-66	FNPT						
PV1-88	FNPT	1/2	12.7	1/2	12.7		
PV2-12	Grab Seal™	1/16	1.6	1/8	3.2	1.75	44.5
PV2-14	Grab Seal™	1/8	3.2	1/4	6.4		
PV2-24	Grab Seal™						
PV2-46	Grab Seal™	1/4	6.4	3/8	9.5		



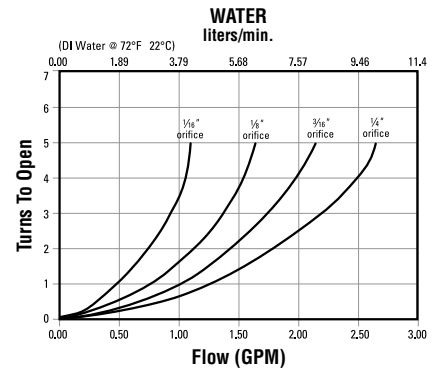
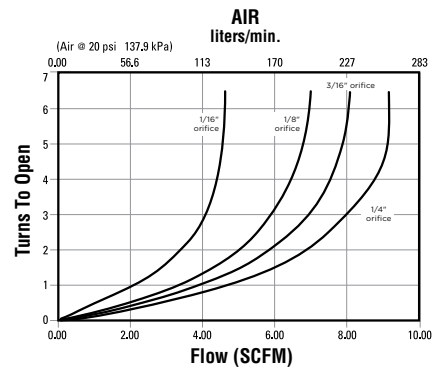
OPTIONS

- 90° angled body (PVA Series)
- Other end connection types available.
 - Nippon Pillar Super 300°
 - Tube End
 - Others not listed

Please contact us for further details

TECHNICAL SPECIFICATIONS

Max. Operating Pressure	75 psig (5.2 bar)
Max. Operating Temperature	Ambient: 122°F (50°C) Media: 212°F (100°C)
Flow Factor	C _v 0.2 - 0.5
Body	PTFE
Needle & Stem	PTFE
Adjustment Knob	Polypropylene



Saint-Gobain Performance Plastics

China (+8621) 5472 1568
Sales.PPLCN@saint-gobain.com

Europe (+33) 3 85 20 27 00
quotes-clm@saint-gobain.com

India (+91) 80 46978888
pplindia.hc@saint-gobain.com

Japan (+81) 3 6256 9703
ls-japan@saint-gobain.com

Korea (+82) 2 6098 0180
LS-Korea@saint-gobain.com

Southeast Asia (+66) 38 667 800
cs.sgpplsea@saint-gobain.com

Taiwan (+886) 2 2503 4201
Taiwan.ppl@saint-gobain.com

United States (+1) 800-833-5661
gardengrovequoteteam@saint-gobain.com

All Other Regions
www.furon.com

NOTE: This document is intended to provide information about the product to enable you to consider whether generally the Product meets your application need and is not intended to provide product specification. This document should not be considered a Product warranty or guaranty. To the extent this document mentions any tests done by Saint-Gobain, such tests are done under controlled laboratory circumstances and hence other factors in your use and application may impact such values. Saint-Gobain strongly recommends that you conduct practical tests simulating the conditions of your application to ensure that the product meets your requirements for your specific application

Furon® and Grab Seal™ is a registered trademarks of Saint-Gobain Performance Plastics. Nippon Pillar Super 300® is a registered trademark of Nippon Pillar Packing Co.

WARRANTY: Saint-Gobain warranties that the Product will meet specifications at the time of delivery and honor such warranty claims for a period of 18 months after delivery. In the event that you are a distributor purchasing Saint-Gobain Product, any change to specification while in your control as a result of storage conditions or otherwise may cause the above warranty to be voided. THIS IS THE EXCLUSIVE WARRANTY AND IS EXPRESSLY IN LIEU OF ANY AND ALL OTHER OBLIGATIONS, GUARANTEES, WARRANTIES AND REPRESENTATIONS. SAINT-GOBAIN DISCLAIMS ALL IMPLIED WARRANTIES OF MERCHANTABILITY AND FITNESS FOR A PARTICULAR PURPOSE.