

FURON[®] J-VALVE

2-WAY PNEUMATIC
3/4" ORIFICE

Furon J-Valves are robust in design, offering superior performance in applications involving aggressive chemistries or abrasive slurries. Our J-Valves feature a high Cv flow factor in a small footprint and provide capability for operating in high back pressure applications. Wetted parts are 100% injection molded high-purity PFA with modified PTFE diaphragm, assuring the ultimate in high purity and resistance to the most aggressive media. A fully swept flow path allows for complete drain down of media with no hold-up volume. Additionally, Furon J-Valves are life cycle tested to over two million cycles, assuring superior reliability with on/off control in process-critical applications.

APPLICATIONS

- Chemical distribution systems in the Semiconductor industry
- Ultrapure deionized water applications
- Suitable for use in abrasive slurry
- Applications requiring high back pressure (up to 85 PSIG) and/or high flow (7.2 Cv)

FEATURES AND BENEFITS

- Life cycle tested to 2 million cycles
- Pressure rated to 85 PSIG (5.7 bar)
- Maximum flow rating of 7.2 Cv
- High Purity PFA and PTFE wetted components
- Fully swept flow path supports no hold up volume
- Visual position indicator
- Leak detection port
- J-Valve designs have been tested for more than 3 million cycles

Furon® J-Valve 2-Way Pneumatic

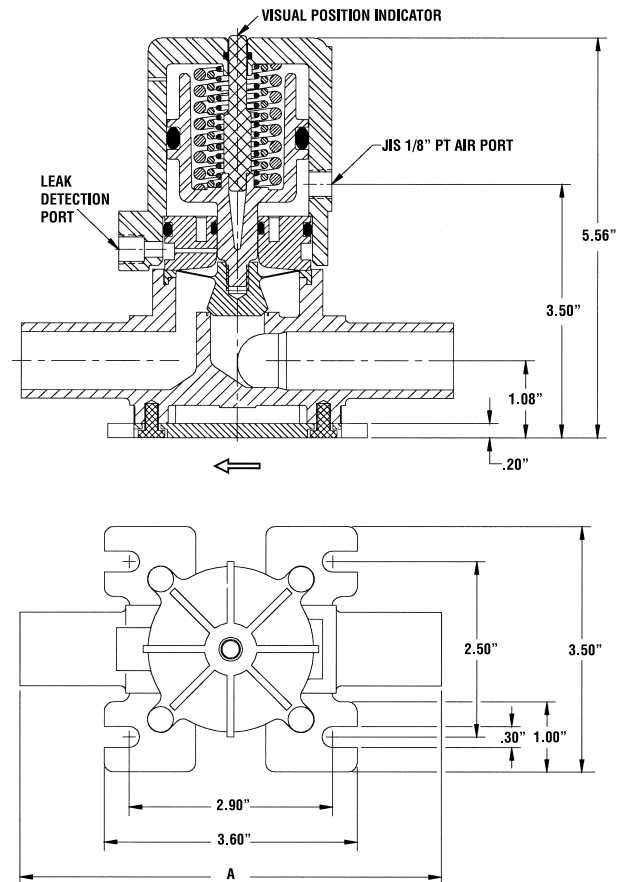
SPECIFICATIONS

Description	Flow Path	End Connection Type	Orifice		End Connection Size		A			
			in	mm	in	mm	in	mm		
JV2-F1212-NC	Normally Closed	FlareGrip® II	3/4	19.1	3/4	19.05	6.2	157.5		
JV2-F1212-NO	Normally Open	FlareGrip® II					6.0	152.4		
JV2-71212-NC	Normally Closed	FuseBond™					6.7	169.7		
JV2-71212-NO	Normally Open	FuseBond™			1	25.4	1	25.4	6.2	157.5
JV2-S3001212-NC	Normally Closed	Nippon Pillar Super 300®							7.4	189.0
JV2-S3001212-NO	Normally Open	Nippon Pillar Super 300®								
JV2-F1216-NC	Normally Closed	FlareGrip® II								
JV2-F1216-NO	Normally Open	FlareGrip® II								
JV2-S3001216-NC	Normally Closed	Nippon Pillar Super 300®								
JV2-S3001216-NO	Normally Open	Nippon Pillar Super 300®								

OPTIONS

- Other end connection types available.
 - FNPT
 - Tube End
 - Others not listed
- Fiber optic position sensor
- Custom manifolds

[Please contact us](#) for further details >>

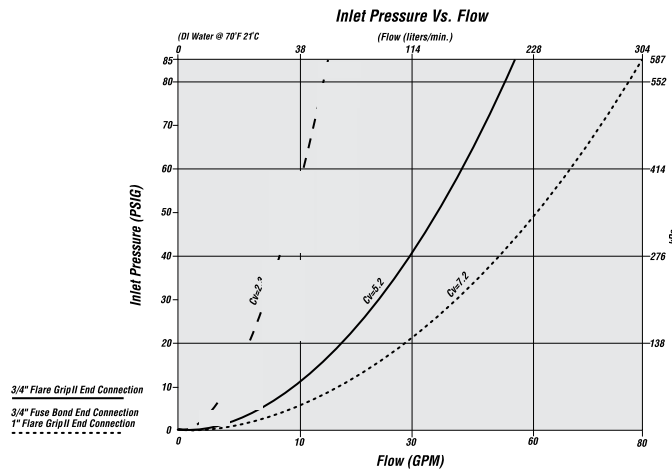


Furon® J-Valve 2-Way Pneumatic

TECHNICAL SPECIFICATIONS

Operating Pressure	85 psig (5.9 bar)
Back Pressure	85 psig (5.9 bar)
Flow	C _v 5.2 - 7.2
Max. Operating Temperature	Ambient: 122°F (50°C) Media: 203°F (95°C)
Actuator Pressure	60 - 100 PSIG (4.1 - 6.9 bar)
Body	PFA
Diaphragm	Modified PTFE
Actuator Housing	Polypropylene

Tested with HCl for more than 1.1 million cycles



Saint-Gobain Performance Plastics

China (+8621) 5472 1568
Sales.PPLCN@saint-gobain.com

Europe (+33) 3 85 20 27 00
quotes-clm@saint-gobain.com

India (+91) 80 46978888
pplindia.hc@saint-gobain.com

Japan (+81) 3 6256 9703
ls-japan@saint-gobain.com

Korea (+82) 2 6098 0180
LS-Korea@saint-gobain.com

Southeast Asia (+66) 38 667 800
cs.sgpplsea@saint-gobain.com

Taiwan (+886) 2 2503 4201
Taiwan.ppl@saint-gobain.com

United States (+1) 800-833-5661
gardengrovequoteteam@saint-gobain.com

All Other Regions
www.furon.com



NOTE: This document is intended to provide information about the product to enable you to consider whether generally the Product meets your application need and is not intended to provide product specification. This document should not be considered a Product warranty or guaranty. To the extent this document mentions any tests done by Saint-Gobain, such tests are done under controlled laboratory circumstances and hence other factors in your use and application may impact such values. Saint-Gobain strongly recommends that you conduct practical tests simulating the conditions of your application to ensure that the product meets your requirements for your specific application

Furon®, FlareGrip® and FuseBond™ are registered trademarks of Saint-Gobain Performance Plastics. Nippon Pillar Super 300® is a registered trademark of Nippon Pillar Packing Co.

WARRANTY: Saint-Gobain warranties that the Product will meet specifications at the time of delivery and honor such warranty claims for a period of 18 months after delivery. In the event that you are a distributor purchasing Saint-Gobain Product, any change to specification while in your control as a result of storage conditions or otherwise may cause the above warranty to be voided. THIS IS THE EXCLUSIVE WARRANTY AND IS EXPRESSLY IN LIEU OF ANY AND ALL OTHER OBLIGATIONS, GUARANTEES, WARRANTIES AND REPRESENTATIONS. SAINT-GOBAIN DISCLAIMS ALL IMPLIED WARRANTIES OF MERCHANTABILITY AND FITNESS FOR A PARTICULAR PURPOSE.