



## FURON<sup>®</sup> INLINE VALVE

2-WAY MANUAL  
1" ORIFICE

Furon InLine Manual Valves are high-purity, injection molded valves designed to provide unparalleled high flow performance coupled with an ultra-compact footprint. Our patented rolling diaphragm technology ensures a long life and enables a high pressure rating, coupled with a visual position indicator for added safety. Incorporating our innovative single seal union end fittings to the Furon InLine Valve offers the advantages of a welded system with the ability to rapidly change out components while eliminating dead volume and elastomeric contamination.

### APPLICATIONS

Furon HGVM Valves are ideal for use in the semiconductor industry, or other applications requiring high purity and/or superior chemical resistance.

- Bulk Chemical Delivery Systems and Chemical Distribution Systems in Semiconductor fabrications
- Chemical processing applications
- Ultrapure deionized water applications
- Suitable for use in abrasive slurry
- Applications requiring high back pressure (up to 100 PSIG/6.9 bar)

### FEATURES AND BENEFITS

- True 1" (25.4 mm) Orifice
- 100% PFA HP and Virgin PTFE wetted flow path
- High Flow Factor of Cv 15
- Patented rolling diaphragm technology
- Fully swept, low shear internal flow path
- No exposed metallics
- Visual position indicator
- Tested for more than 1 million cycles
- Tested for HCl reliability for more than 430,000 cycles in pneumatic version

# Furon® InLine Valve Manual

## SPECIFICATIONS

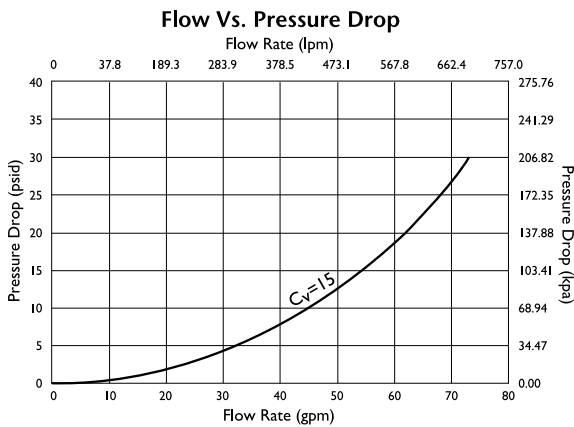
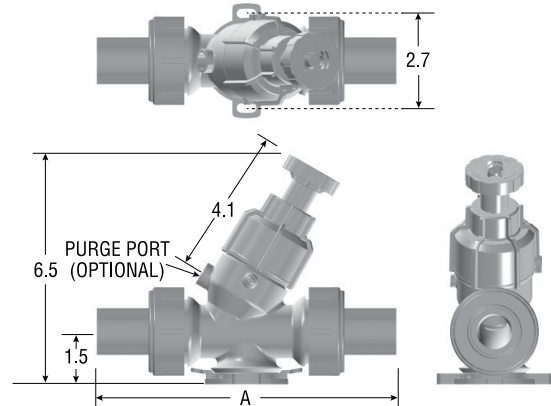
Description	End Connection Type	Orifice		End Connection Size		A	
		in	mm	in	mm	in	mm
INL2-F1616-MT	FlareGrip® II	1	25.4	1	25.4	9.1	231
INL2-71616-MT	FuseBond™					8.5	216
INL2-S3001616-MT	Nippon Pillar Super 300®			10.9	277		
INL2-F1620-MT	FlareGrip® II	1-1/4	31.75			9.3	237
INL2-S3001620-MT	Nippon Pillar Super 300®					Please contact us	

\* Nominal by Schedule 40 Pipe for FuseBond end connections

## TECHNICAL SPECIFICATIONS

Max. Inlet Liquid Pressure	100 psig (6.9 bar)
Max. Outlet Liquid Pressure	100 psig (6.9 bar)
Flow	Cv up to 15
Operating Temperature	Ambient: 122°F (50°C) Media: 212°F (100°C)
Body	PFA
Diaphragm	PTFE
Actuator Housing	Polypropylene

## FURON INLINE MANUAL (WITH 1" FUSEBOND™ FITTING)



### Saint-Gobain Performance Plastics

**China** (+8621) 5472 1568  
Sales.PPLCN@saint-gobain.com

**Europe** (+33) 3 85 20 27 00  
quotes-clm@saint-gobain.com

**India** (+91) 80 46978888  
pplindia.hc@saint-gobain.com

**Japan** (+81) 3 6256 9703  
ls-japan@saint-gobain.com

**Korea** (+82) 2 6098 0180  
LS-Korea@saint-gobain.com

**Southeast Asia** (+66) 38 667 800  
cs.sgplsea@saint-gobain.com

**Taiwan** (+886) 2 2503 4201  
Taiwan.ppl@saint-gobain.com

**United States** (+1) 800-833-5661  
gardengrovequoteteam@saint-gobain.com

**All Other Regions**  
www.furon.com



**NOTE:** This document is intended to provide information about the product to enable you to consider whether generally the Product meets your application need and is not intended to provide product specification. This document should not be considered a Product warranty or guaranty. To the extent this document mentions any tests done by Saint-Gobain, such tests are done under controlled laboratory circumstances and hence other factors in your use and application may impact such values. Saint-Gobain strongly recommends that you conduct practical tests simulating the conditions of your application to ensure that the product meets your requirements for your specific application

Furon®, FlareGrip® and FuseBond™ are registered trademarks of Saint-Gobain Performance Plastics. Nippon Pillar Super 300® is a registered trademark of Nippon Pillar Packing Co.

**WARRANTY:** Saint-Gobain warrants that the Product will meet specifications at the time of delivery and honor such warranty claims for a period of 18 months after delivery. In the event that you are a distributor purchasing Saint-Gobain Product, any change to specification while in your control as a result of storage conditions or otherwise may cause the above warranty to be voided. THIS IS THE EXCLUSIVE WARRANTY AND IS EXPRESSLY IN LIEU OF ANY AND ALL OTHER OBLIGATIONS, GUARANTEES, WARRANTIES AND REPRESENTATIONS. SAINT-GOBAIN DISCLAIMS ALL IMPLIED WARRANTIES OF MERCHANTABILITY AND FITNESS FOR A PARTICULAR PURPOSE.