



FURON[®] HPVM VALVE

3 WAY PNEUMATIC
1/4" ORIFICE

Furon HPVM Valves are compact and robust, offering superior performance and reliability in applications involving aggressive chemistries or abrasive slurries. Featuring a common port height among all configurations, Furon HPVM Valves allow for ease of installation and optimum use of precious space. Additionally, Furon HPVM valves feature flow paths specially designed to minimize entrapment of liquids within the valve.

APPLICATIONS

Furon HPVM Valves are ideal for use in the semiconductor industry, or other applications requiring high purity and/or superior chemical resistance.

- Designed for use in ultrapure deionized water and aggressive chemical applications
- Suitable for use in abrasive slurry
- Market applications include Semiconductor, Flat Panel, Photovoltaic, and Chemical Processing

FEATURES AND BENEFITS

- Pressure rated to 80 PSIG (5.5 bar)
- Visual position indicator with option for fiber-optic sensor
- Integral mounting base with top or bottom mount standard
- Common port height among all HPVM configurations simplifies installation
- High purity PFA injection molded or PTFE machined body with PTFE diaphragm
- 100% PTFE wetted flow path
- Patented valve design
- HPVM valve designs have been successfully tested for more than 1 million cycles

Furon® HPVM Valve 3-Way Pneumatic

SPECIFICATIONS

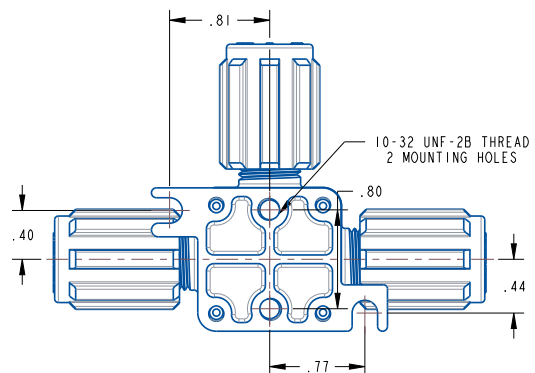
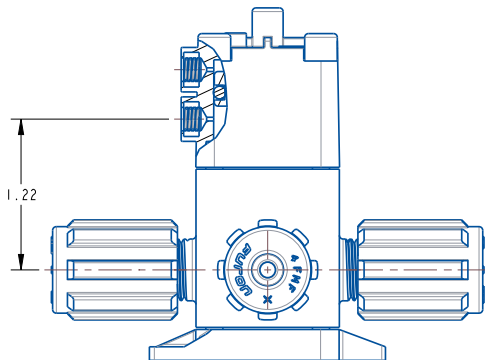
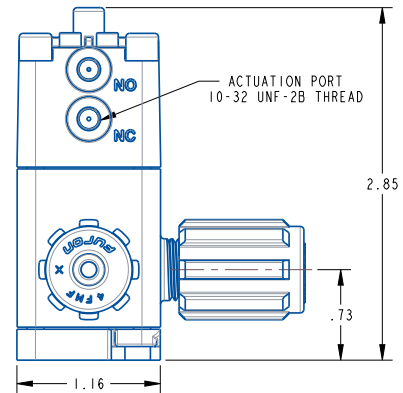
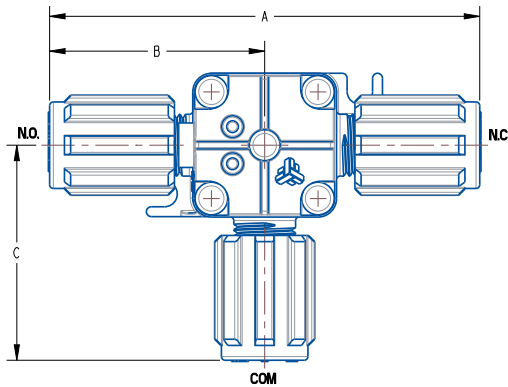
Description	End Connection Type	Orifice		End Connection Size		A		B		C	
		in	mm	in	mm	in	mm	in	mm	in	mm
HPVM3-F44	FlareGrip® II	1/4	6.35	1/4	6.35	3.5	89	1.7	43	1.7	43
HPVM3-F46	FlareGrip® II			3/8	9.52	3.9	99	1.9	48	1.9	48
HPVM3-S30044	Nippon Pillar Super 300®			1/4	6.35	2.6	66	1.3	33	1.3	33
HPVM3-S30046	Nippon Pillar Super 300®			3/8	9.52	3.0	76	1.5	38	1.5	38

* Part number of the standard configuration for the product described in the description column.

OPTIONS

- PFA Flare nuts (add -3)
- Additional end connections available:
 - FNPT
 - Pipe
 - Tube End
- Fiber optic position sensor
- Stainless steel actuation port insert (#10-32)
- Alternative flow patterns
- Custom manifold

Please [contact us](#) for details

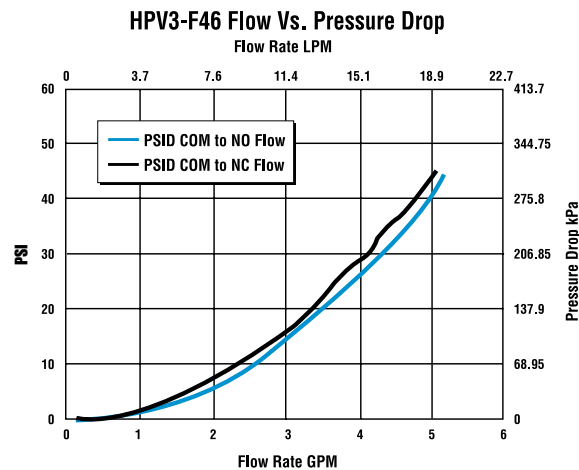


Furon® HPVM Valve 3-Way Pneumatic

TECHNICAL SPECIFICATIONS

Operating Pressure	80 psig (5.5 bar)
Back Pressure	65 psig (4.5 bar)
Actuator Pressure	60 - 100 PSIG (4.1 - 6.9 bar)
Flow	C _v 0.70
Operating Temperature	Ambient: 32°F to 158°F (0°C to 70°C) Media: 32°F to 176°F (0°C to 80°C)
Body	PFA or PTFE
Diaphragm	PTFE

HCl have been tested for more than 2.1 million cycles
 HF have been tested for more than 2.1 million cycles
 Tested for in slurry for more than 1.6 million cycles



U.S. Patents 5575311



Saint-Gobain Performance Plastics

China (+86) 400 888 0198
 sales.PPSCN@saint-gobain.com

Europe (+33) 3 85 20 27 00
 quotes-clm@saint-gobain.com

India (+91) 76208 22999
 pplindia.hc@saint-gobain.com

Japan (+81) 3 6256 9703
 ls-japan@saint-gobain.com

Korea (+82) 2 6098 0180
 LS-Korea@saint-gobain.com

Southeast Asia (+66) 38 667 800
 cs.sgplsea@saint-gobain.com

Taiwan (+886) 2 2503 4201
 Taiwan.ppl@saint-gobain.com

United States (+1) 800-833-5661
 gardengrovequoteteam@saint-gobain.com

All Other Regions
 www.furon.com

NOTE: This document is intended to provide information about the product to enable you to consider whether generally the Product meets your application need and is not intended to provide product specification. This document should not be considered a Product warranty or guaranty. To the extent this document mentions any tests done by Saint-Gobain, such tests are done under controlled laboratory circumstances and hence other factors in your use and application may impact such values. Saint-Gobain strongly recommends that you conduct practical tests simulating the conditions of your application to ensure that the product meets your requirements for your specific application

Furon®, FlareGrip® and Grab Seal™ are registered trademarks of Saint-Gobain Performance Plastics. Nippon Pillar Super 300® is a registered trademark of Nippon Pillar Packing Co.

WARRANTY: Saint-Gobain warrants that the Product will meet specifications at the time of delivery and honor such warranty claims for a period of 18 months after delivery. In the event that you are a distributor purchasing Saint-Gobain Product, any change to specification while in your control as a result of storage conditions or otherwise may cause the above warranty to be voided. THIS IS THE EXCLUSIVE WARRANTY AND IS EXPRESSLY IN LIEU OF ANY AND ALL OTHER OBLIGATIONS, GUARANTEES, WARRANTIES AND REPRESENTATIONS. SAINT-GOBAIN DISCLAIMS ALL IMPLIED WARRANTIES OF MERCHANTABILITY AND FITNESS FOR A PARTICULAR PURPOSE.