



## FURON<sup>®</sup> HPVM VALVE

2 WAY PNEUMATIC  
1/4" ORIFICE

Furon HPVM Valves are compact and robust, offering superior performance and reliability in applications involving aggressive chemistries or abrasive slurries. Featuring a reliable on/off control and a compact footprint with common port height among all configurations, the Furon HPVM Valve allows for ease of installation and optimum use of precious space. Additionally, Furon HPVM valves furnish flow paths specially designed to minimize entrapment of liquids within the valve.

### APPLICATIONS

Furon HPVM Valves are ideal for use in the semiconductor industry, or other applications requiring high purity and/or superior chemical resistance.

- Designed for use in ultrapure deionized water and aggressive chemical applications
- Suitable for use in abrasive slurry
- Market applications include Semiconductor, Flat Panel, Photovoltaic, and Chemical Processing

### FEATURES AND BENEFITS

- Pressure rated to 80 PSIG (5.5 bar)
- Visual position indicator with option for fiber-optic sensor
- Integral mounting base with top or bottom mount standard
- Common port height among all HPVM configurations simplifies installation
- High purity PFA injection molded body with PTFE diaphragm
- HPVM valve designs have been successfully tested for more than 1 million cycles

# Furon® HPVM Valve 2-Way Pneumatic

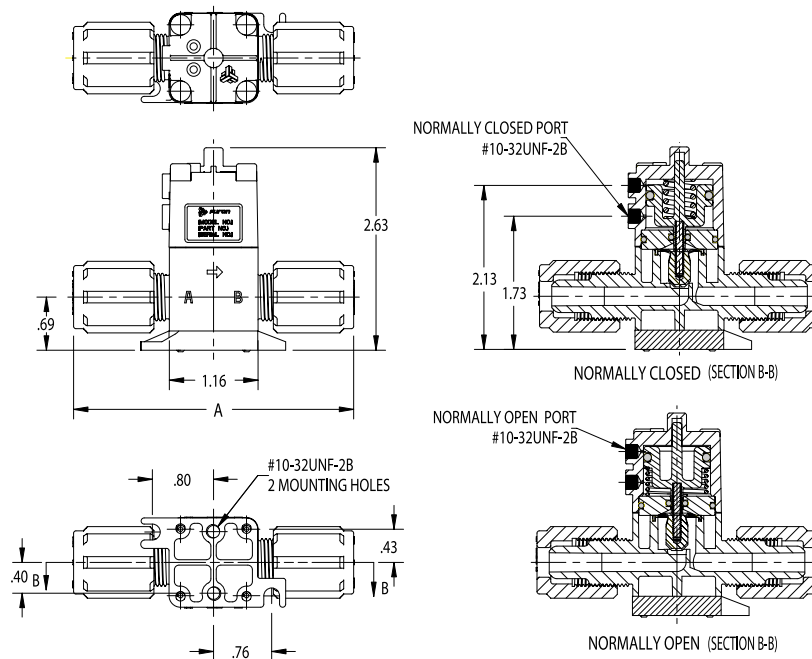
## SPECIFICATIONS

Part Number	Actuation	End Connection Type	Orifice		End Connection Size		A		
			in	mm	in	mm	in	mm	
HPVM2-F44-NC	Normally Closed	FlareGrip® II	1/4	6.35	1/4	6.35	3.5	89.9	
HPVM2-F44-NO	Normally Open	FlareGrip® II			3/8	9.52	3.7	95.3	
HPVM2-F46-NC	Normally Closed	FlareGrip® II			1/4	6.35	2.7	68.58	
HPVM2-F46-NO	Normally Open	FlareGrip® II			3/8	9.52	3.1	78.74	
HPVM2-S30044-NC	Normally Closed	Nippon Pillar Super 300®							
HPVM2-S30044-NO	Normally Open	Nippon Pillar Super 300®							
HPVM2-S30046-NC	Normally Closed	Nippon Pillar Super 300®							
HPVM2-S30046-NO	Normally Open	Nippon Pillar Super 300®							

## OPTIONS

- PFA Flare nuts (add -3)
- Additional end connections available:
  - FNPT
  - Pipe
  - Tube End
- Fiber optic position sensor
- Stainless steel actuation port insert (#10-32)
- DI Micro-adjust bypass
- Stroke limiter
- Custom manifold
- 3/16" (4.76 mm) orifice option

[Please contact us](#) for details

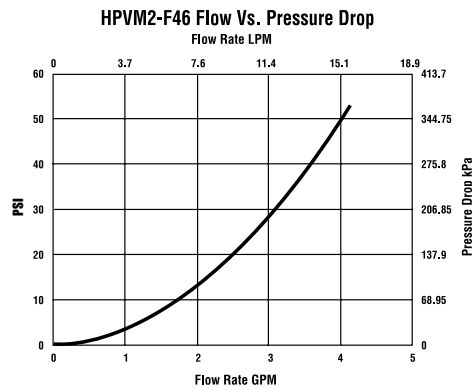


# Furon® HPVM Valve 2-Way Pneumatic

## TECHNICAL SPECIFICATIONS

Operating Pressure	80 psig (5.5 bar)
Back Pressure	80 psig (5.5 bar)
Actuator Pressure	60 - 100 PSIG (4.1 - 6.9 bar)
Flow	C <sub>v</sub> 0.70
Operating Temperature	Ambient: 32°F to 140°F (0°C to 60°C) Media: 32°F to 203°F (0°C to 95°C)
Body	PFA or PTFE
Diaphragm	PTFE
Actuator Housing	Polypropylene

HCl have been tested for more than 2.1 million cycles  
 HF have been tested for more than 2.1 million cycles  
 Tested for in slurry for more than 1.6 million cycles



### Saint-Gobain Performance Plastics

**China** (+8621) 5472 1568  
 Sales.PPLCN@saint-gobain.com

**Europe** (+33) 3 85 20 27 00  
 quotes-clm@saint-gobain.com

**India** (+91) 80 46978888  
 pplindia.hc@saint-gobain.com

**Japan** (+81) 3 6256 9703  
 ls-japan@saint-gobain.com

**Korea** (+82) 2 6098 0180  
 LS-Korea@saint-gobain.com

**Southeast Asia** (+66) 38 667 800  
 cs.sgplsea@saint-gobain.com

**Taiwan** (+886) 2 2503 4201  
 Taiwan.ppl@saint-gobain.com

**United States** (+1) 800-833-5661  
 gardengrovequoteteam@saint-gobain.com

**All Other Regions**  
 www.furon.com

**NOTE:** This document is intended to provide information about the product to enable you to consider whether generally the Product meets your application need and is not intended to provide product specification. This document should not be considered a Product warranty or guaranty. To the extent this document mentions any tests done by Saint-Gobain, such tests are done under controlled laboratory circumstances and hence other factors in your use and application may impact such values. Saint-Gobain strongly recommends that you conduct practical tests simulating the conditions of your application to ensure that the product meets your requirements for your specific application

Furon®, FlareGrip® and Grab Seal™ are registered trademarks of Saint-Gobain Performance Plastics. Nippon Pillar Super 300® is a registered trademark of Nippon Pillar Packing Co.

**WARRANTY:** Saint-Gobain warrants that the Product will meet specifications at the time of delivery and honor such warranty claims for a period of 18 months after delivery. In the event that you are a distributor purchasing Saint-Gobain Product, any change to specification while in your control as a result of storage conditions or otherwise may cause the above warranty to be voided. THIS IS THE EXCLUSIVE WARRANTY AND IS EXPRESSLY IN LIEU OF ANY AND ALL OTHER OBLIGATIONS, GUARANTEES, WARRANTIES AND REPRESENTATIONS. SAINT-GOBAIN DISCLAIMS ALL IMPLIED WARRANTIES OF MERCHANTABILITY AND FITNESS FOR A PARTICULAR PURPOSE.