

Furon[®] HPVM Valve

Manually Actuated, 2-Way Multi-Turn Valve (1/4" Orifice)

Furon HPVM Valves are compact and robust, offering superior performance and reliability in applications involving aggressive chemistries or abrasive slurries. Featuring a compact footprint with common port height among all configurations, Furon HPVM Valves allow for ease of installation and optimum use of precious space. Additionally, Furon HPVM valves feature flow paths specially designed to minimize entrapment of liquids within the valve.

Applications

Furon HPVM Valves are ideal for use in the semiconductor industry, or other applications requiring high purity and/or superior chemical resistance.

- Designed for use in ultrapure deionized water and aggressive chemical applications
- Suitable for use in abrasive slurry
- Market applications include Semiconductor, Flat Panel, Photovoltaic, and Chemical Processing



Features and Benefits

- High pressure capability of up to 80 PSIG (552 kPa) where footprint reduction is a primary design constrain
- Over 3 turns from closed to full open for fine adjustments
- Injection molded high-purity PFA body with PTFE diaphragm
- Integral mounting base with top or bottom mount standard
- Panel mount feature is standard
- Leak detection port
- HPVM valve designs have been successfully tested for more than 1 million cycles

ASK AN ENGINEER

Furon HPVM-Valve - Manually Actuated, 2-Way Multi-Turn

Part Number	End Connection Type	Orifice		Port Size		A	
		in	mm	in	mm	in	mm
HPVM2-F44-MT	FlareGrip® II	1/4	6.35	1/4	6.35	3.5	89.9
HPVM2-F46-MT	FlareGrip® II			3/8	9.52	3.7	94
HPVM2-S30044-MT	Nippon Pillar Super 300®	1/4	6.35	1/4	6.35	2.5	63.5
HPVM2-S30046-MT	Nippon Pillar Super 300®			3/8	9.52	3.1	78.7

Ordering Specifications

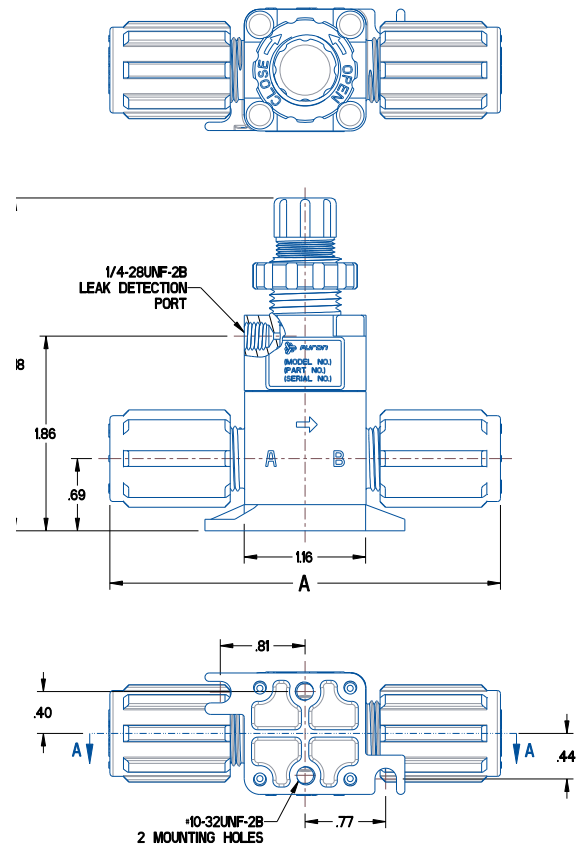
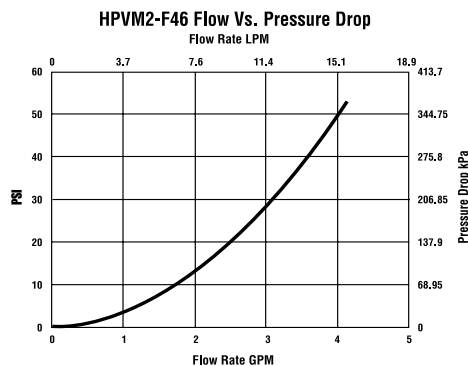
Operating Pressure	80 psig (5.5 bar)
Back Pressure	80 psig (5.5 bar)
Flow	C _v 0.70
Operating Temperature	Ambient: 32°F to 140°F (0°C to 60°C) Media: 32°F to 203°F (0°C to 95°C)
Body	PFA or PTFE
Diaphragm	PTFE
Actuator Housing	Polypropylene

HCI have been tested for more than 2.1 million cycles
 HF have been tested for more than 2.1 million cycles
 Tested for in slurry for more than 1.6 million cycles

Options

- PFA Flare nuts (add -3)
- Other end connection types available:
 - FNPT
 - Pipe
 - Tube End
- Custom manifolds
- 3/16" Orifice Option

[Please contact us](#) for further details >>



Saint-Gobain Performance Plastics



China (+8621) 5472 1568
 Sales.PPLCN@saint-gobain.com

Europe (+33) 3 85 20 27 00
 quotes-clm@saint-gobain.com

India (+91) 80 46978888
 pplindia.hc@saint-gobain.com

Japan (+81) 3 6256 9703
 ls-japan@saint-gobain.com

Korea (+82) 2 6098 0180
 LS-Korea@saint-gobain.com

Southeast Asia (+66) 38 667 800
 cs.sgplsea@saint-gobain.com

Taiwan (+886) 2 2503 4201
 Taiwan.ppl@saint-gobain.com

United States (+1) 800-833-5661
 gardengrovequoteteam@saint-gobain.com

All Other Regions
 www.furon.com

NOTE: This document is intended to provide information about the product to enable you to consider whether generally the Product meets your application need and is not intended to provide product specification. This document should not be considered a Product warranty or guaranty. To the extent this document mentions any tests done by Saint-Gobain, such tests are done under controlled laboratory circumstances and hence other factors in your use and application may impact such values. Saint-Gobain strongly recommends that you conduct practical tests simulating the conditions of your application to ensure that the product meets your requirements for your specific application.

Furon®, FlareGrip® II and Grab Seal™ are registered trademarks of Saint-Gobain Performance Plastics. Nippon Pillar Super 300® is a registered trademark of Nippon Pillar Packing Co.

WARRANTY: Saint-Gobain warrants that the Product will meet specifications at the time of delivery and honor such warranty claims for a period of 18 months after delivery. In the event that you are a distributor purchasing Saint-Gobain Product, any change to specification while in your control as a result of storage conditions or otherwise may cause the above warranty to be voided. THIS IS THE EXCLUSIVE WARRANTY AND IS EXPRESSLY IN LIEU OF ANY AND ALL OTHER OBLIGATIONS, GUARANTEES, WARRANTIES AND REPRESENTATIONS. SAINT-GOBAIN DISCLAIMS ALL IMPLIED WARRANTIES OF MERCHANTABILITY AND FITNESS FOR A PARTICULAR PURPOSE.