



FURON[®] HPVM (MINI) VALVE

2 WAY MANUAL
TOGGLE
1/8" ORIFICE

Furon HPVM valves are compact and robust and offer superior performance and reliability in applications involving aggressive chemistries.

Furon HPVM valve construction is based on Saint-Gobain's industry-proven design but specifically geared to reduce liquid entrapment and improve clean up time. Featuring a compact footprint and a large variety of connection styles, Furon HPVM valves can easily be integrated into installations where space is at a premium.

APPLICATIONS

Engineered to improve clean up time and minimize liquid entrapment, Furon HPVM valves are ideal for use in the semiconductor industry or applications that require the use of high purity and/or superior chemicals.

FEATURES AND BENEFITS

- Pressure rated up to 80 PSIG
- True 1/8" (3.17 mm) orifice valve
- Lowest internal volume in the industry for a 1/8" valve
- Optimum Cv
- HPVM valves with an 1/8" orifice design have been tested for more than 1 million cycles
- Compatible integration into our custom manifold solution

Furon® HPVM (Mini) Valve 2-Way Manual Toggle

SPECIFICATIONS

| Description | End Connection Type | Orifice | | End Connection Size | |
|-----------------|--------------------------|---------|------|---------------------|------|
| | | in | mm | in | mm |
| HPVM2-S30022-TG | Nippon Pillar Super 300® | 1/8 | 3.17 | 1/8 | 3.17 |

OPTIONS

Additional end connections available:

- FNPT
- Grab Seal™
- Custom Manifold

[Please contact us](#) for details

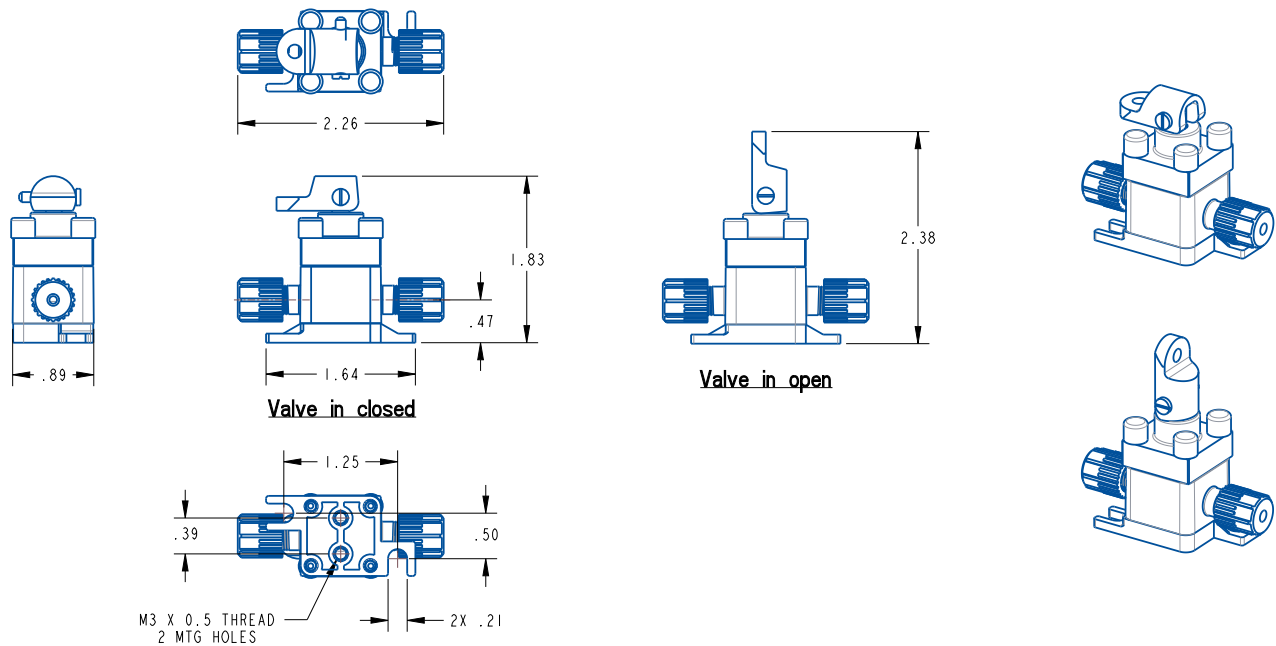
ADDITIONAL FURON HPVM VALVES

Furon HPV Valve (Mini) - Pneumatically Actuated, 3-Way
 Furon HPVM Valve (Mini) - Manually Actuated, 2-Way Multi-Turn
 Furon HPVM Valve (Mini) - Pneumatically Actuated, 2-Way NC & NO

TECHNICAL SPECIFICATIONS

| | |
|----------------------------|--|
| Liquid Operating Pressure | 100 psig (6.9 bar) |
| Liquid Back Pressure | 100 psig (6.9 bar) |
| C _v Flow Factor | 0.06 |
| Operating Temperature* | Ambient: 32°F to 140°F (0°C to 60°C) Media: 32°F to 203°F (0°C to 95°C) |

*[Please contact us](#) for higher temperature



Saint-Gobain Performance Plastics

China (+86) 400 888 0198
sales.PPSCN@saint-gobain.com

Europe (+33) 3 85 20 27 00
quotes-clm@saint-gobain.com

India (+91) 76208 22999
pplindia.hc@saint-gobain.com

Japan (+81) 3 6256 9703
ls-japan@saint-gobain.com

Korea (+82) 2 6098 0180
LS-Korea@saint-gobain.com

Southeast Asia (+66) 38 667 800
cs.sgplsea@saint-gobain.com

Taiwan (+886) 2 2503 4201
Taiwan.ppl@saint-gobain.com

United States (+1) 800-833-5661
gardengrovequoteteam@saint-gobain.com

All Other Regions
www.furon.com

NOTE: This document is intended to provide information about the product to enable you to consider whether generally the Product meets your application need and is not intended to provide product specification. This document should not be considered a Product warranty or guaranty. To the extent this document mentions any tests done by Saint-Gobain, such tests are done under controlled laboratory circumstances and hence other factors in your use and application may impact such values. Saint-Gobain strongly recommends that you conduct practical tests simulating the conditions of your application to ensure that the product meets your requirements for your specific application

Furon® and Grab Seal™ are registered trademarks of Saint-Gobain Performance Plastics. Nippon Pillar Super 300® is a registered trademark of Nippon Pillar Packing Co.

WARRANTY: Saint-Gobain warranties that the Product will meet specifications at the time of delivery and honor such warranty claims for a period of 18 months after delivery. In the event that you are a distributor purchasing Saint-Gobain Product, any change to specification while in your control as a result of storage conditions or otherwise may cause the above warranty to be voided. THIS IS THE EXCLUSIVE WARRANTY AND IS EXPRESSLY IN LIEU OF ANY AND ALL OTHER OBLIGATIONS, GUARANTEES, WARRANTIES AND REPRESENTATIONS. SAINT-GOBAIN DISCLAIMS ALL IMPLIED WARRANTIES OF MERCHANTABILITY AND FITNESS FOR A PARTICULAR PURPOSE.