



## FURON<sup>®</sup> MINI CHECK VALVE

MEDIA ACTUATED  
1/4 & 3/8" ORIFICE

Furon Mini Check Valves are injection molded, high-purity valves which allow fluids to pass in only one direction, preventing back flow. Our Mini Check Valves feature 100% metal-free and elastomer-free construction and high purity PFA wetted flow path. Compact design allows for easy inline installation. Furon Mini Check Valves are engineered for use in fluid temperatures up to 203°F (95°C) and operating pressures up to 120 PSIG (8.3 bar).

### APPLICATIONS

- Prevent drain down of chemical delivery lines
- Prevent back flow in process delivery
- Transfer of aggressive or ultrapure chemicals commonly used in the Semiconductor and Chemical Processing industries

### FEATURES AND BENEFITS

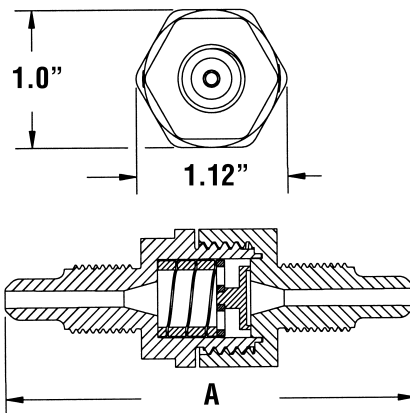
- Injection molded, high purity PFA and PTFE wetted flow path
- 100% metal-free O-Ring free design
- <1 PSIG (0.07 bar) cracking pressure
- High purity design and construction reduces possibility of process contamination
- Easy in-line installation
- Protects against possibility of back flow with minimal impact to system

## SPECIFICATIONS

Description	End Connection Type	Orifice		End Connection Size		A	
		in	mm	in	mm	in	mm
MCVM-F44	FlareGrip® II	1/4	6.35	1/4	6.35	3.03	77.0
MCVM-F66	FlareGrip® II	3/8	9.52	3/8	9.52	3.19	81.0
MCVM-S30044	Nippon Pillar Super 300®	1/4	6.35	1/4	6.35	2.22	56.4
MCVM-S30066	Nippon Pillar Super 300®	3/8	9.52	3/8	9.52	2.54	64.6

## TECHNICAL SPECIFICATIONS

Operating Pressure	120 psig (8.3 bar)
Back Pressure	120 psig (8.3 bar)
Cracking Pressure	<1 PSIG (0.07 bar)
Min. Sealing Back Pressure	5 psig (0.35 bar)
Flow Factor	0.1 - 1.9
Max. Operating Temperature	Ambient: 149°F (65°C) Media: 203°F (95°C)
Body	PFA
Spring	PFA

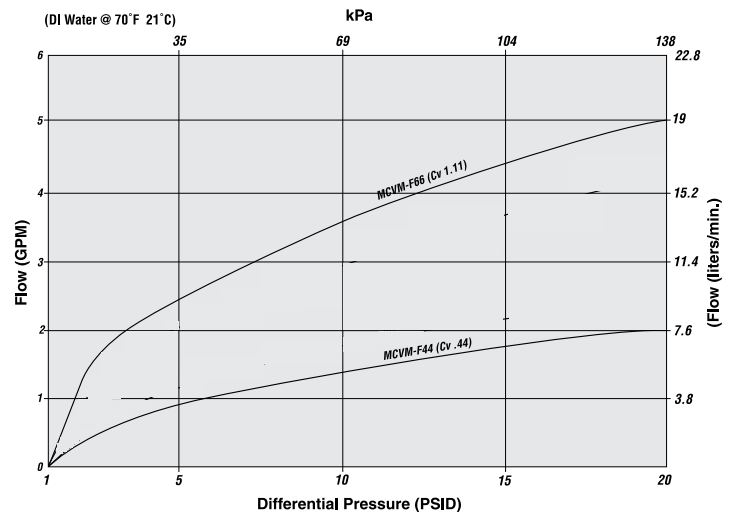


## OPTIONS

- Pillar “Y Type” sleeves for thin-wall tubing.
- Other end connections not listed

[Please contact us](#) for further details and different cracking pressure options

## Pressure Drop Vs. Flow



## Saint-Gobain Performance Plastics

**China** (+8621) 5472 1568  
Sales.PPLCN@saint-gobain.com

**Europe** (+33) 3 85 20 27 00  
quotes-clm@saint-gobain.com

**India** (+91) 80 46978888  
pplindia.hc@saint-gobain.com

**Japan** (+81) 3 6256 9703  
ls-japan@saint-gobain.com

**Korea** (+82) 2 6098 0180  
LS-Korea@saint-gobain.com

**Southeast Asia** (+66) 38 667 800  
cs.sgpplsea@saint-gobain.com

**Taiwan** (+886) 2 2503 4201  
Taiwan.ppl@saint-gobain.com

**United States** (+1) 800-833-5661  
gardengrovequoteteam@saint-gobain.com

**All Other Regions**  
www.furon.com

**NOTE:** This document is intended to provide information about the product to enable you to consider whether generally the Product meets your application need and is not intended to provide product specification. This document should not be considered a Product warranty or guaranty. To the extent this document mentions any tests done by Saint-Gobain, such tests are done under controlled laboratory circumstances and hence other factors in your use and application may impact such values. Saint-Gobain strongly recommends that you conduct practical tests simulating the conditions of your application to ensure that the product meets your requirements for your specific application

Furon® and FlareGrip® are registered trademarks of Saint-Gobain Performance Plastics. Nippon Pillar Super 300® is a registered trademark of Nippon Pillar Packing Co.

**WARRANTY:** Saint-Gobain warrants that the Product will meet specifications at the time of delivery and honor such warranty claims for a period of 18 months after delivery. In the event that you are a distributor purchasing Saint-Gobain Product, any change to specification while in your control as a result of storage conditions or otherwise may cause the above warranty to be voided. THIS IS THE EXCLUSIVE WARRANTY AND IS EXPRESSLY IN LIEU OF ANY AND ALL OTHER OBLIGATIONS, GUARANTEES, WARRANTIES AND REPRESENTATIONS. SAINT-GOBAIN DISCLAIMS ALL IMPLIED WARRANTIES OF MERCHANTABILITY AND FITNESS FOR A PARTICULAR PURPOSE.