



FURON[®] CDV VALVE

3-WAY PNEUMATIC
1/2" ORIFICE

Furon CDV Valves are engineered to handle the most aggressive and corrosive ultra-high purity media while maintaining the highest level of media purity. Featuring a compact footprint with common port height among all configurations, Furon CDV Valves allow for ease of installation and optimum use of precious space. Additionally, Furon CDV Valves feature flow paths specially designed to minimize entrapment of liquids within the valve.

APPLICATIONS

Furon CDV Valves are ideal for use in the semiconductor industry, or other applications requiring high purity and/or superior chemical resistance.

- Designed for use in ultra-pure deionized water and aggressive chemical applications
- Suitable for use in abrasive slurry
- Market applications include Semiconductor, Flat Panel, Photovoltaic and Chemical Processing

FEATURES AND BENEFITS

- Compact design
- Visual position indication with provision for fiber optic position sensor
- High purity, virgin PTFE wetted flow path and diaphragm
- No exposed metallics
- Leak detection capability
- Uniform modular design ideally suited for customized manifold configurations
- High back-pressure capability
- CDV valve pneumatic 2-wave designs have been successfully tested for more than 1 million cycles

Furon® CDV Valve 3-Way Pneumatic

SPECIFICATIONS

Description	End Connection Type	Orifice		End Connection Size		A	
		in	mm	in	mm	in	mm
CDV3-F88	FlareGrip® II	1/2	12.7	1/2	12.7	4.5	114.3
CDV3-S30088	Nippon Pillar Super 300®			Please contact us			
CDV3-F812	FlareGrip® II	3/4	19.1	3/4	19.1	4.8	121.9
CDV3-S300812	Nippon Pillar Super 300®			Please contact us			

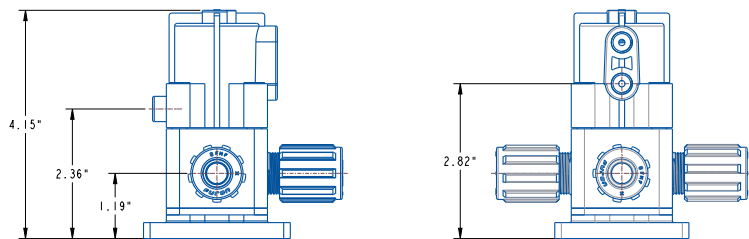
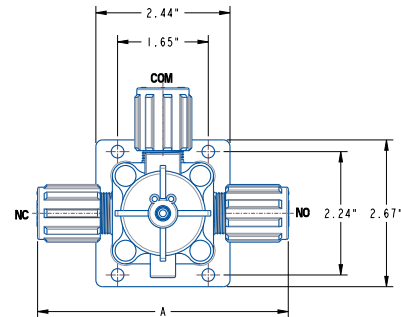
TECHNICAL SPECIFICATIONS

Operating Pressure	80 psig (5.5 bar)
Max. Outlet Liquid Pressure	80 psig (5.5 bar)
Actuator Pressure	60 - 90 PSIG (4.1 - 6.2 Bar)
Flow	Cv 3
Operating Temperature	Ambient: 122°F (50°C) Media: 203°F (95°C)
Body	PTFE
Diaphragm	PTFE
Actuator Housing	Polypropylene

Pneumatic 2-Way version tested with HCl for more than 1.1 million cycles and with HF for more than 1.8 million cycles

OPTIONS

- PFA Flare nuts (add -3)
- Other end connection types available. [Please contact us](#) for:
 - FNPT
 - Pipe
 - Tube End
 - Others not listed
- Fiber optic position sensor
- Custom manifolds
- Alternative flow paths



Saint-Gobain Performance Plastics

China (+86) 400 888 0198
sales.PPSCN@saint-gobain.com

Europe (+33) 3 85 20 27 00
quotes-clm@saint-gobain.com

India (+91) 76208 22999
pplindia.hc@saint-gobain.com

Japan (+81) 3 6256 9703
ls-japan@saint-gobain.com

Korea (+82) 2 6098 0180
LS-Korea@saint-gobain.com

Southeast Asia (+66) 38 667 800
cs.sgplsea@saint-gobain.com

Taiwan (+886) 2 2503 4201
Taiwan.ppl@saint-gobain.com

United States (+1) 800-833-5661
gardengrovequoteteam@saint-gobain.com

All Other Regions
www.furon.com



NOTE: This document is intended to provide information about the product to enable you to consider whether generally the Product meets your application need and is not intended to provide product specification. This document should not be considered a Product warranty or guaranty. To the extent this document mentions any tests done by Saint-Gobain, such tests are done under controlled laboratory circumstances and hence other factors in your use and application may impact such values. Saint-Gobain strongly recommends that you conduct practical tests simulating the conditions of your application to ensure that the product meets your requirements for your specific application

Furon®, FlareGrip® and FuseBond™ are registered trademarks of Saint-Gobain Performance Plastics. Nippon Pillar Super 300® is a registered trademark of Nippon Pillar Packing Co.

WARRANTY: Saint-Gobain warrants that the Product will meet specifications at the time of delivery and honor such warranty claims for a period of 18 months after delivery. In the event that you are a distributor purchasing Saint-Gobain Product, any change to specification while in your control as a result of storage conditions or otherwise may cause the above warranty to be voided. THIS IS THE EXCLUSIVE WARRANTY AND IS EXPRESSLY IN LIEU OF ANY AND ALL OTHER OBLIGATIONS, GUARANTEES, WARRANTIES AND REPRESENTATIONS. SAINT-GOBAIN DISCLAIMS ALL IMPLIED WARRANTIES OF MERCHANTABILITY AND FITNESS FOR A PARTICULAR PURPOSE.