



## FURON<sup>®</sup> CDV VALVE

2-WAY MANUAL  
TOGGLE  
1/2" ORIFICE

Furon CDV 2-way diaphragm valves are engineered for precise on/off control and to handle the most aggressive and corrosive ultra-high purity media while maintaining the highest level of media purity. Featuring a compact footprint with common port height among all configurations, Furon CDV Valves allow for ease of installation and optimum use of precious space. Additionally, Furon CDV Valves feature flow paths specially designed to minimize entrapment of liquids within the valve.

### APPLICATIONS

Furon CDV Valves are ideal for use in the semiconductor industry, or other applications requiring high purity and/or superior chemical resistance.

- Designed for use in ultra-pure deionized water and aggressive chemical applications
- Suitable for use in abrasive slurry
- Market applications include Semiconductor, Flat Panel, Photovoltaic and Chemical Processing

### FEATURES AND BENEFITS

- Injection molded, ultra-high purity, PFA-wetted flow path with virgin PTFE diaphragm
- Panel mount option standard
- High back-pressure capability
- Patented diaphragm technology
- Uniform modular design ideally suited for customized manifold configurations
- Suitable for high back-pressure applications
- CDV valve pneumatic 2-way designs have been successfully tested for more than 1 million cycles

# Furon® CDV Valve 2-Way Manual Toggle

## SPECIFICATIONS

Description	End Connection Type	Orifice		End Connection Size		A	
		in	mm	in	mm	in	mm
CDV2-F88-TG	FlareGrip® II	1/2	12.7	1/2	12.7	4.8	121.9
CDV2-S30088-TG	Nippon Pillar Super 300®					4.0	101.6
CDV2-788-TG	FuseBond™*			DN 15	3.9	99.0	
CDV2-F812-TG	FlareGrip® II	3/4	19.1		4.8	121.9	
CDV2-S300812-TG	Nippon Pillar Super 300®				Please contact us		

\* End Connections are Nominal by Schedule 40 Pipe

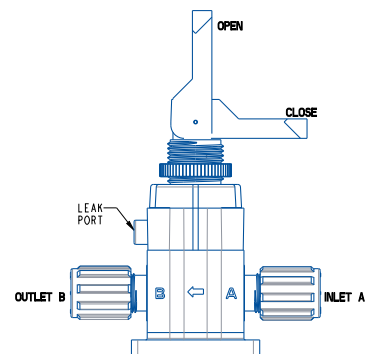
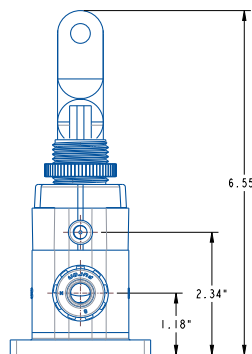
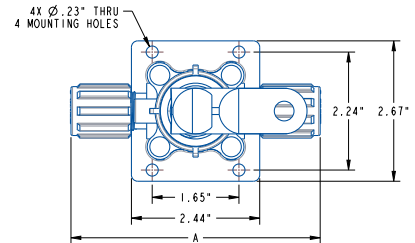
## TECHNICAL SPECIFICATIONS

Operating Pressure	80 psig (5.5 bar)
Max. Outlet Liquid Pressure	80 psig (5.5 bar)
Flow	Cv 3
Operating Temperature	Ambient: 122°F (50°C) Media: 212°F (100°C)
Body	PFA
Diaphragm	PTFE
Actuator Housing	Polypropylene

Pneumatic 2-Way version tested with HCl for more than 1.1 million cycles and with HF for more than 1.8 million cycles

## OPTIONS

- PFA Flare nuts (add -3)
- Other end connection types available. [Please contact us](#) for:
  - FNPT
  - Pipe
  - Tube End
  - Others not listed
- Custom manifolds



## Saint-Gobain Performance Plastics

**China** (+8621) 5472 1568  
Sales.PPLCN@saint-gobain.com

**Europe** (+33) 3 85 20 27 00  
quotes-clm@saint-gobain.com

**India** (+91) 80 46978888  
pplindia.hc@saint-gobain.com

**Japan** (+81) 3 6256 9703  
ls-japan@saint-gobain.com

**Korea** (+82) 2 6098 0180  
LS-Korea@saint-gobain.com

**Southeast Asia** (+66) 38 667 800  
cs.sgplsea@saint-gobain.com

**Taiwan** (+886) 2 2503 4201  
Taiwan.ppl@saint-gobain.com

**United States** (+1) 800-833-5661  
gardengrovequoteteam@saint-gobain.com

**All Other Regions**  
www.furon.com



**NOTE:** This document is intended to provide information about the product to enable you to consider whether generally the Product meets your application need and is not intended to provide product specification. This document should not be considered a Product warranty or guaranty. To the extent this document mentions any tests done by Saint-Gobain, such tests are done under controlled laboratory circumstances and hence other factors in your use and application may impact such values. Saint-Gobain strongly recommends that you conduct practical tests simulating the conditions of your application to ensure that the product meets your requirements for your specific application

Furon®, FlareGrip® and FuseBond™ are registered trademarks of Saint-Gobain Performance Plastics. Nippon Pillar Super 300® is a registered trademark of Nippon Pillar Packing Co.

**WARRANTY:** Saint-Gobain warrants that the Product will meet specifications at the time of delivery and honor such warranty claims for a period of 18 months after delivery. In the event that you are a distributor purchasing Saint-Gobain Product, any change to specification while in your control as a result of storage conditions or otherwise may cause the above warranty to be voided. THIS IS THE EXCLUSIVE WARRANTY AND IS EXPRESSLY IN LIEU OF ANY AND ALL OTHER OBLIGATIONS, GUARANTEES, WARRANTIES AND REPRESENTATIONS. SAINT-GOBAIN DISCLAIMS ALL IMPLIED WARRANTIES OF MERCHANTABILITY AND FITNESS FOR A PARTICULAR PURPOSE.