

FURON[®] PPRD2 PUMP

PNEUMATIC
DOSING PUMP

8 - 80 ML
STROKE CAPACITY

The Furon PPRD2 Pump is pneumatically operated: one bellow made from PTFE is driven forward and backward to deliver each dose of chemical. Furon PPRD2 Pumps come with either pneumatic or inductive end position sensors. They can be operated according to various modes: single shot, timer, preset number of strokes, etc, depending on the characteristics of the control unit selected.

All Furon PPRD2 Pump wetted components are manufactured with High-Purity PFA and PTFE and are suitable for pumping even the most corrosive concentrated chemicals (acids and solvents). All other components are manufactured with high technology materials; Our pumps are assembled in our cleanroom, tested with DI water, cleaned, then double sealed in plastic bags.

APPLICATIONS

- Dosing of Ultrapure chemicals in Semiconductor fabs
- Dispensing of sensitive fluids
- Dispensing of corrosive, aggressive and ultra pure fluids

FEATURES AND BENEFITS

- All wetted parts made of High-Purity PFA HP or Virgin PTFE
- Assembled, cleaned and packed in cleanroom
- Self-priming
 - Easy to start
- Compact and clear construction
 - Easy to locate and maintain
- Clever manual tuning of the dose from 8 to 80 ml
 - Easy to set up
- +/- 1% accuracy and repeatability*

*When the dose is set and the repeatability is 1% of the set point

Furon® PPRD2 Pump

SPECIFICATIONS

| Part Number | End Stroke Sensor | Flare Type Fluid Connections | |
|-------------|-------------------|------------------------------|---------|
| | | in | mm |
| PPRD2 208 | Pneumatic | 5/16 x 3/8 | 8 x 10 |
| PPRD2 210 | | 3/8 x 1/2 | 10 x 13 |
| PPRD2 308 | Inductive | 5/16 x 3/8 | 8 x 10 |
| PPRD2 310 | | 3/8 x 1/2 | 10 x 13 |

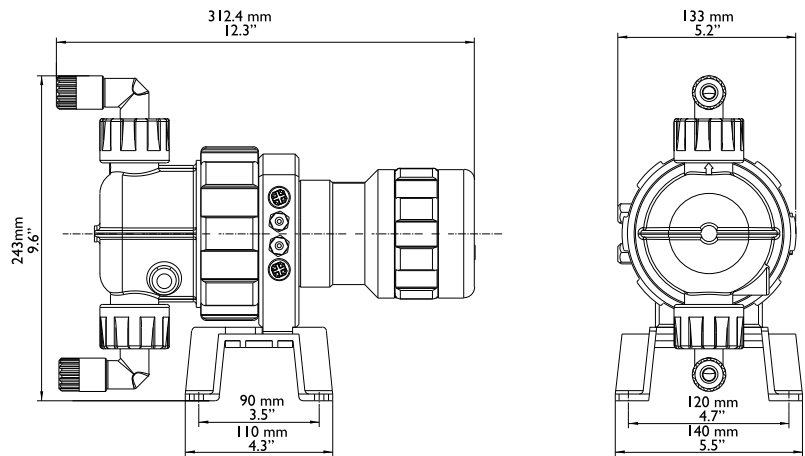
CONTROL BOX FOR PNEUMATIC VERSION ORDERING INFORMATION

| Part Number | Sensor Type | Control Type | Description |
|-------------|-------------|------------------------|---|
| 50 000 41 | Pneumatic | Single Shot | Pump delivers one dose and stops |
| 50 000 42 | Pneumatic | Timer | Pump delivers a dose at pre-set time intervals (adjustable between 2 and 30 seconds) until stopped |
| 50 000 44 | Pneumatic | Preset Counter | Pump delivers a preset number of doses |
| 50 000 43 | Pneumatic | Timer + Preset Counter | Pump delivers a dose at pre-set time intervals (adjustable between 2 and 30 seconds) until a pre-set number of doses is reached |

TECHNICAL SPECIFICATIONS

| | |
|-------------------------|--|
| Single Shot | 8–80 ml |
| Flow Rate | 0–1 GPM (0–240 l/h) |
| Air Operating Pressure | 40–70 PSI (3–5 bar) |
| Max. Delivery Pressure | 60 PSI (4 bar) |
| Max. Air Consumption | 3.5 SCFM (6m ³ /h) |
| Air Connection | Tubing 0.1 x 0.15 (2.7 x 4 mm) |
| Operating Temperature | Media: 212°F (100°C) Ambient: 32°F to 140°F (0°C to 60°C) |
| Weight | 8 lbs (3.6 kg) |
| Dispense Accuracy | +/- 1% |
| Dispense Repeatability | +/- 1% |
| Maximum Fluid Viscosity | 500 cps* |

* Please contact us for higher viscosity.



Saint-Gobain Performance Plastics

China (+86) 400 888 0198
sales.PPSCN@saint-gobain.com

Europe (+33) 3 85 20 27 00
quotes-clm@saint-gobain.com

India (+91) 76208 22999
pplindia.hc@saint-gobain.com

Japan (+81) 3 6256 9703
ls-japan@saint-gobain.com

Korea (+82) 2 6098 0180
LS-Korea@saint-gobain.com

Southeast Asia (+66) 38 667 800
cs.sgplsea@saint-gobain.com

Taiwan (+886) 2 2503 4201
Taiwan.ppl@saint-gobain.com

United States (+1) 800-833-5661
gardengrovequoteteam@saint-gobain.com

All Other Regions
www.furon.com

NOTE: This document is intended to provide information about the product to enable you to consider whether generally the Product meets your application need and is not intended to provide product specification. This document should not be considered a Product warranty or guaranty. To the extent this document mentions any tests done by Saint-Gobain, such tests are done under controlled laboratory circumstances and hence other factors in your use and application may impact such values. Saint-Gobain strongly recommends that you conduct practical tests simulating the conditions of your application to ensure that the product meets your requirements for your specific application

Furon® is a registered trademark of Saint-Gobain Performance Plastics.

WARRANTY: Saint-Gobain warrants that the Product will meet specifications at the time of delivery and honor such warranty claims for a period of 18 months after delivery. In the event that you are a distributor purchasing Saint-Gobain Product, any change to specification while in your control as a result of storage conditions or otherwise may cause the above warranty to be voided. THIS IS THE EXCLUSIVE WARRANTY AND IS EXPRESSLY IN LIEU OF ANY AND ALL OTHER OBLIGATIONS, GUARANTEES, WARRANTIES AND REPRESENTATIONS. SAINT-GOBAIN DISCLAIMS ALL IMPLIED WARRANTIES OF MERCHANTABILITY AND FITNESS FOR A PARTICULAR PURPOSE.