



FURON[®] HIGH TEMPERATURE PUMP

AIR OPERATED,
BELLOWED PUMP

20 LPM/5 GPM,
50 LPM/13 GPM

Furon High Temperature Pumps are designed for ultra-high purity media and are constructed with no metal parts. All wetted parts are manufactured from high-purity PFA and PTFE and are suitable for pumping even most aggressive chemicals. All other (non-wetted) components are manufactured from advanced engineering thermoplastics including for some of them fiber reinforcement enabling premium performance even at elevated temperature. The self-priming capability of our product provides an easy installation and setup.

APPLICATIONS

Transfer of hot ultrapure acids and other chemistry used in the semiconductor industry.

FEATURES AND BENEFITS

- No Metal parts
- 100% high purity PFA and PTFE wetted flow path
- Self-priming
- Maintenance friendly design
- For liquid temperature up to 350°F (180°C)
- Warranty up to 5 years

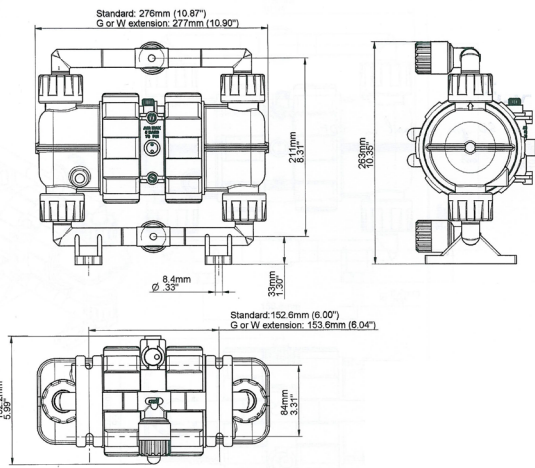
Furon® High Temperature Pump

SPECIFICATIONS

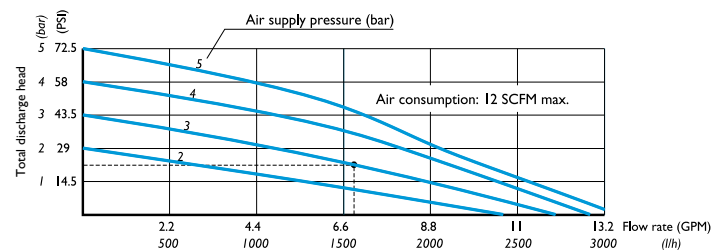
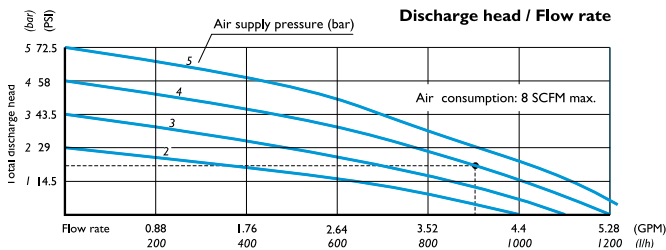
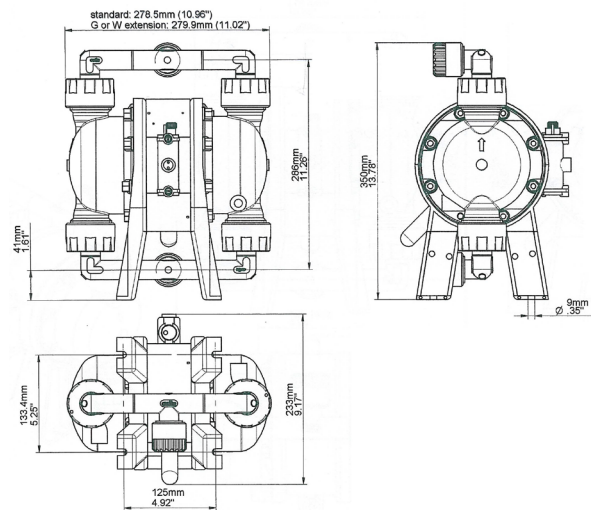
Part Number	End Connection Type	Maximum Flow Rate		End Connection Size		Maximum Suction Head		Maximum Air Pressure		Maximum Discharge Pressure		Maximum Media Temperature*		Weight	
		gpm	lpm	in	mm	ft	m	psi	bar	psi	bar	°F	°C	lbs	kg
PRH2 316F	Flare	5	20	3/4	19.05	11.48	3.5	58	4	72.5	5	350°F	180°C	9	4
PRH2 T12F	Tube End														
PRH3 322F	Flare	13	49.21	1	25.4	13.12	4	58	4	72.5	5	350°F	180°C	16	7.2
PRH3 T16F	Tube End														

* Max air pressure is directly related to the medium temperature and has to be adjusted in agreement
 Max. Ambient Temperature: 140°F (60°C)

PRH2 316F



PRH3 322F



Saint-Gobain Performance Plastics

China (+86) 400 888 0198
 sales.PPSCN@saint-gobain.com

Europe (+33) 3 85 20 27 00
 quotes-clm@saint-gobain.com

India (+91) 76208 22999
 pplindia.hc@saint-gobain.com

Japan (+81) 3 6256 9703
 ls-japan@saint-gobain.com

Korea (+82) 2 6098 0180
 LS-Korea@saint-gobain.com

Southeast Asia (+66) 38 667 800
 cs.sgplsea@saint-gobain.com

Taiwan (+886) 2 2503 4201
 Taiwan.ppl@saint-gobain.com

United States (+1) 800-833-5661
 gardengrovequotation@saint-gobain.com

All Other Regions
 www.furon.com

NOTE: This document is intended to provide information about the product to enable you to consider whether generally the Product meets your application need and is not intended to provide product specification. This document should not be considered a Product warranty or guaranty. To the extent this document mentions any tests done by Saint-Gobain, such tests are done under controlled laboratory circumstances and hence other factors in your use and application may impact such values. Saint-Gobain strongly recommends that you conduct practical tests simulating the conditions of your application to ensure that the product meets your requirements for your specific application

Furon® is a registered trademark of Saint-Gobain Performance Plastics.

WARRANTY: Saint-Gobain warrants that the Product will meet specifications at the time of delivery and honor such warranty claims for a period of 18 months after delivery. In the event that you are a distributor purchasing Saint-Gobain Product, any change to specification while in your control as a result of storage conditions or otherwise may cause the above warranty to be voided. THIS IS THE EXCLUSIVE WARRANTY AND IS EXPRESSLY IN LIEU OF ANY AND ALL OTHER OBLIGATIONS, GUARANTEES, WARRANTIES AND REPRESENTATIONS. SAINT-GOBAIN DISCLAIMS ALL IMPLIED WARRANTIES OF MERCHANTABILITY AND FITNESS FOR A PARTICULAR PURPOSE.