



FURON[®] HIGH FLOW PUMP

AIR OPERATED,
BELLOWED PUMP

100 LMP/26 GPM

Furon High Flow Pumps are designed to handle ultra-high purity media and are constructed with no metal parts. All wetted parts are manufactured from high purity PFA and PTFE and are suitable for pumping even the most aggressive chemicals. All other (non-wetted) components are manufactured from advanced engineering thermoplastics and for some include fiber reinforcement to enable premium performance even at elevated temperatures.

Furon High Flow Pumps are self-priming, providing an easy installation and setup for a high purity 100% metal-free pump.

APPLICATIONS

Transfer of ultrapure acids and hot ultrapure acids and other chemistry used in the semiconductor industry.

FEATURES AND BENEFITS

- No Metal parts
- Liquid O-ring-free design
- 100% high purity PFA and PTFE wetted flow path
- Self-priming
- Maintenance friendly design
- Adjustable pump rate up to 100 lpm (26 gpm)
- For liquid temperature up to 100°C (212°F)
- Easy to install with a low weight

Furon® High Flow Pump

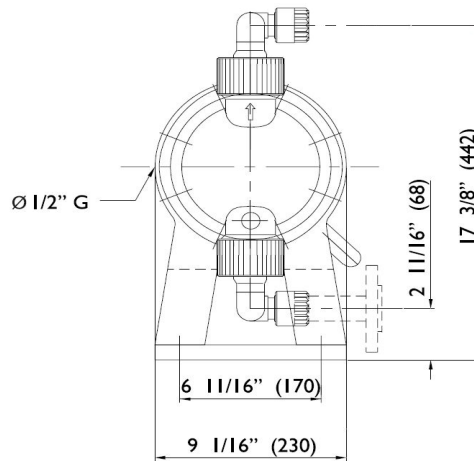
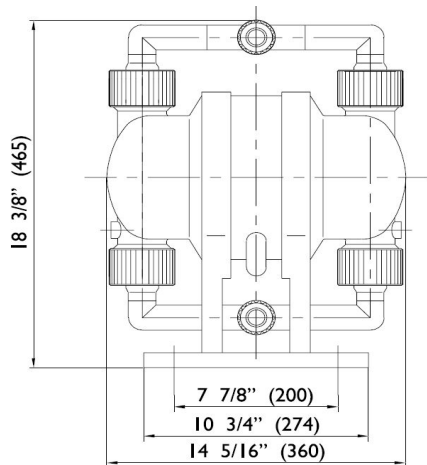
SPECIFICATIONS

Part Number	Liquid Type	Maximum Flow Capacity		End Connection Type & Size		Maximum Suction Head		Maximum Air Pressure*		Maximum Air Consumption		Maximum Back Pressure		Maximum Media Temperature		Weight		
		gpm	lpm	Type	in	mm	ft	m	psi	bar	SCFM	m³/h	psi	bar	°F	°C	lbs	kg
PFD4 322GZ	Chemical	26	100	Flare	1	25.4	13	4	72.5	5	23.5	40	58	4	212°F	100°C	32.5	15
PFD4 3T16GZ				Tube														
PFS4 322GZ	Slurry	26	100	Flare	1	25.4	13	4	72.5	5	23.5	40	58	4	212°F	100°C	32.5	15
PFS4 3T16GZ				Tube														

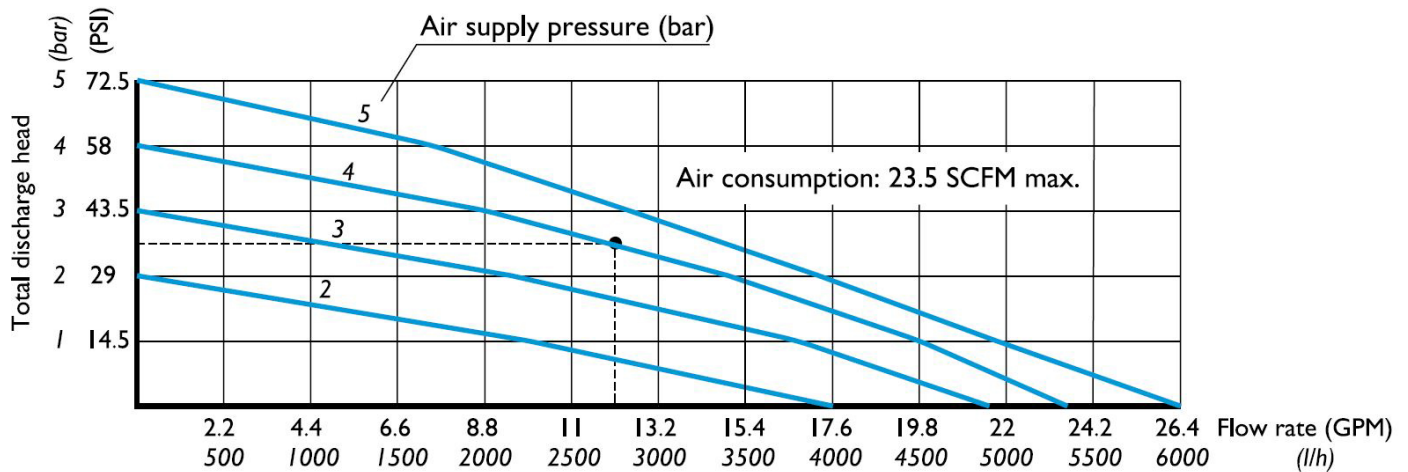
* [Please contact us](#) for use with higher pressure. Maximum pressure is directly related to the media temperature and has to be adjusted in agreement. Max. Ambient Temperature: 140°F (60°C)

FURON HIGH FLOW DAMPENERS

Part Number	Liquid Type	End Connection Type & Size		End Connection Orientation	Weight		Dimension	
		Type	in		mm	lbs		kg
AMC4 122GZ	Chemical	Flare	1	25.4	Straight / Straight	22	10	Please consult the factory for drawing
AMC4 222GZ					Straight / Elbow			
AMC4 322GZ					Elbow / Elbow			
AMC4 1T16GZ		Tube			Straight / Straight			
AMC4 2T16GZ					Straight / Elbow			
AMC4 3T16GZ					Elbow / Elbow			
AMS4 122GZ	Slurry	Flare	1	25.4	Straight / Straight	22	10	Please consult the factory for drawing
AMS4 222GZ					Straight / Elbow			
AMS4 322GZ					Elbow / Elbow			
AMS4 1T16GZ		Tube			Straight / Straight			
AMS4 2T16GZ					Straight / Elbow			
AMS4 3T16GZ					Elbow / Elbow			



FLOW CAPACITY



Example

Air supply pressure: 58 psi (4 bar)
 Discharge head: 36 psi (2.5 bar)
 Flow rate: 12.1 (2750 l/h)



Saint-Gobain Performance Plastics

China (+8621) 5472 1568
 Sales.PPLCN@saint-gobain.com

Europe (+33) 3 85 20 27 00
 quotes-clm@saint-gobain.com

India (+91) 80 46978888
 pplindia.hc@saint-gobain.com

Japan (+81) 3 6256 9703
 ls-japan@saint-gobain.com

Korea (+82) 2 6098 0180
 LS-Korea@saint-gobain.com

Southeast Asia (+66) 38 667 800
 cs.sgplsea@saint-gobain.com

Taiwan (+886) 2 2503 4201
 Taiwan.ppl@saint-gobain.com

United States (+1) 800-833-5661
 gardengrovequoteteam@saint-gobain.com

All Other Regions
 www.furon.com

NOTE: This document is intended to provide information about the product to enable you to consider whether generally the Product meets your application need and is not intended to provide product specification. This document should not be considered a Product warranty or guaranty. To the extent this document mentions any tests done by Saint-Gobain, such tests are done under controlled laboratory circumstances and hence other factors in your use and application may impact such values. Saint-Gobain strongly recommends that you conduct practical tests simulating the conditions of your application to ensure that the product meets your requirements for your specific application

Furon® is a registered trademark of Saint-Gobain Performance Plastics.

WARRANTY: Saint-Gobain warrants that the Product will meet specifications at the time of delivery and honor such warranty claims for a period of 18 months after delivery. In the event that you are a distributor purchasing Saint-Gobain Product, any change to specification while in your control as a result of storage conditions or otherwise may cause the above warranty to be voided. THIS IS THE EXCLUSIVE WARRANTY AND IS EXPRESSLY IN LIEU OF ANY AND ALL OTHER OBLIGATIONS, GUARANTEES, WARRANTIES AND REPRESENTATIONS. SAINT-GOBAIN DISCLAIMS ALL IMPLIED WARRANTIES OF MERCHANTABILITY AND FITNESS FOR A PARTICULAR PURPOSE.