

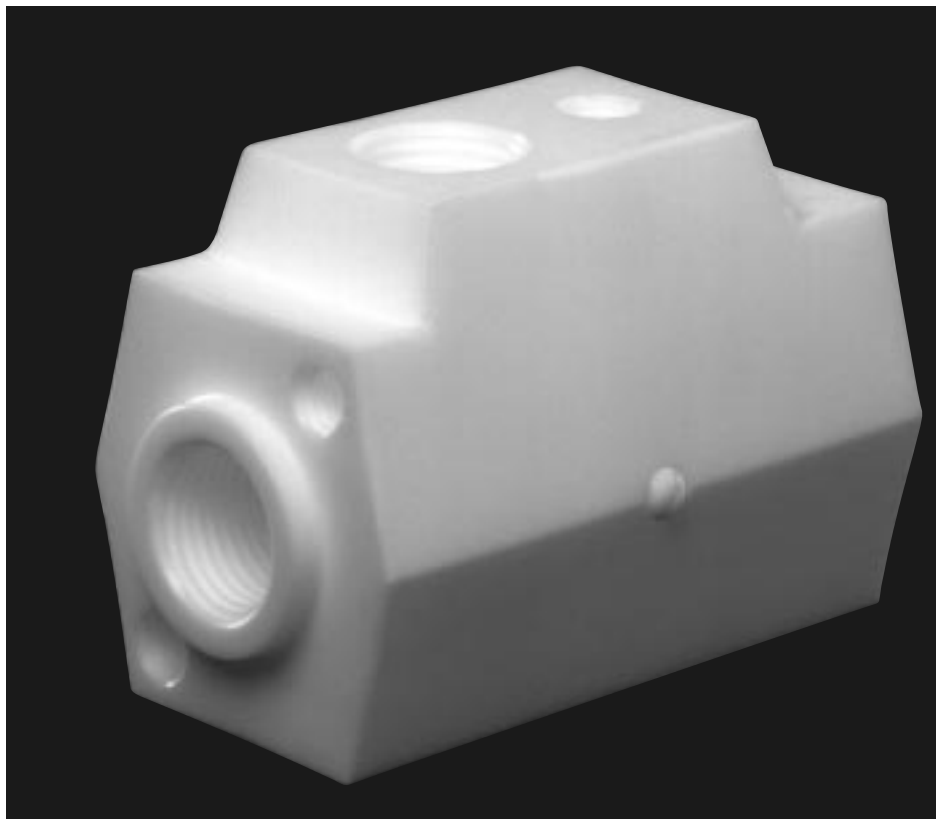
WHITE BANDIT™ VALVE

A Furon Product

*Pneumatically
Actuated,
2-Way
(1/2", 3/4", 1" Orifice)*

Features and Benefits

- *Superior resistance against contamination in aggressive medias*
- *All wetted parts are 100% virgin PTFE*
- *No elastomers, lubrication or metallics in media path*
- *"Micro Adjust" bypass option for DI water applications*
- *All external surfaces are fluoropolymer*



Operation

- Pneumatically actuated by 50 - 80 PSIG (345 - 552 kPa) air signal
- Simple design facilitates ease of maintenance

Applications

- "Micro Adjust" bypass feature is ideal for DI water applications
- Suited for use with aggressive chemicals
- Designed for the Semiconductor and Chemical Process industries

WHITE BANDIT™ VALVE

A Furon Product

Pneumatically Actuated, 2-Way

Ordering Information

PART NO.	END CONNECTION	ORIFICE	PORT SIZE	A	B	C	D	E
WB-2W8P-C	FNPT	1/2	1/2	2.50 (63.50mm)	1.00 (25.40mm)	1.35 (34.29mm)	2.36 (59.94mm)	3.54 (89.92mm)
WB-2W12P-C	FNPT	3/4	3/4	3.60 (91.44mm)	1.54 (39.12mm)	1.97 (50.04mm)	3.67 (93.22mm)	5.61 (142.49mm)
WB-2W16P-C	FNPT	1	1	3.60 (91.44mm)				
WB-2W8P-O	FNPT	1/2	1/2	2.50 (63.50mm)	1.00 (25.40mm)	1.35 (34.29mm)	2.36 (59.94mm)	3.54 (89.92mm)
WB-2W12P-O	FNPT	3/4	3/4	3.60 (91.44mm)	1.54 (39.12mm)	1.97 (50.04mm)	3.67 (93.22mm)	5.61 (142.49mm)
WB-2W16P-O	FNPT	1	1	3.60 (91.44mm)				

Standard Options

ADJ = Micro Adjust Bypass for DI water applications.

Various materials available for actuator O-ring.

Standard Options are readily available with slightly longer lead times.

Please contact your local distributor or factory for part number, price and delivery.

Non-Standard Options

Restricted Open (REO).

Restricted Closed (REC).

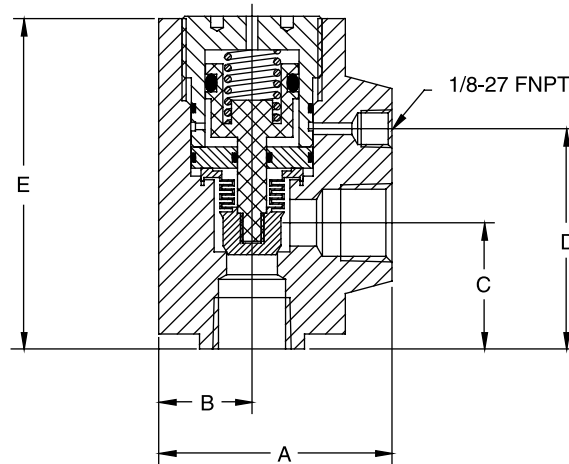
Restricted Both (REB).

Position Indicator POS.

Kalrez® or Chemraz® O-Ring.

Non-Standard Options and custom configurations are welcome.

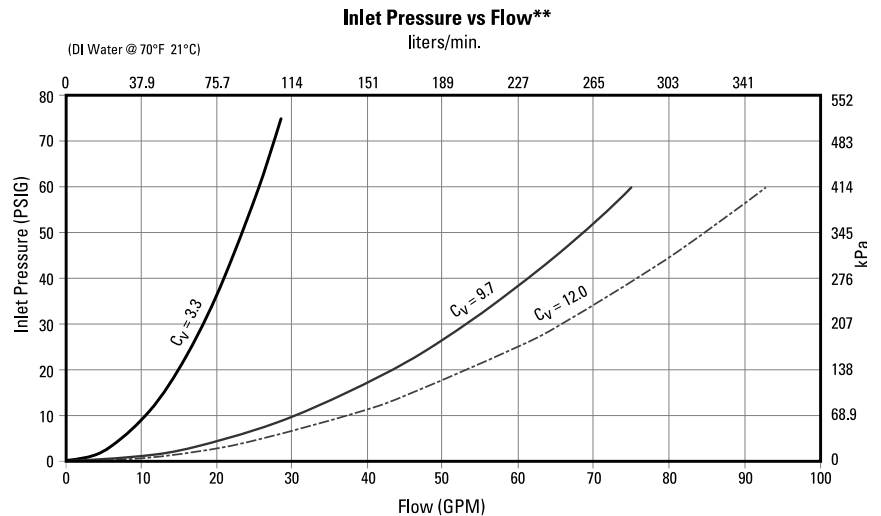
Please consult factory for part number, price and delivery.



Specifications and Performance

- Maximum Ambient Operating Temperature: 140°F (60°C)
- Maximum Media Operating Temperature: 212°F (100°C)
- Media Pressure @ Room Temperature:

Orifice Size	Maximum Media Pressure PSIG (kPa)	Maximum Back Pressure PSIG (kPa)
1/2"	75 (517)	45 (310)
3/4"	60 (414)	10 (68.9)
1"	60 (414)	10 (68.9)



Notes

** Calculated performance data.

Kalrez® is a registered trademark of Dupont.
Chemraz® is a registered trademark of Greene & Tweed Co.

USA Toll Free: 1.800.833.5661

7301 Orangewood Avenue
Garden Grove, CA 92841-1411
Phone: 714.630.5818
Fax: 714.688.2614

Specifications subject to change without notice.
© 1996
FC 7036 Printed in U.S.A.

SAINT-GOBAIN
PERFORMANCE PLASTICS