

## FEATURES/BENEFITS

- Handles fluid temperatures up to 194°F (90°C)
- All virgin PTFE/FluoroloyT® and PFA wetted flow path
- Non-Metallic external surfaces
- Assembled and tested in a class 100 cleanroom environment
- Secondary diaphragm and isolation bellows protects system chemistry
- Integral leak port with fiber optic leak detection

# FURON® UPRP 1/4" PRECISION PRESSURE REGULATOR

Manually Actuated (1/4" Orifice)



## OPERATION

- Maintains downstream pressure to a predetermined manually set pressure

## APPLICATIONS

- Designed for precise delivery of aggressive pure chemicals and DI water
- This product is suitable for use in semiconductor, pharmaceutical and chemical process industries

# FURON® UPRP 1/4" PRECISION PRESSURE REGULATOR

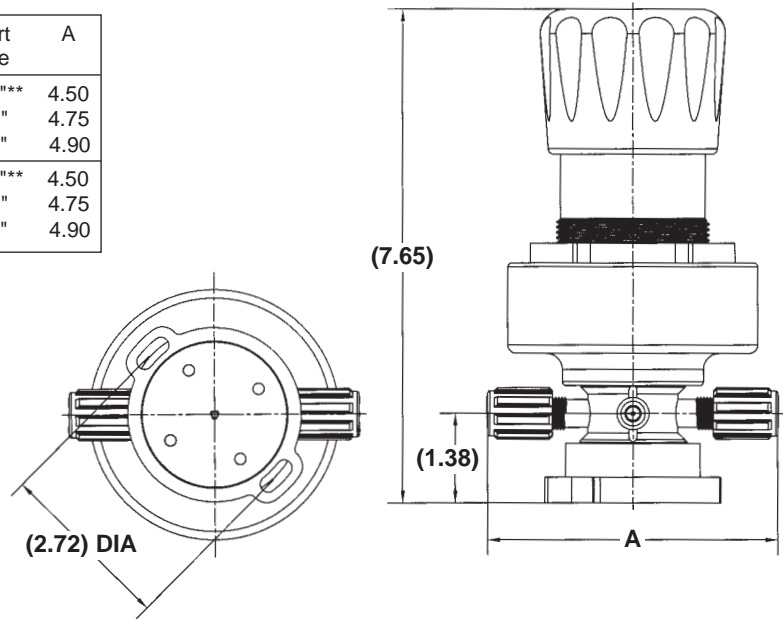
## Manually Actuated (1/4" Orifice)

### ORDERING INFORMATION

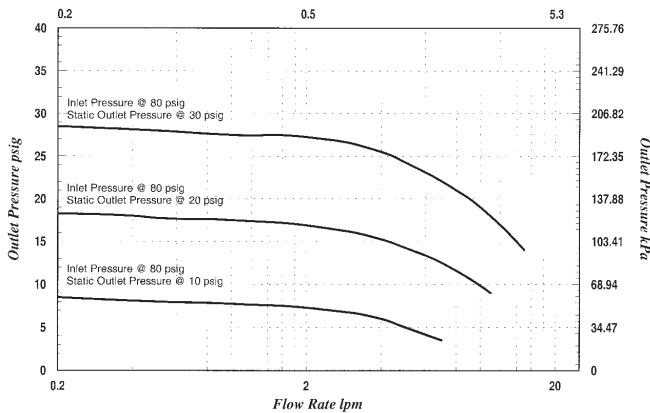
Part No.	End Connection	Outlet Pressure	Orifice	Port Size	A
UPRP-F44-30-M	Flare Grip II	10—30	1/4"	1/4"***	4.50
UPRP-F46-30-M	Flare Grip II	PSIG	1/4"	3/8"	4.75
UPRP-744-30-M	Fuse Bond		1/4"	1/4"	4.90
UPRP-F44-60-M	Flare Grip II	20—60	1/4"	1/4"***	4.50
UPRP-F46-60-M	Flare Grip II	PSIG	1/4"	3/8"	4.75
UPRP-744-60-M	Fuse Bond		1/4"	1/4"	4.90

### SPECIFICATIONS AND PERFORMANCE

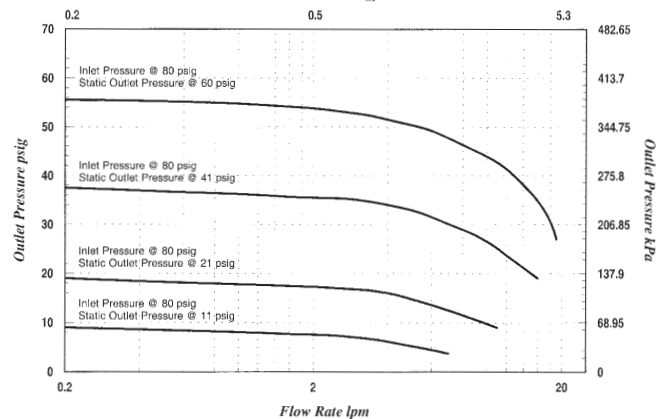
- Maximum operating temperature: 194°F (90°C)
- Maximum operating pressure: 120 PSIG (689 kPa) @ 72°F (22°C)\*
- Pressure regulation range:
  - 10—30 psig with 30-M units @ 72°F (22°C)\*
  - 20—60 psig with 60-M units @ 72°F (22°C)\*



**UPRP-F46-30M Flow Rate Vs. Outlet Pressure**  
DI Water  
Flow Rate gpm



**UPRP-F46-60M Flow Rate Vs. Outlet Pressure**  
DI Water  
Flow Rate gpm



\*Pressure capability reduced at temperatures above 72°F (22°C)\*. Consult factory for applications above 72°F (22°C)\*.

\*\*Flow performance is reduced with 1/4" Flare Grip II end connections. Consult factory for specific product performance information.

### SAINT-GOBAIN PERFORMANCE PLASTICS

7301 Oranewood Avenue  
Garden Grove, CA 92841-1411  
Phone: (714) 630-5818  
Fax: (714) 688-2614  
USA Toll Free: (800) 833-5661



Furon® is a registered trademark

12-month **Limited Warranty:** For a period of 12 months from the date of first sale, Saint-Gobain Performance Plastics Corporation warrants this product to be free from defects in manufacturing. This company's only obligation will be to provide replacement product for any material proven to have such a defect, or at SGPL's option, to refund the purchase price thereof. User assumes all other risks, if any, including the risk of injury, loss or damage, whether direct, consequential or incidental, arising out of the use, misuse, or inability to use this product. SAINT-GOBAIN PERFORMANCE PLASTICS DISCLAIMS ALL IMPLIED WARRANTIES OF MERCHANTABILITY AND FITNESS FOR A PARTICULAR PURPOSE.

NOTE: Saint-Gobain Performance Plastics Corporation does not assume any responsibility or liability for any advice furnished by it, or for the performance or results of any installation or use of the product or of any final product into which the product may be incorporated by the purchaser and/or user.