

## FEATURES/BENEFITS

- Handles fluid temperatures up to 194°F (90°C)
- All virgin PTFE/FluoroloyT® and PFA wetted flow path
- Non-Metallic external surfaces
- Assembled and tested in a class 100 cleanroom environment
- Secondary diaphragm protects air system
- PTFE isolation bellows protects system chemistry
- Integral leak port with fiber optic leak detection option

# FURON® UPRP 1/4" PRECISION PRESSURE REGULATOR

Pneumatically Actuated (1/4" Orifice)



## OPERATION

- Maintains downstream pressure to a predetermined pneumatically set pressure

## APPLICATIONS

- Designed for precise delivery of aggressive pure chemicals and DI water
- This product is suitable for use in semiconductor, pharmaceutical and chemical process industries

# FURON® UPRP 1/4" PRECISION PRESSURE REGULATOR

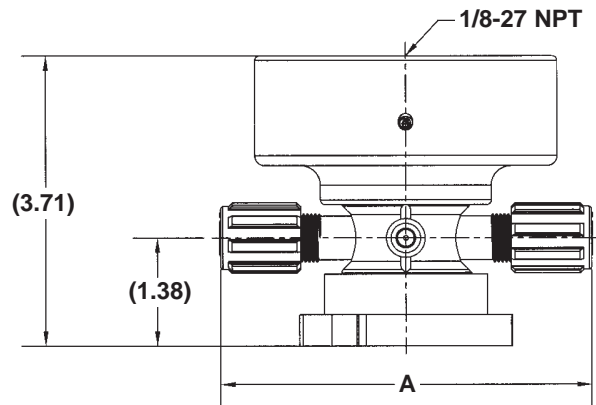
## Pneumatically Actuated (1/4" Orifice)

### ORDERING INFORMATION

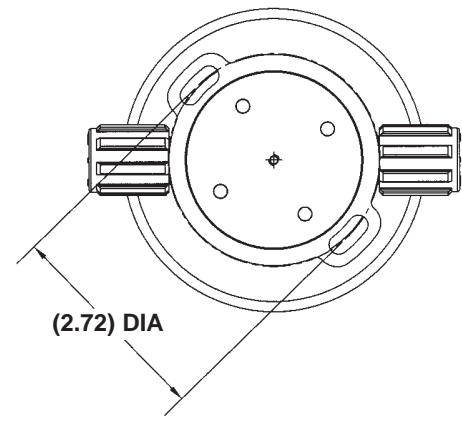
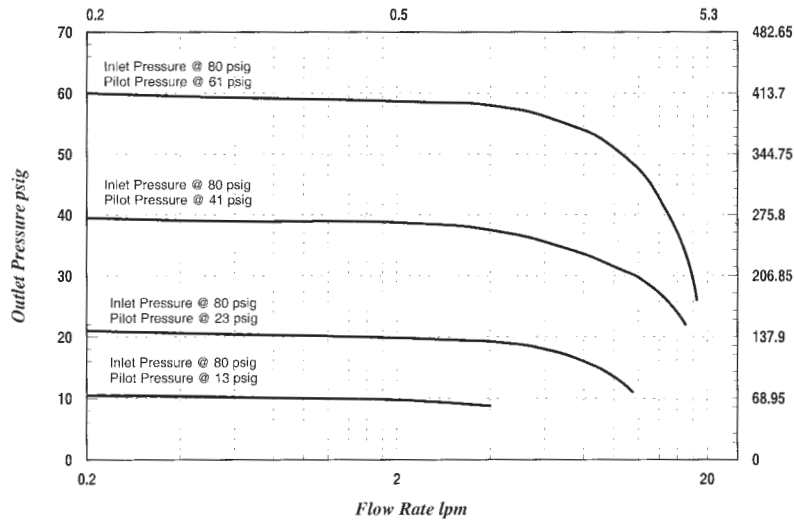
| Part No.   | End Connection | Orifice | End Connection | A    |
|------------|----------------|---------|----------------|------|
| UPRP-744-P | Fuse Bond Pipe | 1/4"    | 1/4"           | 4.90 |
| UPRP-F44-P | Flare Grip II  | 1/4"    | 1/4"***        | 4.50 |
| UPRP-F46-P | Flare Grip II  | 1/4"    | 3/8"           | 4.75 |

### SPECIFICATIONS AND PERFORMANCE

- Maximum operating temperature: 194°F (90°C)
- Maximum inlet pressure: 120 PSIG (689 kPa) @ 72°F (22°C)\*
- Maximum Pilot Pressure: 60 PSIG (414 kPa) @ 72°F (22°C)\*
- Pressure Regulation Range 10-60 PSI @ 72°F (22°C)\*



**UPRP-F46-P Flow Rate Vs. Outlet Pressure**  
**DI Water**  
 Flow Rate gpm



\*Pressure capability reduced at temperatures above 72°F (22°C)\*.  
 Consult factory for applications above 72°F (22°C)\*.

\*\*Flow capability reduced with 1/4" Flare Grip II end connections. Consult factory for specific product performance information.

### SAINT-GOBAIN PERFORMANCE PLASTICS

7301 Orangewood Avenue  
 Garden Grove, CA 92841-1411  
 Phone: (714) 630-5818  
 Fax: (714) 688-2614  
 USA Toll Free: (800) 833-5661



Furon® is a registered trademark.

**12-month Limited Warranty:** For a period of 12 months from the date of first sale, Saint-Gobain Performance Plastics Corporation warrants this product to be free from defects in manufacturing. This company's only obligation will be to provide replacement product for any material proven to have such a defect, or at SGPP's option, to refund the purchase price thereof. User assumes all other risks, if any, including the risk of injury, loss or damage, whether direct, consequential or incidental, arising out of the use, misuse, or inability to use this product. SAINT-GOBAIN PERFORMANCE PLASTICS DISCLAIMS ALL IMPLIED WARRANTIES OF MERCHANTABILITY AND FITNESS FOR A PARTICULAR PURPOSE.

NOTE: Saint-Gobain Performance Plastics Corporation does not assume any responsibility or liability for any advice furnished by it, or for the performance or results of any installation or use of the product or of any final product into which the product may be incorporated by the purchaser and/or user.