

UPRP 1" Precision Regulator

Pneumatically Actuated (1" Orifice)



Features/Benefits

- Precise construction maintains predetermined output pressure
- Handles fluid temperatures up to 194°F (90°C)
- All virgin PTFE/ Fluoroloy®T and PFA wetted flow path
- Non-Metallic external surfaces
- Non-contaminating fluoropolymer coated stainless steel spring enclosed in a virgin PTFE isolation bellows
- Assembled and tested in a class 100 cleanroom environment
- Maximum C_v of 10.0

Operation

- Pneumatically maintains downstream pressure to a predetermined set pressure

Applications

- Designed for precise delivery of aggressive pure chemicals and DI water
- This product is suitable for use in semiconductor, pharmaceutical and chemical process industries

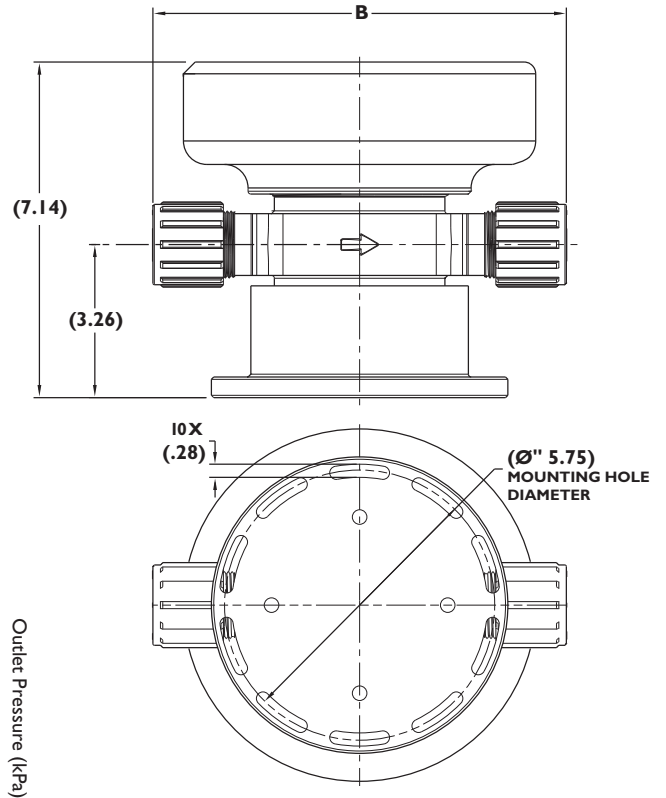
UPRP 1" Precision Regulator Pneumatically Actuated (1" Orifice)

Ordering Information

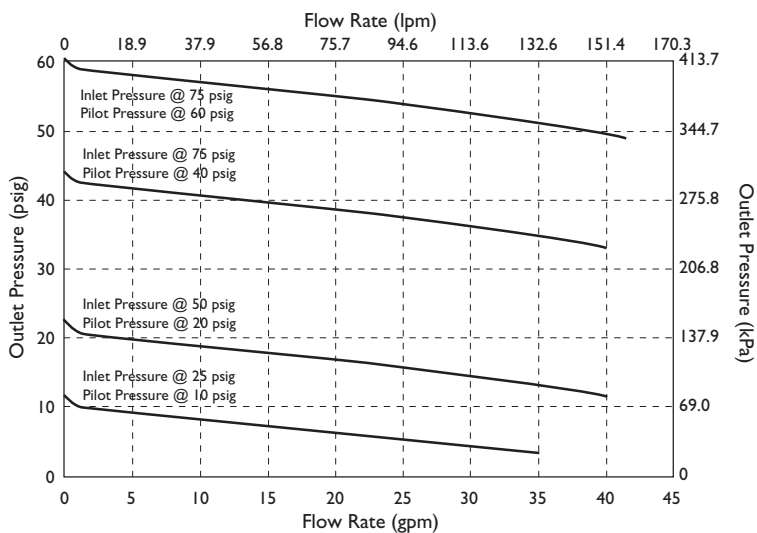
Part No.	End Connection	Orifice	Port Size	A	B
UPRP-F1616-P	Fine Thread Flare	1"	1"	8.25	8.80

Specifications And Performance

- Maximum operating temperature: 194°F (90°C)
- Maximum operating pressure: 100 PSIG (689 kPa) @ 22°C* temperature
- Maximum Pilot Pressure: 60 PSIG (414 kPa) @ 22°C*



I" UPRP with 1" FINE THREAD PORTS
FLOW vs. OUTLET PRESSURE vs. PILOT PRESSURE
@ 22° C*



* Pressure capability reduced at temperatures above 22°C.
Consult factory for applications above 22°C.

Saint-Gobain Performance Plastics-USA

7301 Orangewood Avenue
Garden Grove, CA 92841-1411
Tel: (714) 630-5818
Fax: (714) 688-2614
USA Toll Free: (800) 833-5661

France

Tel: 33/(0) 1 55 68 59 59
Fax: 33/(0) 1 55 68 59 68

Japan

Tel: 81/(0) 2 6679 6400
Fax: 81/(0) 2 6670 1001



Patent pending

Fluoroly is a registered trademark.

12-month Limited Warranty: For a period of 12 months from the date of first sale, Saint-Gobain Performance Plastics Corporation warrants this product to be free from defects in manufacturing. This company's only obligation will be to provide replacement product for any material proven to have such a defect, or at SGPPL's option, to refund the purchase price thereof. User assumes all other risks, if any, including the risk of injury, loss or damage, whether direct, consequential or incidental, arising out of the use, misuse, or inability to use this product. SAINT-GOBAIN PERFORMANCE PLASTICS DISCLAIMS ALL IMPLIED WARRANTIES OF MERCHANTABILITY AND FITNESS FOR A PARTICULAR PURPOSE.

NOTE: Saint-Gobain Performance Plastics Corporation does not assume any responsibility or liability for any advice furnished by it, or for the performance or results of any installation or use of the product or of any final product into which the product may be incorporated by the purchaser and/or user.