

Furon® UPR 1200 Pressure Regulator

Manually Actuated (1/2" Orifice)



Features/Benefits

- Mechanical design maintains predetermined output pressure
- Handles fluid temperatures up to 194°F (90°C)
- All fluoropolymer wetted surfaces
- Non-contaminating fluoropolymer coated spring
- Non-metallic external surfaces
- Variety of port selections including Fuse Bond
- Integral leak port with fiber optic leak detection option

Operation

- Maintains downstream pressure to a predetermined set pressure
- Integrated locking mechanism to lock up pressure setting
- Panel mountable

Applications

- Ideal for chemical delivery equipment's need for high purity in corrosive process streams
- This product is suitable for use in the semiconductor, bio-medical and chemical process industries

Furon® UPR 1200 Regulator Manually Actuated

Ordering Information

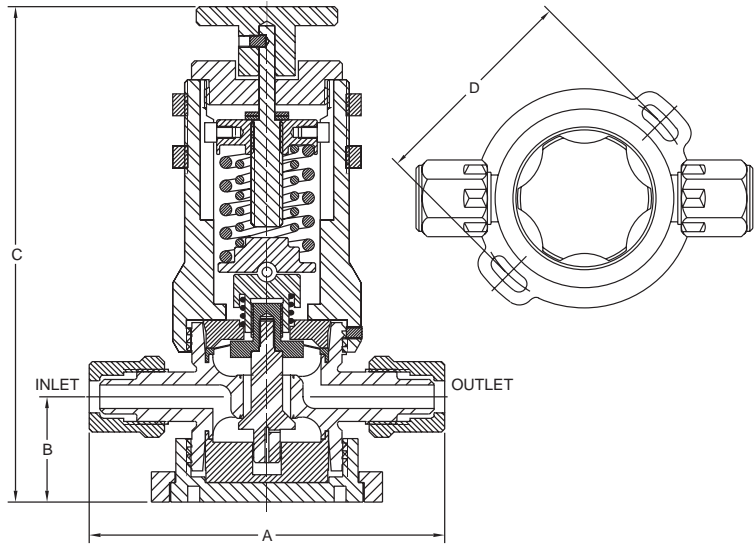
PART NO.	END CONNECTION	OUTLET PRESSURE	ORIFICE	PORT SIZE	A	B	C	D
UPRM-188-30-M	FNPT	15 – 40 PSIG	1/2"	1/2"	3.60 (91.44mm)	1.70 (43.18mm)	7.85 (199.39mm)	3.62 (91.95mm)
UPRM-288-30-M	GRAB SEAL *		1/2"	1/2"	5.12 (130.05mm)			
UPRM-688-30-M	FLARE GRIP *		1/2"	1/2"	5.82 (147.83mm)			
UPRM-788-30-M	FUSE BOND		1/2"	1/2"	5.60 (142.24mm)			
UPRM-188-60-M	FNPT	15 – 100 PSIG	1/2"	1/2"	3.60 (91.44mm)	1.70 (43.18mm)	7.85 (199.39mm)	3.62 (91.95mm)
UPRM-288-60-M	GRAB SEAL *		1/2"	1/2"	5.12 (130.05mm)			
UPRM-688-60-M	FLARE GRIP *		1/2"	1/2"	5.82 (147.83mm)			
UPRM-788-60-M	FUSE BOND		1/2"	1/2"	5.60 (142.24mm)			

Standard Options

- Close couple Flare Grip®** End Connections for reduced footprint in multi-component systems.
- Standard Options are readily available with slightly longer lead times.
- Please contact your local distributor or factory for part number, price and delivery.

Non-Standard Options

- Custom End Connections available.
- Flare Grip* End Connections with fine thread flare style fittings.
- Gauge port available.
- Non-Standard Options and custom configurations are welcome.
- Please consult factory for part number, price and delivery.



Specifications & Performance

- Maximum Operating Temperature: 194°F (90°C)
- Maximum Operating Pressure: 120 PSIG (827 kPa) @ room temperature

Notes

These regulators work best if the pressure drop across the regulator is less than 30 PSIG. Large inlet pressure variations will effect regulator performance.

* When selecting either Flare Grip® or Grab Seal™ ends, we recommend end connections that are larger than the valve orifice size in order to achieve full flow.

** Calculated performance data. Data shown are for reference only. Actual date may vary depending on conditions such as length of tubing, size of tubing, back pressure, etc.

Saint-Gobain Performance Plastics-USA

7301 Orangewood Avenue
Garden Grove, CA 92841-1411
Tel: (714) 630-5818
Fax: (714) 688-2614
USA Toll Free: (800) 833-5661

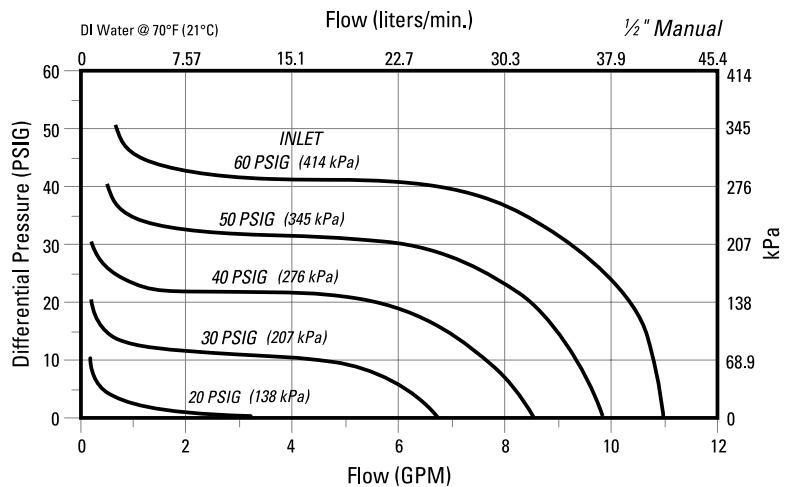
France

Tel: 33/(0) 1 55 68 59 59
Fax: 33/(0) 1 55 68 59 68

Japan

Tel: 81/(0) 2 6679 6400
Fax: 81/(0) 2 6670 1001

Pressure vs Flow **



Furon® is a registered trademark.
Flare Grip® is a registered trademark.
Grab Seal™ is a trademark.

12-month Limited Warranty: For a period of 12 months from the date of first sale, Saint-Gobain Performance Plastics Corporation warrants this product to be free from defects in manufacturing. This company's only obligation will be to provide replacement product for any material proven to have such a defect, or at SGPL's option, to refund the purchase price thereof. User assumes all other risks, if any including the risk of injury, loss or damage, whether direct, consequential or incidental, arising out of the use, misuse, or inability to use this product. SAINT-GOBAIN PERFORMANCE PLASTICS DISCLAIMS ALL IMPLIED WARRANTIES OF MERCHANTABILITY AND FITNESS FOR A PARTICULAR PURPOSE.

NOTE: Saint-Gobain Performance Plastics Corporation does not assume any responsibility or liability for any advice furnished by it, or for the performance or results of any installation or use of the product or of any final product into which the product may be incorporated by the purchaser and/or user.