

Furon® Suckback Diaphragm Valve

Pneumatically Actuated, Molded (1/4", 1/2" Orifice)



Features/Benefits

- All virgin PTFE/high purity molded PFA wetted flow path
- Eliminates dripping of dispense media from nozzles
- Adjustable suckback capacity permits precise metering of dispense media
- Repeatability of suckback amount allows identical dispense media over time

Operation

- Normally closed valve
- Creates a vacuum when switching from open back to closed position to suck back a predetermined amount of liquid
- Adjustment gives excellent repeatability on the suckback volume

Applications

- Precise dispense of photoresist, adhesives, solvents and other media

Furon® Suckback Diaphragm Valve — Pneumatically Actuated, Molded (1/4", 1/2" Orifice)

Ordering Information

PART NO.	ORIFICE	PORT SIZE	END CONNECTION	A	B	C	D	E
SBVM-F44	1/4"	1/4"	Flare Grip II	4.30 (109.22)	3.80 (96.52)	1.38 (35.05)	2.10 (53.34)	2.72 (69.09)
SBVM-144	1/4"	1/4"	FNPT	3.00 (76.20)	3.78 (96.01)	1.38 (35.05)	2.10 (53.34)	2.72 (69.09)
SBVM-188	1/2"	1/2"	FNPT	3.60 (94.44)	4.42 (112.27)	1.70 (43.18)	2.90 (73.66)	3.62 (91.95)
SBVM-F812	1/2"	3/4"	Flare Grip II	5.90 (149.86)	4.40 (111.76)	1.70 (43.18)	2.90 (73.66)	3.62 (91.95)

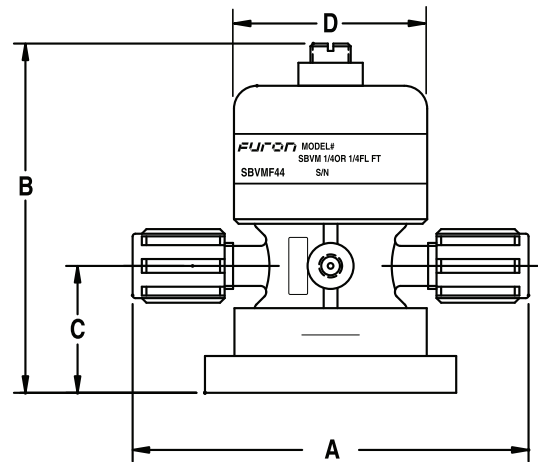
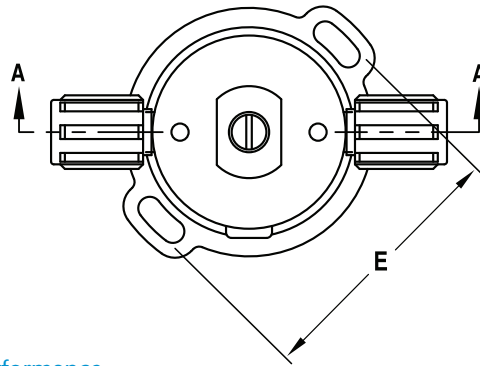
Non-Standard Options

Other End Connections available.

Non-Standard Options and custom configuration are welcome.

Please consult factory for part number, price and delivery.

Furon SCR spring for HCl applications



Specifications and Performance

- Maximum Operating Temperature: 176°F (80°C)
- Air Actuator Pressure: 70 PSIG (483 kPa)
- Maximum Operating Pressure (Suckback Capability): 60 PSIG (413 kPa)
- Maximum Suckback Volume: 100 µl

For applications in concentrated Hydrochloric (HCl) applications, please consult the factory

Notes

* When selecting either Flare Grip® or Grab Seal™ ends, we recommend end connections that are larger than the valve orifice size in order to achieve full flow.

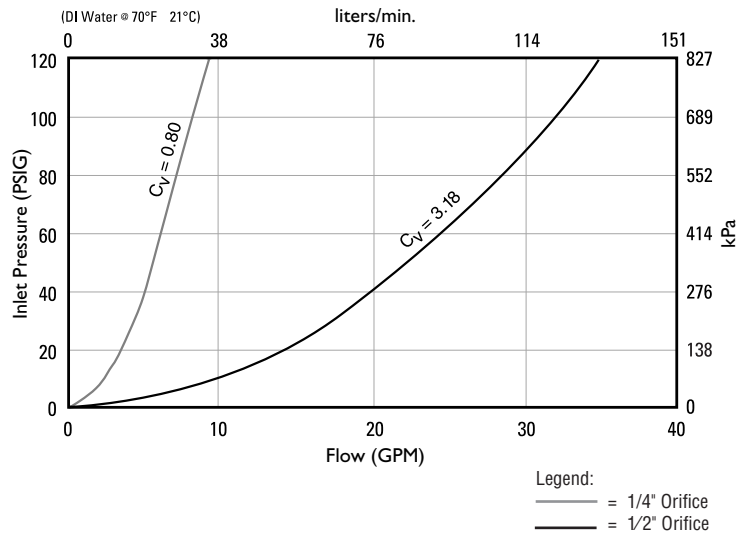
** Calculated performance data

Adjusting to near zero suckback amount can cause the valve not to seal fully and leak across the valve seat.

The valve works best if the nozzle is placed no more than four feet (1.2m) from the valve.

Leak detection port on side has standard port size of 1/4-28.

Inlet Pressure Vs Flow**



Saint-Gobain Performance Plastics-USA

7301 Orangewood Avenue
Garden Grove, CA 92841-1411
Tel: (714) 630-5818
Fax: (714) 688-2614
USA Toll Free: (800) 833-5661

France

Tel: 33/(0) 1 55 68 59 59
Fax: 33/(0) 1 55 68 59 68



US Patent 5,261,442

Furon® is a registered trademark.
Flare Grip® is a registered trademark.
Grab Seal™ is a trademark.

12-month **Limited Warranty:** For a period of 12 months from the date of first sale, Saint-Gobain Performance Plastics Corporation warrants this product to be free from defects in manufacturing. This company's only obligation will be to provide replacement product for any material proven to have such a defect, or at SGPPL's option, to refund the purchase price thereof. User assumes all other risks, if any, including the risk of injury, loss or damage, whether direct, consequential or incidental, arising out of the use, misuse, or inability to use this product. SAINT-GOBAIN PERFORMANCE PLASTICS DISCLAIMS ALL IMPLIED WARRANTIES OF MERCHANTABILITY AND FITNESS FOR A PARTICULAR PURPOSE.

NOTE: Saint-Gobain Performance Plastics Corporation does not assume any responsibility or liability for any advice furnished by it, or for the performance or results of any installation or use of the product or of any final product into which the product may be incorporated by the purchaser and/or user.