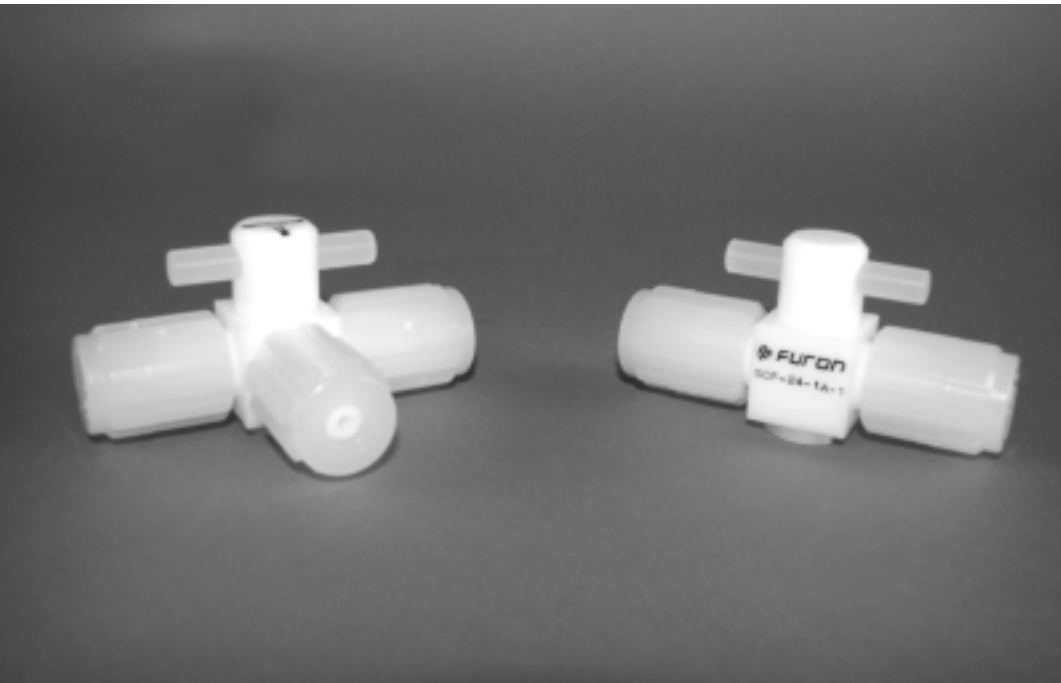


Furon® Stopcock Selector Valve

Manually-Actuated, 2-Way and 3-Way



Reliable Design in a Compact Footprint

Furon® Stopcock Selector Valves are designed to meet the stringent high purity requirements of the Semiconductor, Life Sciences, Pharmaceutical, and Laboratory industries. A 1/4 turn manual actuator allows quick and easy operation from closed to open position. The straight-through flow path assures no steps, optimizing fluid flow through the valve. Two-way shutoff and three-way diverter valve configurations are available. Standard end connections are 1/4" industry standard flare, and alternate end connections are available upon request.

Features/Benefits

- 100% high-purity fluoropolymer construction
- 1/4" Flare end connections standard
- Other end connections available
- Compact design reduces footprint
- Easy inline installation

Typical Applications

- Diverting or shut-off valve
- Manual bleed valve for filters
- Commonly used in the Semiconductor, Life Sciences, Pharmaceutical, and Laboratory industries
- Liquid and gas chromatography

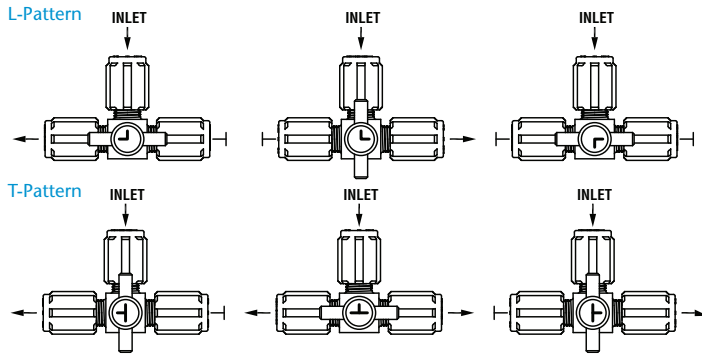
Furon® Stopcock Selector Valve

Manually-Actuated, 2-Way and 3-Way

Ordering Information

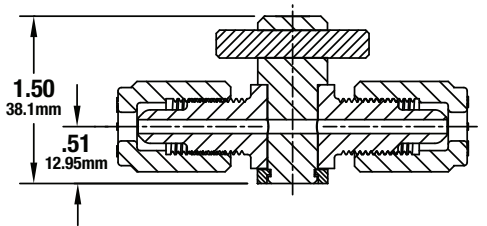
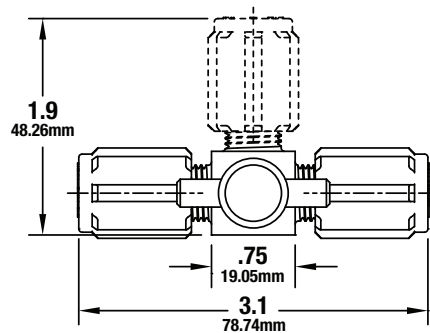
Part No.	Orifice Size	End Connection	Port Size	Flow Path
SCF-24-1A-1	1/8"	Flare Grip II	1/4"	2-Way
SCF-68-1A-1	3/8"	Flare Grip II	1/2"	2-Way
SCF-24-2B-1	1/8"	Flare Grip II	1/4"	T
SCF-24-3B-1	1/8"	Flare Grip II	1/4"	L
SCF-68-2B-1	3/8"	Flare Grip II	1/2"	T
SCF-68-3B-1	3/8"	Flare Grip II	1/2"	L

3-Way Flow Path Types



Specifications And Performance

- Ambient Operating Temperature: 32°F to 122°F (0°C to 50°C)
- Media Operating Temperature: 32°F to 203°F (0°C to 95°C)
- Maximum Pressure: 50 PSIG (345 kPa) @ Room Temperature
- Cv Flow Factor: 0.85
- Materials:
 - Body & Stem: Fluoroloy®-T
 - Handle: Polypropylene



Options

- Alternate end connections:
 - Nippon Pillar Super 300
 - Female NPT
 - Furon® Grab Seal
 - Others available on request

Saint-Gobain Performance Plastics-USA High Purity Systems

7301 Orangewood Avenue
Garden Grove, CA 92841-1411
Phone: (714) 630-5818
Fax: (714) 688-2614
USA Toll Free: (800) 833-5661

Saint-Gobain Performance Plastics-France High Purity Systems

EADAC des Berthilliers
71850 Charnay les Macons
France
Phone: +33(0)3 85 20 27 00
Fax: +33 (0)3 85 29 18 48



Furon® is a registered trademark.
Fluoroloy® is a registered trademark.

12-month Limited Warranty: For a period of 12 months from the date of first sale, Saint-Gobain Performance Plastics Corporation warrants this product to be free from defects in manufacturing. This company's only obligation will be to provide replacement product for any material proven to have such a defect, or at SGPL's option, to refund the purchase price thereof. User assumes all other risks, if any, including the risk of injury, loss or damage, whether direct, consequential or incidental, arising out of the use, misuse, or inability to use this product. SAINT-GOBAIN PERFORMANCE PLASTICS DISCLAIMS ALL IMPLIED WARRANTIES OF MERCHANTABILITY AND FITNESS FOR A PARTICULAR PURPOSE. Saint-Gobain Performance Plastics reserves the right to change product specifications without prior notice.

NOTE: Saint-Gobain Performance Plastics Corporation does not assume any responsibility or liability for any advice furnished by it, or for the performance or results of any installation or use of the product or of any final product into which the product may be incorporated by the purchaser and/or user.