

Furon® Q-Valve

Manual Multi-Turn Actuated, 2-Way Valve (1/4", 1/2" & 3/4" Orifice)



Description

The Furon® Q-Valve provides a high performance, low cost solution that ensures reliable fluid delivery to critical process applications. Compatible with most common installations, the Q-valve offers “Drop-in” replacement as a valve upgrade in new or existing applications. Designed and engineered to allow easy field maintenance with simple actuator and diaphragm replacement for low cost of ownership and superior system uptime.

- Multi-turn manually actuated on/off control for ultra high-purity, corrosive and aggressive chemicals

Applications

The Furon® Q-Valve is ideal for applications that demand ultra high-purity media handling along with the high quality and performance standards that you expect from Furon valves. Primary applications include ultra high-purity chemical delivery for semiconductor, photovoltaic, chemical processing, and life sciences.

Features/Benefits

- 100% HP PFA and Virgin PTFE wetted flow path
- Integrated Visual Position Indication
- Transparent actuation components
- Bi-directional flow
- Optional electronic position sensing
- Leak detection port (1/4-28 UNF)
- “Place and turn” integrated mounting base
- Mounting pattern and port dimensions interchangeable with major competitors
- Assembled, tested and double-bagged in a Class 100 clean room
- Metal free construction

Furon® Q-Valve

Manual Multi-Turn Actuated, 2-Way Valve (1/4", 1/2" & 3/4" Orifice)

Ordering Information

PART NO.	END CONNECTION	ORIFICE	PORT SIZE	A	B	C	D	E	PANEL CUTOUT Ø	MAX. PANEL THICKNESS
QV2-F44-MT-I	FLAREGRIP® II	1/4"	1/4"	3.59 (91.2mm)	0.57 (10.2mm)	1.61 (44.0mm)	4.38 (111.2mm) Closed 4.63 (117.5mm) Open	2.38	1.44	0.45
QV2-F46-MT-I	FLAREGRIP II	1/4"	3/8"	4.13 (105mm)						
QV2-744-MT	FUSEBOND™	1/4"	1/4"	4.00 (101.6mm)						
QV2-144-MT	FNPT	1/4"	1/4"	2.35 (59.8mm)						
QV2-F88-MT-I	FLAREGRIP II	1/2"	1/2"	4.48 (113.8mm)	0.73 (18.5mm)	1.85 (47.0mm)	5.03 (127.7mm) Closed 5.44 (138.2mm) Open	2.38	1.44	0.45
QV2-F812-MT-I	FLAREGRIP II	1/2"	3/4"	5.28 (134.0mm)						
QV2-788-MT	FUSEBOND	1/2"	1/2"	4.61 (117.0mm)						
QV2-7812-MT	FUSEBOND	1/2"	3/4"	5.28 (134.0mm)						
QV2-186-MT	FNPT	1/2"	3/8"	2.60 (66.0mm)						
QV2-188-MT	FNPT	1/2"	1/2"	2.60 (66.0mm)						
QV2-F1212-MT-I	FLAREGRIP II	3/4"	3/4"	6.09 (154.8mm)	0.97 (24.6mm)	2.74 (69.5mm)	6.67 (169.4mm) Closed 7.16 (181.9mm) Open	3.47	N/A	N/A
QV2-F1216-MT-I	FLAREGRIP II	3/4"	1"	5.71 (145.0mm)						
QV2-71212-MT	FUSEBOND	3/4"	3/4"	5.75 (146.0mm)						
QV2-71216-MT	FUSEBOND	3/4"	1"	5.71 (145.0mm)						

Operating Specifications

	1/4" ORIFICE	1/2" ORIFICE	3/4" ORIFICE
OPERATING PRESSURE	100 PSIG (6.8 BAR)	100 PSIG (6.8 BAR)	80 PSIG (5.5 BAR)
BACK PRESSURE	100 PSIG (6.8 BAR)	100 PSIG (6.8 BAR)	80 PSIG (5.5 BAR)
FLOW	C _v 0.8	C _v 3.5	C _v 9.4
TOOL KIT	1112226	1112227	1112228
ACTUATOR REPAIR KIT-MT	1113965	1113669	1113973
DIAPHRAGM REPAIR KIT	1113974	1113975	1113976

Flow is calculated using QV2-F46-NC, QV2-F812NC, and QV2-F1216. When using smaller orifice connections flow will be reduced accordingly.

Pneumatic and Quarter Turn Versions are also available.

- Pilot pressure: 60 PSIG (4.1 BAR) Minimum
100 PSIG (6.8 BAR) Maximum
- Pilot supply port: 1/8" FNPT
- Operating temperature: 15° C to 82° C (59° F to 180° F)
- Body: High-Purity PFA
- Diaphragm: Modified PTFE
- Actuator components: Polypropylene

Standard Options

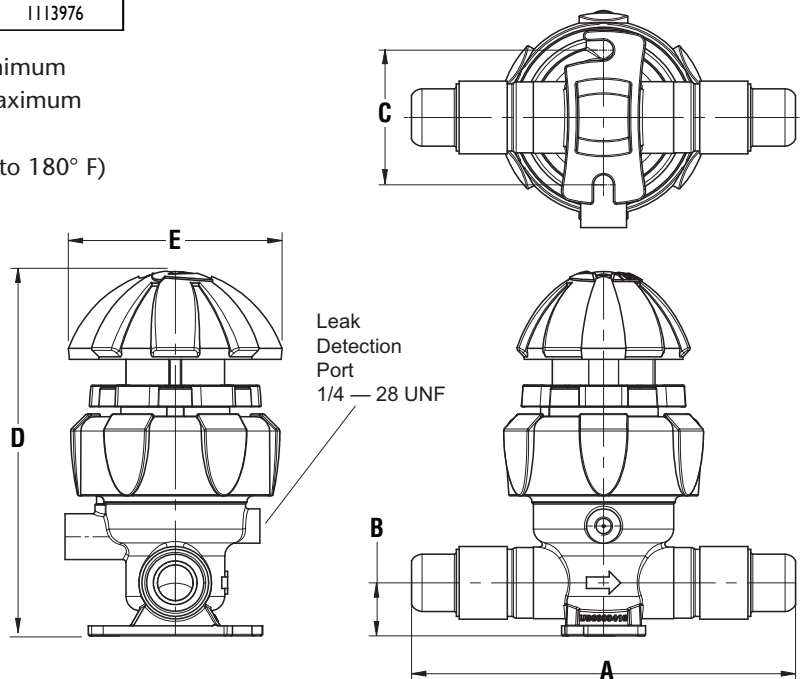
- PFA Flare Nuts

Saint-Gobain Performance Plastics-USA High Purity Systems

7301 Orangewood Avenue
Garden Grove, CA 92841-1411
Phone: (714) 630-5818
Fax: (714) 688-2614
USA Toll Free: (800) 833-5661

Saint-Gobain Performance Plastics-France High Purity Systems

EADAC des Berthilliers
71850 Charnay les Macons
France
Phone: +33(0)3 85 20 27 00
Fax: +33 (0)3 85 29 18 48



Made in the U.S.A.

*Rating at ambient temperature
US Patents 6,000,416 & 6,086,039
Furon® is a registered trademark.
FlareGrip® is a registered trademark.
FuseBond™ is a trademark.

12-month Limited Warranty: For a period of 12 months from the date of first sale, Saint-Gobain Performance Plastics Corporation warrants this product to be free from defects in manufacturing. This company's only obligation will be to provide replacement product for any material proven to have such a defect, or at SGPPL's option, to refund the purchase price thereof. User assumes all other risks, if any, including the risk of injury, loss or damage, whether direct, consequential or incidental, arising out of the use, misuse, or inability to use this product. SAINT-GOBAIN PERFORMANCE PLASTICS DISCLAIMS ALL IMPLIED WARRANTIES OF MERCHANTABILITY AND FITNESS FOR A PARTICULAR PURPOSE. Saint-Gobain Performance Plastics reserves the right to change product specifications without prior notice.

NOTE: Saint-Gobain Performance Plastics Corporation does not assume any responsibility or liability for any advice furnished by it, or for the performance or results of any installation or use of the product or of any final product into which the product may be incorporated by the purchaser and/or user.