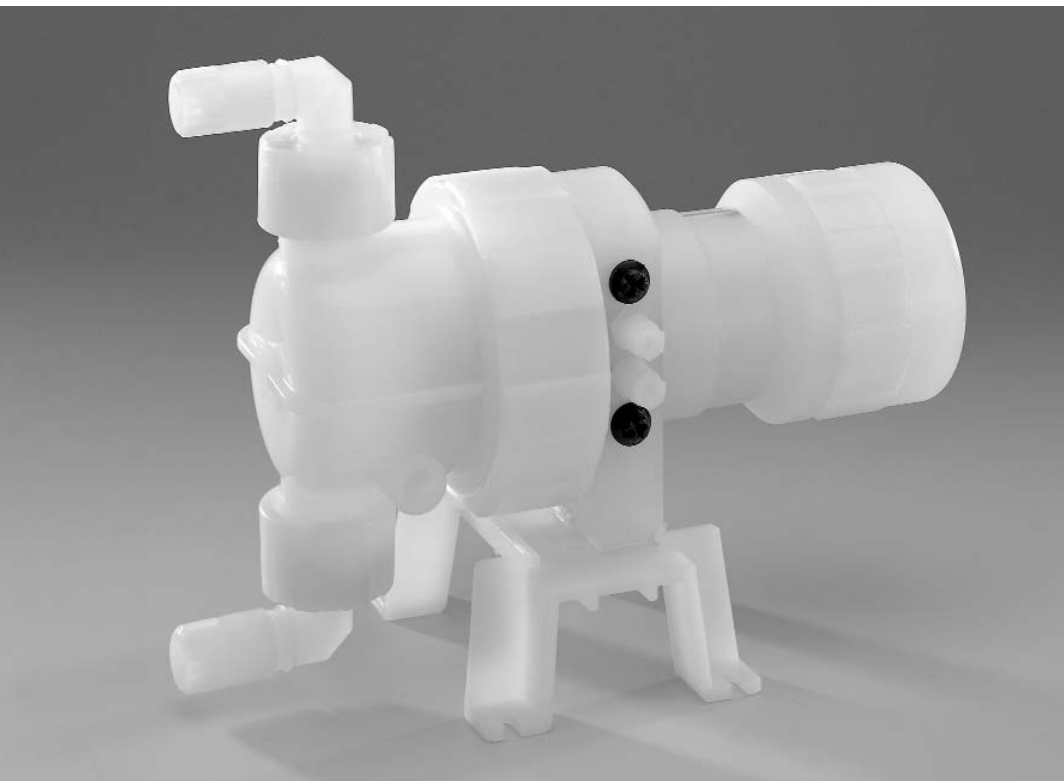


AstiPure™ PPRD2 Pneumatic Dispensing Pump

8—80 ml



Operation

The AstiPure™ PPRD pump is pneumatically operated: one bellow made from PTFE is driven forward and backward to deliver each dose of chemical. PPRD pump comes with either pneumatic, inductive or optical end position sensors. It can be operated according to various modes: single shot, timer, preset number of strokes...etc, depending on the characteristics of the control unit selected.

All AstiPure PPRD pump wetted components are manufactured with High Purity PFA and PTFE and are suitable for pumping even the most corrosive concentrated chemicals (acids and solvents).

All other components are manufactured with high technology materials; e.g. PVDF and PEEK, and ensure no ionic contamination of the chemical, even if there is a bellow failure.

Our pumps are assembled in our cleanroom, tested with DI water, cleaned, then double sealed in plastic bags.

Features/Benefits

- All wetted parts made of High Purity PFA or Virgin PTFE
 - No ionic contamination
- Assembled, cleaned and packed in clean room
 - No particle contamination
- Self-priming
 - Easy to start
- Compact and clear construction
 - Easy to locate and maintain
- Clever manual tuning of the dose from 8 to 80 ml
 - Easy to set up
- Delivered fluids: from 0 to 60 PSI (4 bar), from 32°F (0°C) up to 212°F (100°C), and up to 1000 Cpo.
 - Designed to meet many requirements
- Inductive, optic or pneumatic end position sensors
 - Designed to meet your needs
- Reproducibility < 1%
 - Designed for stringent processes

Applications

- Dosing of Ultrapure chemicals in Semiconductor wafer fabs
- Dispensing of sensitive fluids: Pharmaceutical process, Biotechnologies etc...
- Dispensing of corrosive fluids: Chemical injection, pH / density, detergents, glue, colors, flavors etc...

AstiPure PPRD2 Pneumatic Dispensing Pump

8—80 ml

Ordering Information

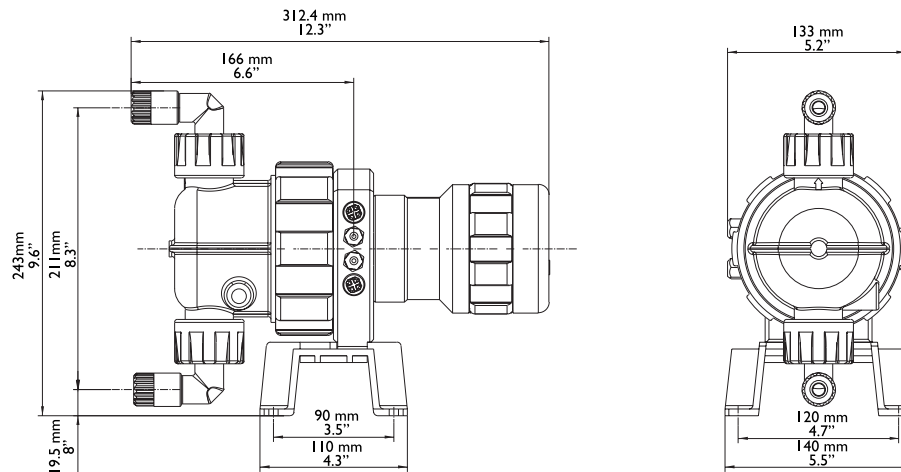
Pump Part Number	End of stroke sensors	Flare type fluid connections	Length
PPRD2 208	Pneumatic	Ø 8x10 mm - 5/16"x3/8"	A
PPRD2 210		Ø 10x13 mm - 3/8"x1/2"	B
PPRD2 308	Inductive	Ø 8x10 mm - 5/16"x3/8"	A
PPRD2 310		Ø 10x13 mm - 3/8"x1/2"	B
PPRD2 408	Fiber Optic	Ø 8x10 mm - 5/16"x3/8"	A
PPRD2 410		Ø 10x13 mm - 3/8"x1/2"	B

Type of Sensor	Type of Control	Control unit Part Number	Description
Pneumatic	Single shot	50 000 41	The pump delivers one dose and stops
	Timer	50 000 42	The pump delivers indefinitely a dose at preset time intervals (adjustable between 2 and 30 seconds)
	Preset counter	50 000 44	The pump delivers consecutively a preset number of doses
	Timer & Preset counter	50 000 43	The pump delivers a dose at preset time intervals (adjustable between 2 and 30 seconds), until a preset number of doses is reached
Inductive, Optical	Single shot	50 024 00	Allows your control device to electrically pilot the pump

Specifications

Single shot	Flow rate	Air operating pressure	Max. delivery pressure	Max. air consumption	Air connection	Weight
8 - 80 ml	0 - 1 GPM 0 - 240 l/h	40 - 70 PSI 3 - 5 bar	60 PSI 4 bar	3.5 SCFM 6 m ³ /h	Tubing 2.7 x 4 mm	8 Lbs 3.6 kg

Dimensions



Saint-Gobain Performance Plastics-USA

7301 Orangewood Avenue
Garden Grove, CA 92841-1411
Tel: (714) 630-5818
Fax: (714) 688-2614
USA Toll Free: (800) 833-5661

France

Tel: 33/(0) 1 55 68 59 59
Fax: 33/(0) 1 55 68 59 68

Japan

Tel: 81/(0) 2 6679 6400
Fax: 81/(0) 2 6670 1001



AstiPure™ is a trademark.
Specifications are subject to change without notice.

12-month Limited Warranty: For a period of 12 months from the date of first sale, Saint-Gobain Performance Plastics Corporation warrants this product to be free from defects in manufacturing. This company's only obligation will be to provide replacement product for any material proven to have such a defect, or at SGPPL's option, to refund the purchase price thereof. User assumes all other risks, if any, including the risk of injury, loss or damage, whether direct, consequential or incidental, arising out of the use, misuse, or inability to use this product. SAINT-GOBAIN PERFORMANCE PLASTICS DISCLAIMS ALL IMPLIED WARRANTIES OF MERCHANTABILITY AND FITNESS FOR A PARTICULAR PURPOSE.

NOTE: Saint-Gobain Performance Plastics Corporation does not assume any responsibility or liability for any advice furnished by it, or for the performance or results of any installation or use of the product or of any final product into which the product may be incorporated by the purchaser and/or user.