

PUMP

PFD

FIBRE OPTIC

**SAINT-GOBAIN PERFORMANCE PLASTICS ASTI
(Headquarters)**

41, boulevard des Bouvets
F-92741 NANTERRE CEDEX
Tel: 33. (0) 1.55.68.59.59
Fax:33. (0) 1.55.68.59.68

**SAINT-GOBAIN PERFORMANCE PLASTICS ASTI
(Factory)**

E.A.D.A.C. des Berthilliers
F-71850 CHARNAY LES MACON
Tel: 33. (0) 3.85.20.27.00
Fax: 33. (0) 3.85.29.18.48

SAINT-GOBAIN PERFORMANCE PLASTICS

7301 Orangewood Avenue
GARDEN GROVE, CA 92841
Phone: 1 (714) 630 5818
Fax: 1 (714) 688 2614

<http://www.astipure.com> - <http://www.plastics.saint-gobain.com>

PFD PUMP / FIBER OPTIC – OPERATING INSTRUCTIONS

INDEX	Page
I – General	2
II – Applications	2
III – Set up procedure	2
III.1 – Connection to the pneumatic valve	
III.2 – Connection to the amplifier	
IV – Wiring of the amplifier	2
V – Adjustment of the amplifier	3
Appendix	

PFD PUMP / FIBER OPTIC – OPERATING INSTRUCTIONS

I – General

The shuttle moves each time the bellows is reversed.

The fibre optic detects the highest position of the shuttle, i.e. when the bellows have performed a complete cycle (forward and backward).

It is connected to a photoelectric amplifier that gives a signal on each detection.

II – Applications

Detection by means of fibre optic is useful for:

- Checking the operation of the pump: if the amplifier does not give any signals, when the air supply of the pump is correct, the pump has stopped running,
- Metering of strokes: you can count the number of strokes performed by the pump in order to plan a preventive maintenance (see V.2 of PFD Operating Instructions).

III – Set up procedure

First of all, ensure that the air supply is turned off.

III.1 – Connection to the pneumatic valve

Unscrew and remove the nut located on top of the pneumatic valve P/N 2701 (PFD1 or PFD2 pump), P/N 2715 (PFD3 pump), or P/N 2493 (PFD4 pump).

Insert the tip of the fibre optic in the orifice of the pneumatic valve cap.

Gently tighten the nut.

If the pump you purchased is already mounted with a fibre optic attached, please disregard this paragraph.

III.2 – Connection to the amplifier

To connect the fibre optic to the amplifier (P/N 8318), push each fibre until the end of the socket is reached.

Slightly tighten the nuts.

The fibre optic is supplied in 5 meters length. If you need to cut the fibre, please always use the tool we supply.

IV – Wiring of the amplifier

Amplifier must be wired to a 24 VDC supply.

Wiring has to be made as follows:

- Blue: 0 V
- Brown: 24 V
- Black: Outlet

Before switching on, please ensure that supply voltage, load to be switched, and nominal primary voltage are compatible.

PFD PUMP / FIBER OPTIC – OPERATING INSTRUCTIONS

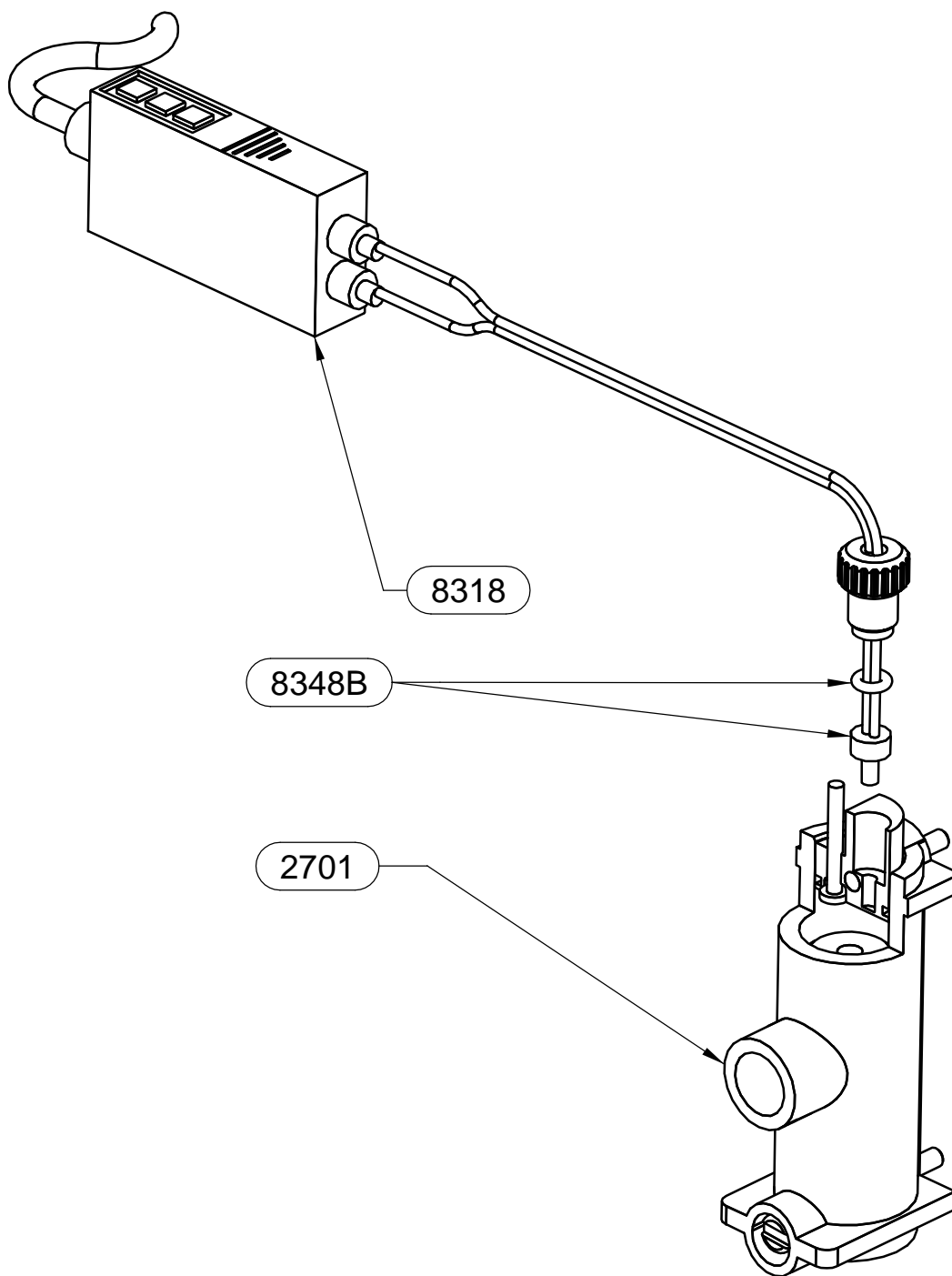
V – Adjustment of the amplifier

Make sure that the pump is running.

To adjust the amplifier, press the minus button until the red LED flashes on the bar graph. Then, press the plus button until the green LED flashes.

The adjustment is completed.

To lock the setting, press and hold the key button for 3 seconds. The display will flash to let you know that it is locked. To unlock it, follow the same procedure.



dessiné par:	PM	le	20/06/2002
modifié par:	-	le	-
vérifié par:		le	

DESIGNATION

2701i + 8318

REFERENCE

2701i CAB

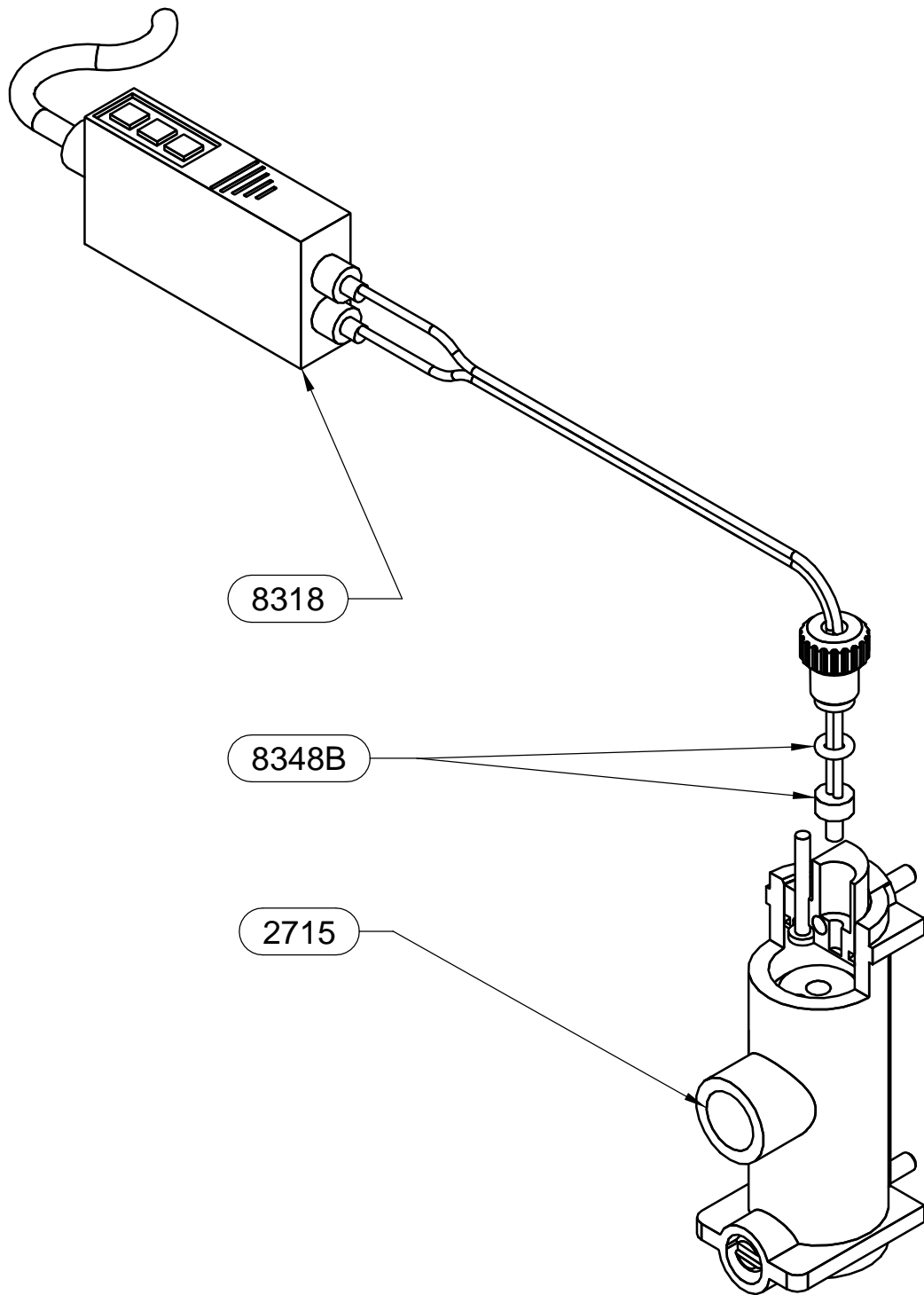
INDICE

00


SAINT-GOBAIN
PERFORMANCE PLASTICS

SAINT-GOBAIN PERFORMANCE PLASTICS ASTI
 41 Boulevard des Bouvets
 92000 Nanterre - France
 Tel: +33 (0)1 55 68 59 59
 Fax: +33 (0)1 55 68 59 68
<http://www.astipure.com>





8318

8348B

2715

dessiné par:	PM	le	20/06/2002
modifié par:	-	le	-
vérifié par:		le	

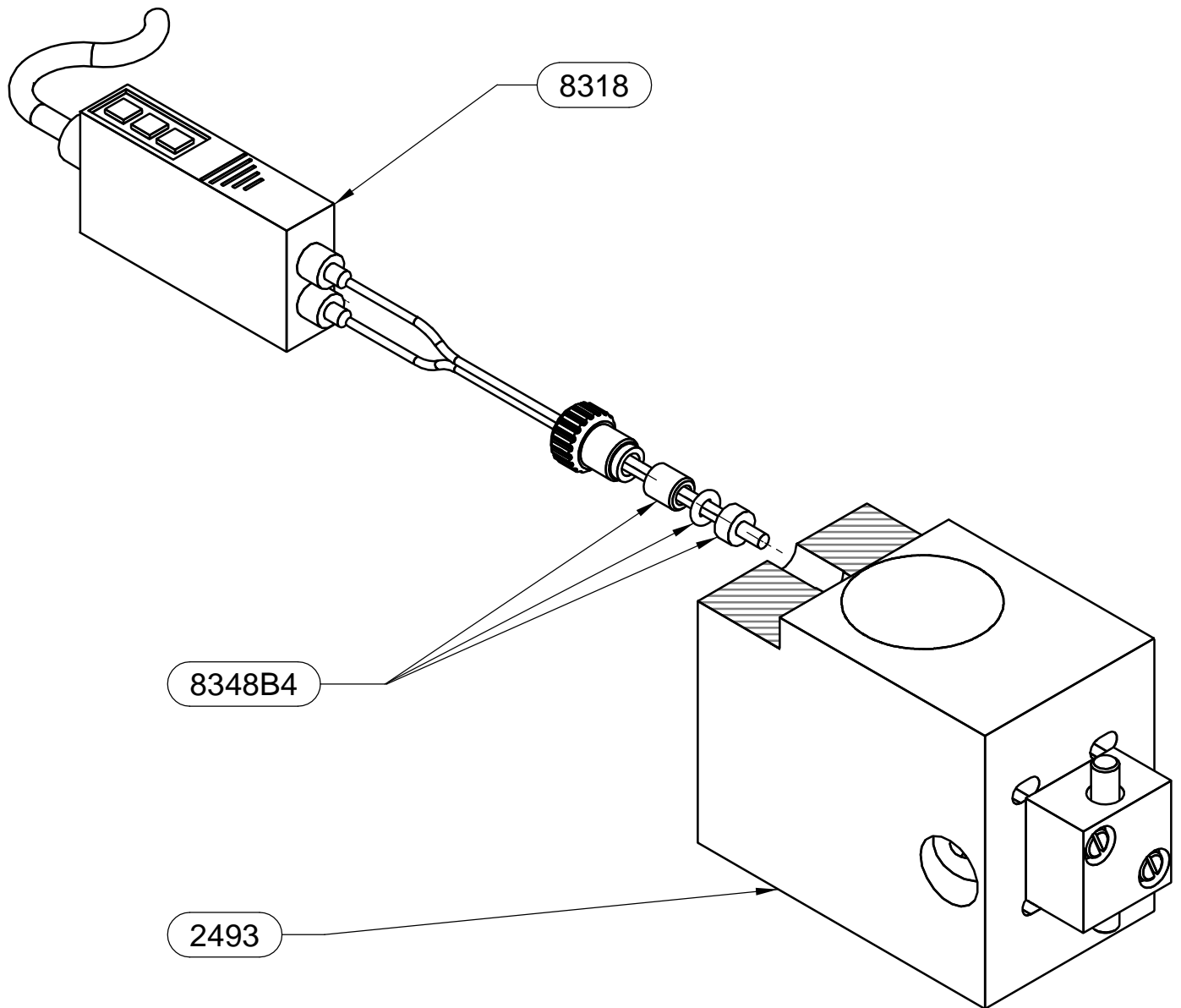
DESIGNATION
2715i + 8318

REFERENCE	INDICE
2715i CAB	00


SAINT-GOBAIN
PERFORMANCE PLASTICS

SAINT-GOBAIN PERFORMANCE PLASTICS ASTI
 41 Boulevard des Bouvets
 92000 Nanterre - France
 Tel: +33 (0)1 55 68 59 59
 Fax: +33 (0)1 55 68 59 68
<http://www.astipure.com>





dessiné par:	PM	le	21/06/2002
modifié par:	-	le	-
vérifié par:		le	

DESIGNATION	
2493i + 8318	

REFERENCE	INDICE
2493i CAB	00


SAINT-GOBAIN
PERFORMANCE PLASTICS

SAINT-GOBAIN PERFORMANCE PLASTICS ASTI
 41 Boulevard des Bouvets
 92000 Nanterre - France
 Tel: +33 (0)1 55 68 59 59
 Fax: +33 (0)1 55 68 59 68
<http://www.astipure.com>

