

Furon® 2" No O-Ring Union



Features / Benefits

- High purity PFA wetted flow path
- Tongue and groove seal
- No O-Ring design
- No dead space
- Assembled and double-bagged in a class 100 cleanroom
- 80 PSIG pressure seal
- Compatible with most corrosive chemicals
- No O-Ring design eliminates elastomeric contamination
- High pressure capability for improved worker safety

Applications

- Designed for use in semiconductor chemical delivery, chemical processing, high purity, and corrosive chemical applications
- Join components in a welded system
- Standard end connection for the Furon ChemPure™ 2" In-Line Valve
- Highly recommended for central chemical supply systems

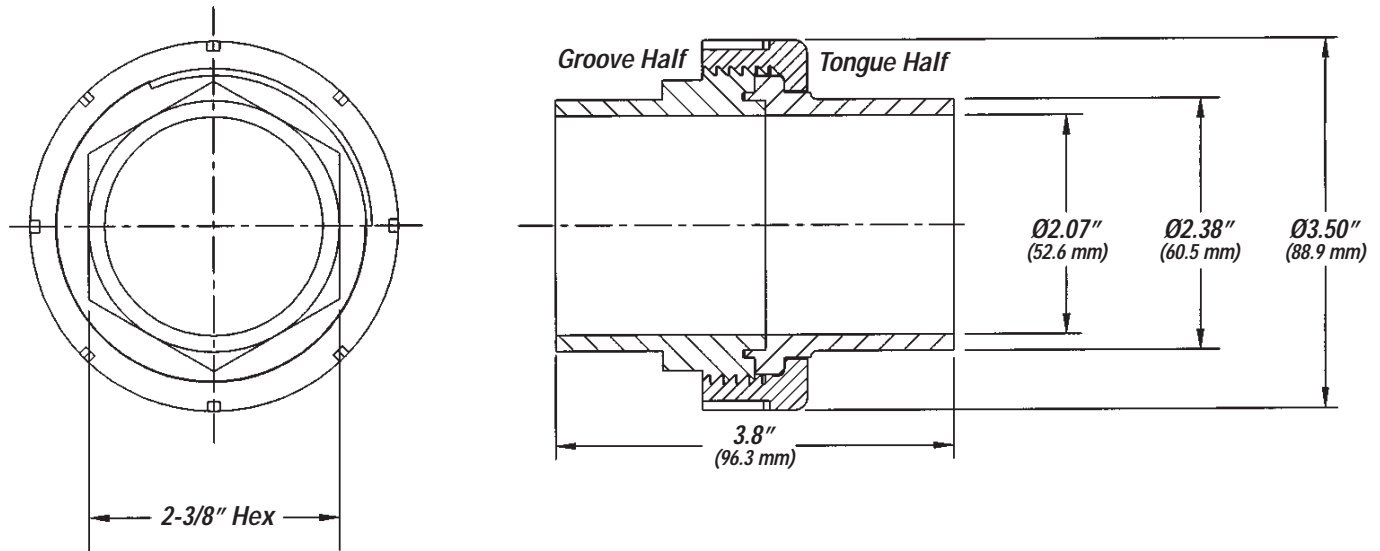
Operation

- Union with tongue and groove can be hand tightened
- Temperature range to 80° C

Furon® 2" No O-Ring Union

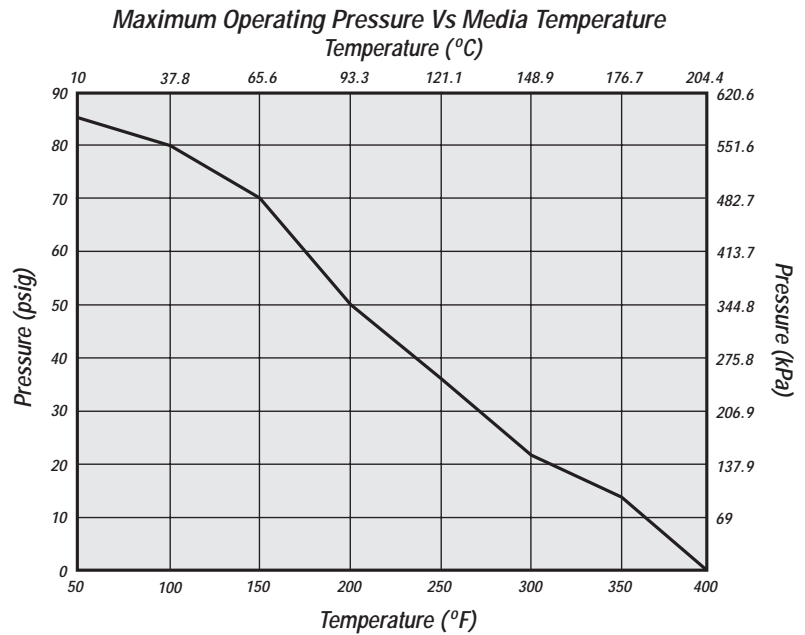
Ordering Information

Part Description	Availability	Pipe Size
SSUM 3273232	Stock	Standard 2"



Specifications and Performance

- Maximum temperature 80° C
- Maximum operating pressure 80 PSIG @ ambient



Saint-Gobain Performance Plastics

7301 Orangewood Avenue
 Garden Grove, CA 92841-1411
 Tel: (714) 630-5818
 Fax: (714) 688-2614
 USA Toll Free: (800) 833-5661



ChemPure is a trademark

12-month Limited Warranty: For a period of 12 months from the date of first sale, Saint-Gobain Performance Plastics Corporation warrants this product to be free from defects in manufacturing. This company's only obligation will be to provide replacement product for any material proven to have such a defect, or at SGPP's option, to refund the purchase price thereof. User assumes all other risks, if any including the risk of injury, loss or damage, whether direct, consequential or incidental, arising out of the use, misuse, or inability to use this product. SAINT-GOBAIN PERFORMANCE PLASTICS DISCLAIMS ALL IMPLIED WARRANTIES OF MERCHANTABILITY AND FITNESS FOR A PARTICULAR PURPOSE.

NOTE: Saint-Gobain Performance Plastics Corporation does not assume any responsibility or liability for any advice furnished by it, or for the performance or results of any installation or use of the product or of any final product into which the product may be incorporated by the purchaser and/or user.