

# Furon® NVX Valves

## Pneumatic Actuated, 2-Way & 3-Way



### Operation

- Pneumatically operated process control valve used as on/off control
- Designed for critical fluid/gas handling in a variety of application
- 100 PSIG (689 kPa) pressure capability forward and back pressure
- Available in NO and NC configuration (2-way version)

### Applications

- Semiconductor manufacturing, Biomedical research, and Chemical Process industries
- Specifically developed to handle high-pressure ultrapure liquids and corrosive chemicals
- Ideal for applications that demand high flow, high pressure, and compact size

### Features/Benefits

- 100% virgin PTFE construction reduces potential for contamination
- Fully swept flow path with minimum entrapment
- High forward and back pressure rating provides flexibility in system design
- Secondary containment diaphragm to the air system
- No exposed metallics
- Small footprint
- Assembled and doublebagged in class 100 clean room
- Easy to maintain
- Leak detection capability
- Patent pending on 3-way high-pressure low dead volume design

# Furon® NVX Valve

## Pneumatic Actuated, 2-Way & 3-Way Valves

### Ordering Information

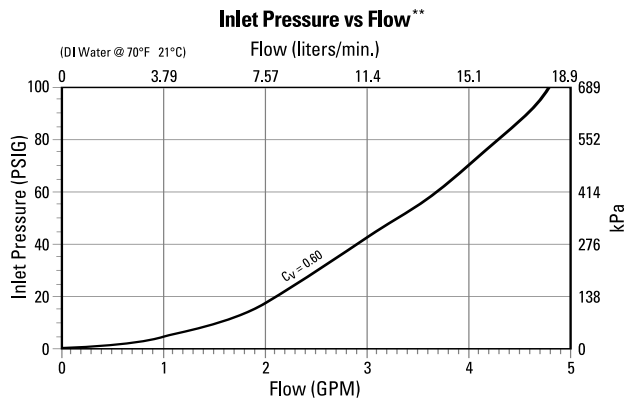
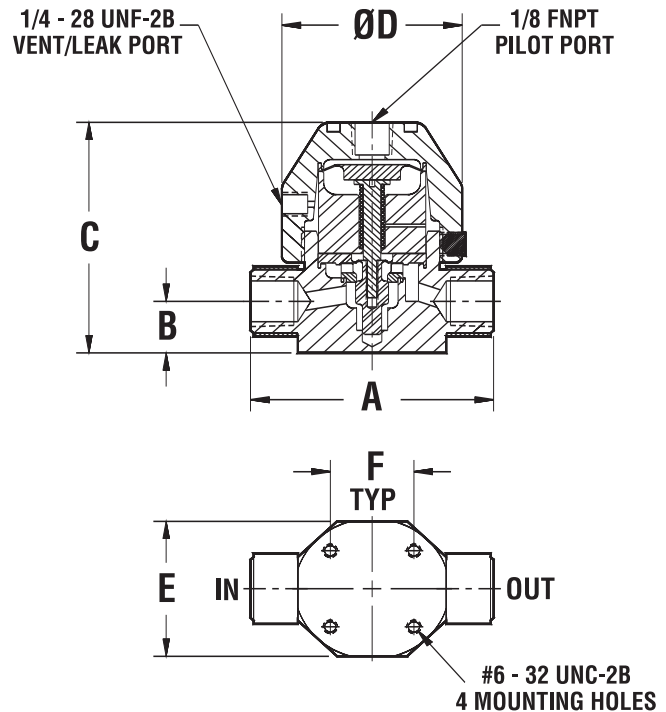
PART NO.	END CONNECTION	ORIFICE	PORT SIZE	A	B	C	ØD	E	F	G
<b>2-Way</b> NVX2-144-NC	FNPT	1/4"	1/4"	2.36 (59.94mm)	.55 (13.97mm)	2.50 (63.50mm)	1.75 (44.45mm)	1.44 (36.58mm)	.81 (20.57mm)	
NVX2-144-NO	FNPT	1/4"	1/4"	2.36 (59.94mm)	.55 (13.97mm)	2.50 (63.50mm)	1.75 (44.45mm)	1.44 (36.58mm)	.81 (20.57mm)	
<b>3-Way</b> NVX3-144-A	FNPT	1/4"	1/4"	2.36 (59.94mm)	.55 (13.97mm)	2.50 (63.50mm)	1.75 (44.45mm)	1.44 (36.58mm)	.81 (20.57mm)	1.90 (48.26mm)

### Specifications and Performance

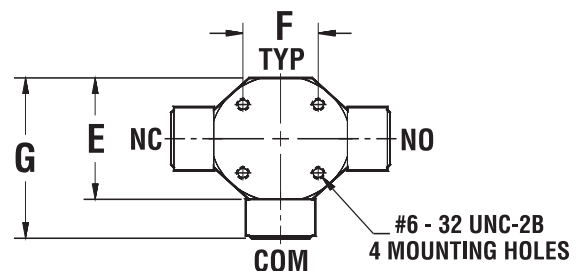
Ambient Operating Temperature:  
0°F to 176°F (-17°C to 80°C)

- Media Operating Temperature:  
0°F to 194°F (-17°C to 90°C)
- Actuation Pressure:  
60 PSIG (414 kPa) to 100 PSIG (689 kPa)  
@ Room Temperature
- Maximum Pressure (Any Port):  
100 PSIG (689 kPa) @ Room Temperature
- Internal Volume: 0.031 in<sup>3</sup> (0.50cc)

### 2-Way



### 3-Way



Saint-Gobain Performance Plastics-USA  
Polymer Products  
7301 Oranewood Avenue  
Garden Grove, CA 92841-1411  
Tel: (714) 630-5818  
Fax: (714) 688-2614  
USA Toll Free: (800) 833-5661

Saint-Gobain Performance Plastics-France  
Polymer Products  
41 Boulevard des Bouvets  
Nanterre F-92000, France  
Tel: 33/(0) 1 55 68 59 59  
Fax: 33/(0) 1 55 68 59 68



**12-month Limited Warranty:** For a period of 12 months from the date of first sale, Saint-Gobain Performance Plastics Corporation warrants this product to be free from defects in manufacturing. This company's only obligation will be to provide replacement product for any material proven to have such a defect, or at SGPPL's option, to refund the purchase price thereof. User assumes all other risks, if any, including the risk of injury, loss or damage, whether direct, consequential or incidental, arising out of the use, misuse, or inability to use this product. SAINT-GOBAIN PERFORMANCE PLASTICS DISCLAIMS ALL IMPLIED WARRANTIES OF MERCHANTABILITY AND FITNESS FOR A PARTICULAR PURPOSE. Saint-Gobain Performance Plastics reserves the right to change product specifications without prior notice.

NOTE: Saint-Gobain Performance Plastics Corporation does not assume any responsibility or liability for any advice furnished by it, or for the performance or results of any installation or use of the product or of any final product into which the product may be incorporated by the purchaser and/or user.