

FEATURES/BENEFITS

- 100% virgin PTFE wetted parts for high purity and corrosion resistance
- Fine thread on needle stem allows precise metering and flow control
- Small footprint design
- Bonnets and packing easily removable for cleaning
- Straight through flow path construction
- 90° angle body available as option

FURON® METERING VALVE

Manually Actuated, Multi-Turn (1/16" Orifice)



OPERATION

- Orifice size is set manually for precise flow control
- Bubble tight sealing
- Panel mountable

APPLICATIONS

- Very high resolution metering control for both fluid and most gases
- Fine metering for wet process tools, cluster tools and other critical dispense applications
- Designed for the Semiconductor and Instrumentation industries

FURON® METERING VALVE

Manually Actuated, Multi-Turn

ORDERING INFORMATION

PART NO.	END CONNECTION	ORIFICE	PORT SIZE	BODY	A	B	C	øD
MV1-12	FNPT	1/16	1/8	STRAIGHT BODY	1.49 (37.85mm)	.38 (9.65mm)	2.91 (73.84mm)	1.12 (28.45mm)
MV1-14	FNPT	1/16	1/4		1.67 (42.42mm)			
MV2-12	GRAB SEAL	1/16 *	1/8		2.29 (58.16 mm)			
MV2-14	GRAB SEAL	1/16 *	1/4		2.29 (58.16 mm)			

STANDARD OPTIONS

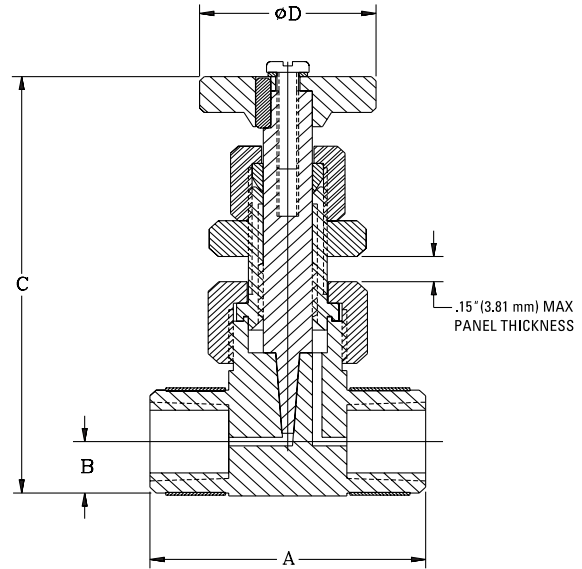
- Angle body valve (MVA)
- Standard Options are readily available with slightly longer lead times.
- Please contact your local distributor or factory for part number, price and delivery.

NON-STANDARD OPTIONS

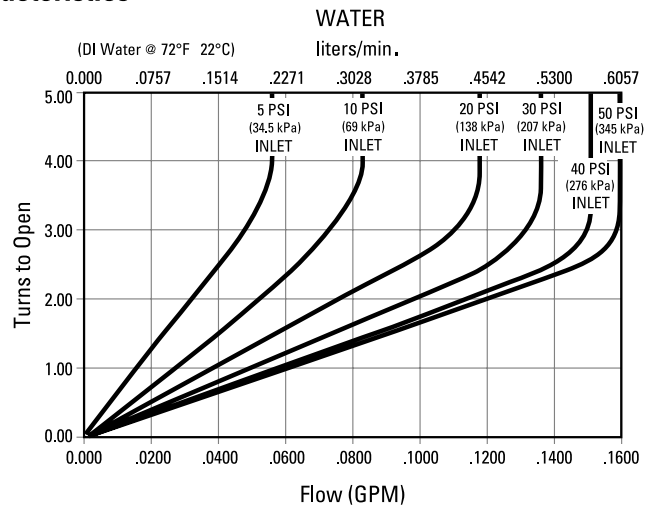
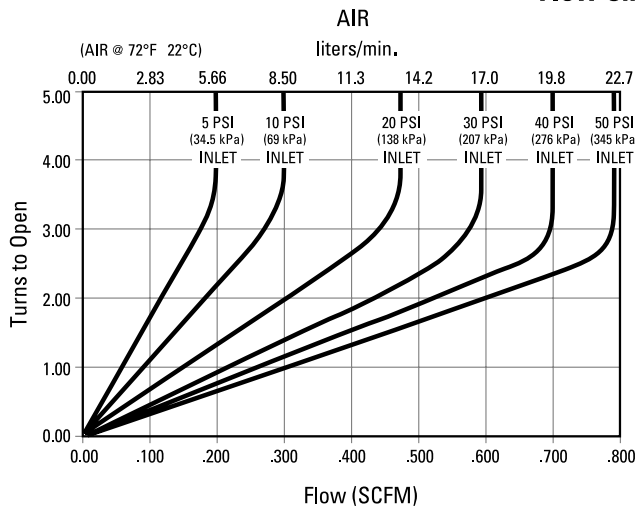
- Other End Connections Available:
 - Grab Seal™* (IMP) Metric Tube O.D.
 - 5mm, 6mm, 8mm, 10mm
 - Male NPT
- Non-Standard Options and custom configurations are welcome.
- Please consult factory for part number, price and delivery.

SPECIFICATIONS AND PERFORMANCE

- Ambient Operating Temperature:
 - 67°F to 183°F (-55°C to 85°C)
- Media Operating Temperature:
 - 67°F to 212°F (-55°C to 100°C)
- Operating Pressure:
 - Vacuum (27" Hg) to 75 PSIG (517 kPa)
 - @ Room Temperature



Flow Characteristics **



NOTES:

- * When selecting either Flare Grip® or Grab Seal™ ends, we recommend end connections that are larger than the valve orifice size in order to achieve full flow.
- ** Calculated performance data.

SAINT-GOBAIN PERFORMANCE PLASTICS

7301 Orangewood Avenue
Garden Grove, CA 92841-1411
Phone: (714) 630-5818
Fax: (714) 688-2614
USA Toll Free: (800) 833-5661

Furon® is a registered trademark.
Flare Grip® is a registered trademark.
Grab Seal™ is a registered trademark.



12-month **Limited Warranty:** For a period of 12 months from the date of first sale, Saint-Gobain Performance Plastics Corporation warrants this product to be free from defects in manufacturing. This company's only obligation will be to provide replacement product for any material proven to have such a defect, or at SGPL's option, to refund the purchase price thereof. User assumes all other risks, if any including the risk of injury, loss or damage, whether direct, consequential or incidental, arising out of the use, misuse, or inability to use this product. SAINT-GOBAIN PERFORMANCE PLASTICS DISCLAIMS ALL IMPLIED WARRANTIES OF MERCHANTABILITY AND FITNESS FOR A PARTICULAR PURPOSE.

NOTE: Saint-Gobain Performance Plastics Corporation does not assume any responsibility or liability for any advice furnished by it, or for the performance or results of any installation or use of the product or of any final product into which the product may be incorporated by the purchaser and/or user.