

Furon® UPM 1000 Valve

Pneumatic, 2-Way & 3-Way (1/4", 1/2", 3/4" Orifice)
with Sanitary Ends



Features/Benefits

- Superior life expectancy
- All virgin PTFE/molded high purity PFA wetted flow path
- Standard leak detection port
- Fully swept internal flow path with no entrapment areas to eliminate bacteria growth
- Assembled and double bagged in class 100 clean room
- No exposed metallics
- Integral swivel base for freedom and ease of mounting
- Actuation indication standard
- Materials meet USP Class VI specifications

Operation

- Pneumatically actuated on/off valve using air pressure
- Designed to handle up to 100 PSIG (689 kPa) pressure

Applications

- Ideal for chemical delivery equipment's need for high purity in corrosive process streams
- This product is suitable for use in the semiconductor, bio-tech, pharmaceutical and chemical process industries

Furon® UPM 1000 Sanitary Fittings Pneumatic, 2-Way & 3-Way (1/4", 1/2", 3/4" Orifice)

Ordering Information

PART NO.	END CONNECTION	ORIFICE	PORT SIZE	A	B	C	D	E	øF	øG
2-WAY										
UPM2-948-NC	SANITECH	1/4"	1/2"	3.12 (79.25)	1.38 (35.05)	3.13 (79.50)	2.72 (69.08)		.250 (6.35)	.540 (13.72)
UPM2-988-NC	SANITECH	1/2"	1/2"	4.88 (123.95)	1.70 (43.18)	3.77 (95.76)	3.62 (91.95)		.394 (10.01)	.750 (19.05)
UPM2-91212-NC	SANITECH	3/4"	3/4"	6.90 (175.26)	1.87 (47.49)	4.06 (103.12)	4.20 (106.68)		.620 (15.75)	.840 (21.33)
3-WAY										
UPM3-948-NC	SANITECH	1/4"	1/2"	3.12 (79.25)	1.38 (35.05)	3.13 (79.50)	2.72 (69.08)	1.56 (39.62)	.250 (6.35)	.540 (13.72)
UPM3-988-NC	SANITECH	1/2"	1/2"	4.88 (123.95)	1.70 (43.18)	3.77 (95.76)	3.62 (91.95)	2.44 (61.98)	.394 (10.01)	.750 (19.05)
UPM3-91212-NC	SANITECH	3/4"	3/4"	5.90 (149.86)	1.87 (47.49)	4.06 (103.12)	4.20 (106.68)	2.95 (74.93)	.620 (15.75)	.840 (21.33)

Options

- De-Energized Position normally open (NO) (UPM2 - * - NO)
- Please contact your local distributor or factory for part number, price and delivery.
- Valve actuation visual indicator "VI"

Specifications and Performance

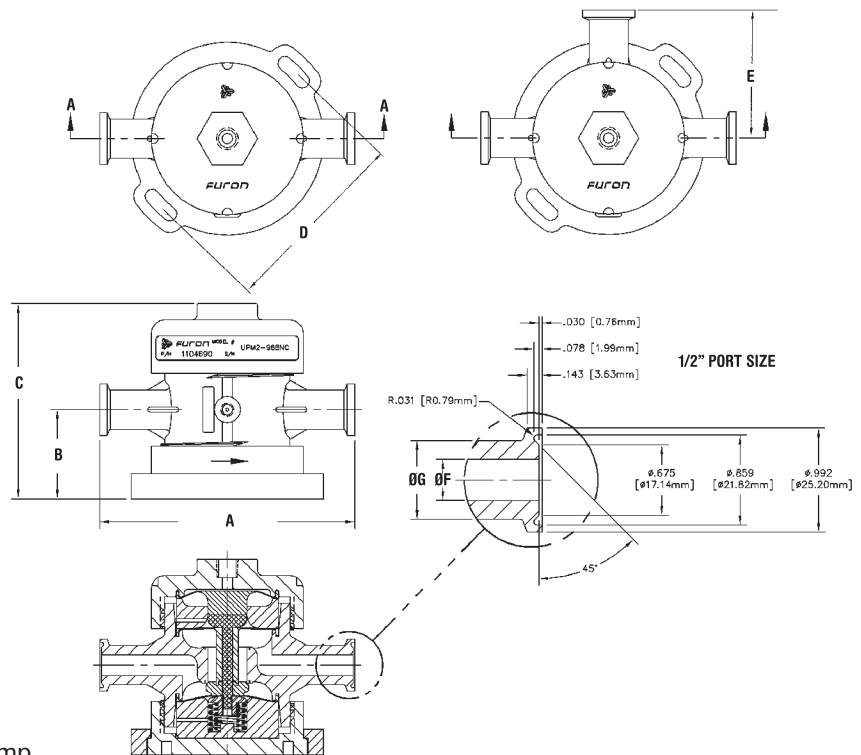
- Ambient Operating Temperature: 0°F to 203°F (-17°C to 95°C)
- Media Operating Temperature: 0°F to 203°F (-17°C to 95°C)
- Air Actuator Pressure: 70 PSIG (483 kPa) to 90 PSIG (621 kPa)

2-Way

- Maximum Forward Pressure: 100 PSIG (689 kPa) @ room temp.
- Maximum Back Pressure: 100 PSIG (689 kPa) @ room temp.

3-Way

- Maximum Forward Pressure: 100 PSIG (689 kPa) @ room temp.
- Maximum Back Pressure: Normally Closed 90 PSIG (689 kPa) @ room temp.
Normally Open 60 PSIG (414 kPa) @ room temp.



Saint-Gobain Performance Plastics-USA Polymer Products

7301 Orangewood Avenue
Garden Grove, CA 92841-1411
Tel: (714) 630-5818
Fax: (714) 688-2614
USA Toll Free: (800) 833-5661

Saint-Gobain Performance Plastics-France Polymer Products

41 Boulevard des Bouvets
Nanterre F-92000, France
Tel: 33/(0) 1 55 68 59 59
Fax: 33/(0) 1 55 68 59 68



Furon® is a registered trademark.

12-month **Limited Warranty:** For a period of 12 months from the date of first sale, Saint-Gobain Performance Plastics Corporation warrants this product to be free from defects in manufacturing. This company's only obligation will be to provide replacement product for any material proven to have such a defect, or at SGPL's option, to refund the purchase price thereof. User assumes all other risks, if any, including the risk of injury, loss or damage, whether direct, consequential or incidental, arising out of the use, misuse, or inability to use this product. SAINT-GOBAIN PERFORMANCE PLASTICS DISCLAIMS ALL IMPLIED WARRANTIES OF MERCHANTABILITY AND FITNESS FOR A PARTICULAR PURPOSE.

NOTE: Saint-Gobain Performance Plastics Corporation does not assume any responsibility or liability for any advice furnished by it, or for the performance or results of any installation or use of the product or of any final product into which the product may be incorporated by the purchaser and/or user.