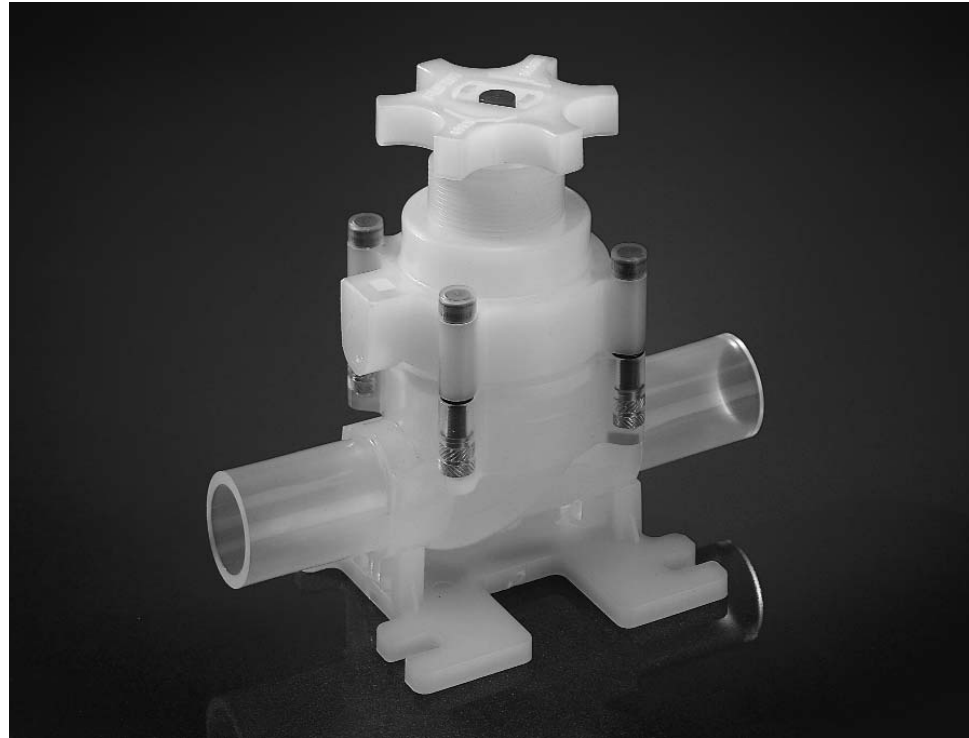


## FEATURES/BENEFITS

- High  $C_v$  flow factor
- Superior MTFB (Mean Time Between Failure)
- Injection Molded, High Purity PFA-Wetted Flow Path with Virgin PTFE Diaphragm
- No Exposed Metallics
- Fully Swept Flow Path
- Assembled, Tested and Double-Bagged in a Class 100 Cleanroom
- Leak Detection Capability
- Visible Position Indication
- High Back Pressure Capability
- 100% Tested for Operation
- Mounting Pattern Interchanges with Major Competitor
- Combines high  $C_v$  flow factor with smaller footprint than TEFLON® valves with similar flow capabilities
- Meets the semiconductor industry's high purity chemical requirements
- Complete drain down
- No hold up volume
- Rapid installation due to the high center line

# FURON® J-VALVE

## Manually Actuated 2-Way Valve



## OPERATION

- Manually operated multi-turn featuring throttling and soft closure capability
- 85 PSIG rated operating pressure
- 85 PSIG rated/back pressure

## APPLICATIONS

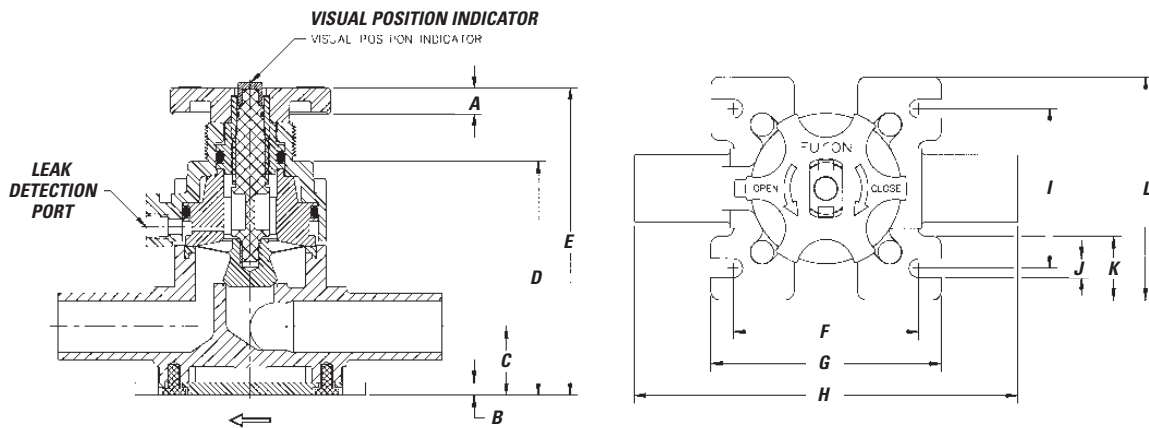
- Designed for use in semiconductor process, high purity, and corrosive chemical applications
- Ideal for applications that demand high pressure capabilities and a high  $C_v$  flow factor
- Adjusts flow rates for volumetric control in process applications

# FURON® J- VALVE

## Manually Actuated 2-Way Valve

### ORDERING INFORMATION

PART DESCRIPTION	END CONNECTION	Cv FLOW FACTOR	PORT SIZE	A	B	C	D	E	F	G	H	I	J	K	L
JV2-F128-MT	FLARE GRIP™ II	2.3	1/2"	.41" (10.4)	.20" (5.1)	1.1" (27.41)	3.7" (93)	4.8" (122.2)	2.9" (73.7)	3.6" (91.4)	5.8" (146.1)	2.5" (63.5)	.30" (7.6)	1.0" (25.4)	3.5" (88.9)
JV2-F1212-MT	FLARE GRIP™ II	5.2	3/4"	.41" (10.4)	.20" (5.1)	1.1" (27.41)	3.7" (93)	4.8" (122.2)	2.9" (73.7)	3.6" (91.4)	5.8" (146.1)	2.5" (63.5)	.30" (7.6)	1.0" (25.4)	3.5" (88.9)
JV2-71212-MT	FUSE BOND	5.2	3/4"	.41" (10.4)	.20" (5.1)	1.1" (27.41)	3.7" (93)	4.8" (122.2)	2.9" (73.7)	3.6" (91.4)	5.8" (146.1)	2.5" (63.5)	.30" (7.6)	1.0" (25.4)	3.5" (88.9)
JV2-F1216-MT	FLARE GRIP™ II	5.2	1"	.41" (10.4)	.20" (5.1)	1.1" (27.41)	3.7" (93)	4.8" (122.2)	2.9" (73.7)	3.6" (91.4)	5.8" (146.1)	2.5" (63.5)	.30" (7.6)	1.0" (25.4)	3.5" (88.9)

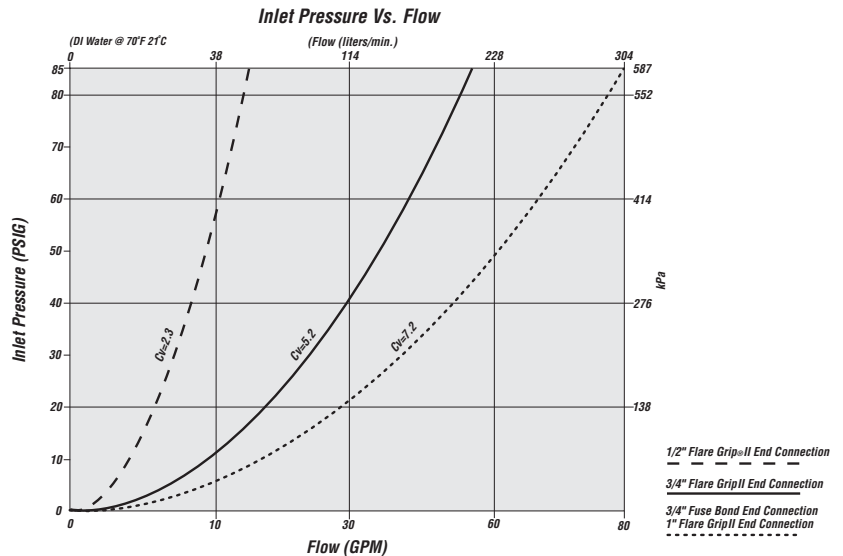


### OPTIONS

- Panel mount nut
- Flare Grip® II with nut
- Consult factory for other end connection configurations

### SPECIFICATIONS AND PERFORMANCE

- 85 PSIG maximum operating pressure
- 85 PSIG maximum back pressure
- Fluid temperature range from 0°C to 95°C
- Pilot air actuation pressure 70—100 PSIG
- C<sub>v</sub> flow factor 7.2 with 3/4" Fuse Bond end connections and 1" Flare Grip end connections



### SAINT-GOBAIN PERFORMANCE PLASTICS

7301 Orangewood Avenue  
 Garden Grove, CA 92841-1411  
 Phone: (714) 630-5818  
 Fax: (714) 688-2614  
 USA Toll Free: (800) 833-5661



Furon® is a registered trademark.  
 Flare Grip® is a registered trademark.  
 TEFLON is a registered trademark of the DuPont Co.

**12-month Limited Warranty:** For a period of 12 months from the date of first sale, Saint-Gobain Performance Plastics Corporation warrants this product to be free from defects in manufacturing. This company's only obligation will be to provide replacement product for any material proven to have such a defect, or at SGPPL's option, to refund the purchase price thereof. User assumes all other risks, if any including the risk of injury, loss or damage, whether direct, consequential or incidental, arising out of the use, misuse, or inability to use this product. SAINT-GOBAIN PERFORMANCE PLASTICS DISCLAIMS ALL IMPLIED WARRANTIES OF MERCHANTABILITY AND FITNESS FOR A PARTICULAR PURPOSE.

NOTE: Saint-Gobain Performance Plastics Corporation does not assume any responsibility or liability for any advice furnished by it, or for the performance or results of any installation or use of the product or of any final product into which the product may be incorporated by the purchaser and/or user.