

Furon® InLine-1000 (Molded) 1" High Flow Valve

Pneumatic or Manual Actuated 2-Way Valve



Description

The new high-purity injection-molded InLine-1000 Valve was developed to provide end-users a maximum flow efficiency coupled with a space saving footprint required by cost-conscious customers.

Incorporating "No O-Ring" Union end fittings to the InLine-1000 offers the advantages of a welded system with the ability to rapidly change out components while eliminating dead volume and elastomeric contamination.

Applications

The InLine-1000 Valve is designed for use in semiconductor valve boxes, chemical delivery, chemical processing and high purity/corrosive chemical applications. The InLine configuration provides higher flows required for 300 MM and LCD production.

Features/Benefits

- 100% PFA HP and Virgin PTFE wetted flow path
- Patented rolling diaphragm technology
- High flow factor, C_v 15
- High purity design and build clean construction reduces possibility of process contamination
- Fully swept, low shear internal flow path
- No exposed metallics
- Visual position indicator standard on manual and pneumatic versions
- Leak detection port (1/4-28 UNF)
- Quick-release, non-metallic 8-position mounting base
- Port connections: 1" Fine Thread Flare or Fuse Bond
- Assembled, tested and double-bagged in a class 100 cleanroom

Furon® InLine-1000 (Molded) 1" High Flow Valve

| Part Number | Options* | Product Description |
|-------------|----------|---|
| INL-F1616NC | A | 2-Way InLine Pneumatic Valve with 1" Fine Thread Fittings |
| INL-F1616MT | A | 2-Way InLine Manual Valve with 1" Fine Thread Fittings |
| INL-71616NC | A | 2-Way InLine Pneumatic Valve with 1" Fuse Bond Fittings |
| INL-71616MT | A | 2-Way InLine Manual Valve with 1" Fuse Bond Fittings |
| 1109366 | | Rebuild Kit, RDVM/SMDVM/InLine, Pneumatic |
| 1109367 | | Rebuild Kit, RDVM/SMDVM/InLine, Manual |
| 1109527-1 | B | 3/8" Universal Fitting-3/8" Fine Thread Flare, Purge Port |

*Options:

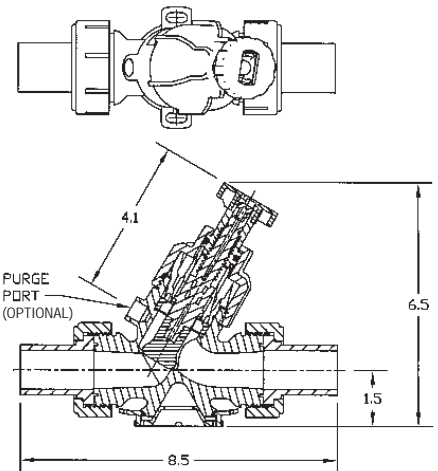
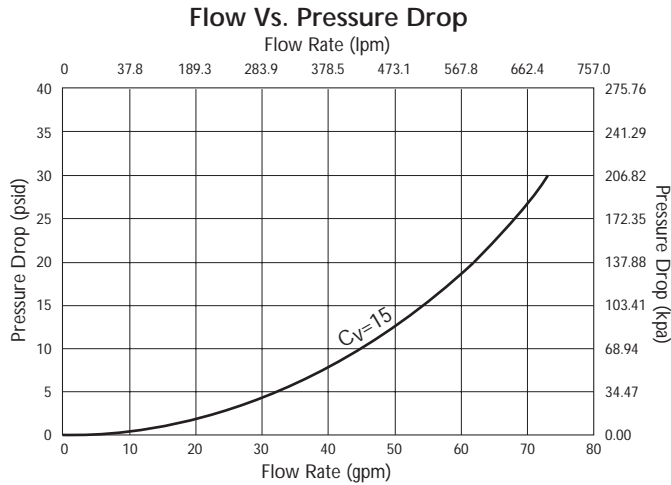
A. Valves: Add (-P) to part number for Purge Port

B. Universal Fittings: Standard nut material is PVDF, for optional PFA nut substitute (-1) with (-3)

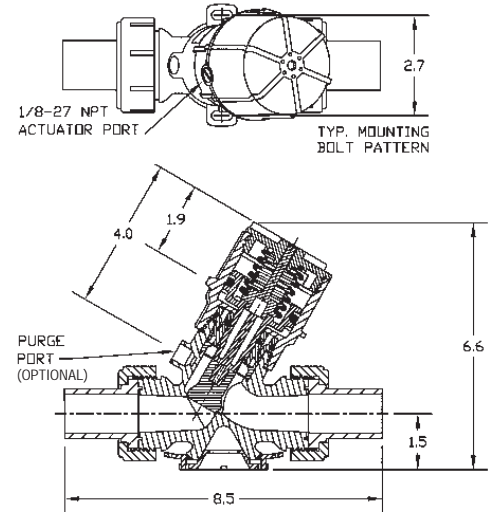
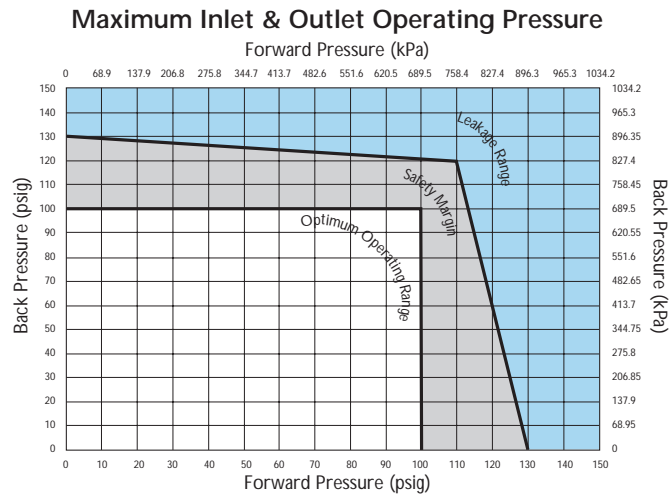
For additional end fittings/or options consult factory

Specifications & Performance

- 100 PSIG maximum operating pressure @ 72°F (22°C)
- 100 PSIG maximum back pressure @ 72°F (22°C)
- Fluid temperature range from 40°F to 212°F (5°C to 100°C)
- Maximum ambient temperature 150°F (65°C)
- Pilot air actuation pressure 60—90 PSIG
- C_V flow factor 15 with 1" end connections



InLine-1000 Manual



InLine-1000 Pneumatic

Saint-Gobain Performance Plastics
 7301 Orangewood Avenue
 Garden Grove, CA 92841-1411
 Tel: (714) 630-5818
 Fax: (714) 688-2614
 USA Toll Free: (800) 833-5661



Furon is a registered trademark.

12-month Limited Warranty: For a period of 12 months from the date of first sale, Saint-Gobain Performance Plastics Corporation warrants this product to be free from defects in manufacturing. This company's only obligation will be to provide replacement product for any material proven to have such a defect, or at SGPL's option, to refund the purchase price thereof. User assumes all other risks, if any including the risk of injury, loss or damage, whether direct, consequential or incidental, arising out of the use, misuse, or inability to use this product. SAINT-GOBAIN PERFORMANCE PLASTICS DISCLAIMS ALL IMPLIED WARRANTIES OF MERCHANTABILITY AND FITNESS FOR A PARTICULAR PURPOSE.

NOTE: Saint-Gobain Performance Plastics Corporation does not assume any responsibility or liability for any advice furnished by it, or for the performance or results of any installation or use of the product or of any final product into which the product may be incorporated by the purchaser and/or user.