

FEATURES/BENEFITS

- Elevated temperature capability to 150°C which allows draining of hot chemicals
- Several dilution ratios available (2:1, 5:1, 10:1, 20:1)
- PTFE/ Perfluoroelastomers wetted surfaces
- Water inlet pressure activated (no additional pilot circuits required)
- Flare Grip® End Connections are standard; Fuse Bond End Connection are optional

FURON® HIGH TEMPERATURE DILUTION DRAIN VALVE

Media Actuated



OPERATION

- Water inlet pressure opens an internal poppet valve, a vacuum is created by the internal venturi nozzle which siphons and dilutes the process fluids from a tank at a pre-selected, fixed ratio

APPLICATIONS

- Fast drain down of high temperature media
- Unique field proven design with patent
- For Semiconductor or Process Equipment industries where the chemical tank draining system is restricted by environmental safety hazard code, or secondary operations require a decrease in chemical concentration and temperature reduction

FURON® HIGH TEMPERATURE DILUTION DRAIN VALVE

Media Actuated

ORDERING INFORMATION

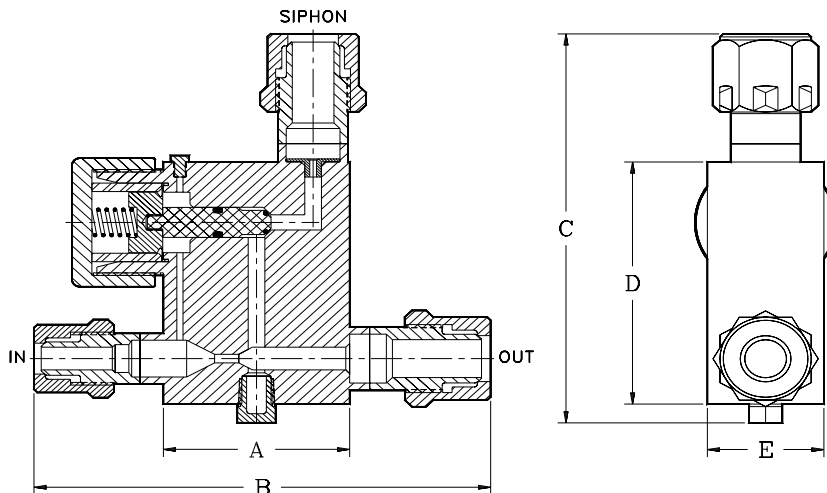
PART NO.	DILUTION RATIO	INLET PORT	END CONNECTION	SIPHON/OUTLET	A	B	C	D	E
DDVHT-2-6812*	2:1	1/2	FLARE GRIP	3/4	2.80 (71.12mm)	7.37 (187.20mm)	6.69 (169.93mm)	4.00 (101.60mm)	1.75 (44.45mm)
DDVHT-5-6812*	5:1	1/2	FLARE GRIP	3/4					
DDVHT-10-6812*	10:1	1/2	FLARE GRIP	3/4					
DDVHT-20-6812*	20:1	1/2	FLARE GRIP	3/4					

NON-STANDARD OPTIONS

Other End Connections available:
Fuse Bond

Non-Standard Options and custom configurations are welcome.

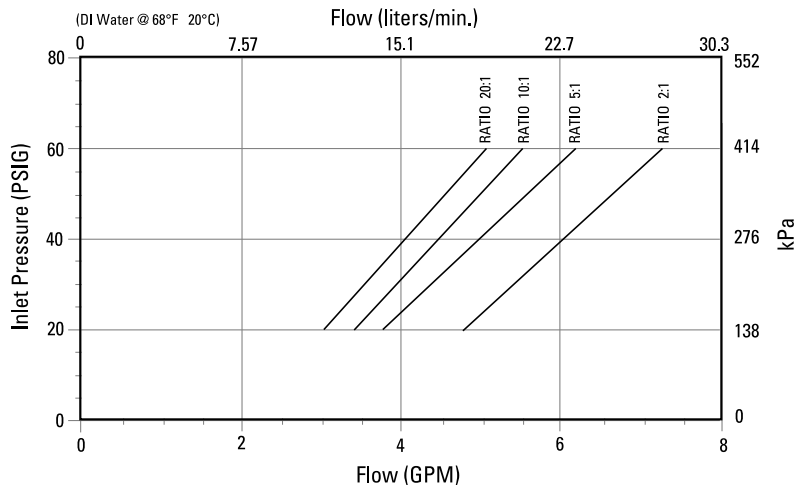
Please consult factory for part number, price and delivery.



SPECIFICATIONS AND PERFORMANCE

- Maximum Operating Temperature to siphon: 302°F (150°C)
- DI Water to Inlet: 20 PSIG (138 kPa) to 60 PSIG (414 kPa)
- Vacuum Rating:
 - 14" Hg @ 20 PSIG (138 kPa) DI Inlet
 - 25" Hg @ 40 PSIG (276 kPa) DI Inlet
 - 27" Hg @ 50 PSIG (345 kPa) DI Inlet

**
Inlet Pressure vs Flow



NOTES:

*When selecting either Flare Grip® or Grab Seal™ ends, we recommend end connections that are larger than the valve orifice size in order to achieve full flow.

**Actual lab data.

SAINT-GOBAIN PERFORMANCE PLASTICS

7301 Orangewood Avenue
Garden Grove, CA 92841-1411
Phone: (714) 630-5818
Fax: (714) 688-2614

USA Toll Free: (800) 833-5661

Furon® is a registered trademark.
Flare Grip® is a registered trademark.
Grab Seal™ is a registered trademark.



12-month **Limited Warranty:** For a period of 12 months from the date of first sale, Saint-Gobain Performance Plastics Corporation warrants this product to be free from defects in manufacturing. This company's only obligation will be to provide replacement product for any material proven to have such a defect, or at SGPL's option, to refund the purchase price thereof. User assumes all other risks, if any including the risk of injury, loss or damage, whether direct, consequential or incidental, arising out of the use, misuse, or inability to use this product. SAINT-GOBAIN PERFORMANCE PLASTICS DISCLAIMS ALL IMPLIED WARRANTIES OF MERCHANTABILITY AND FITNESS FOR A PARTICULAR PURPOSE.

NOTE: Saint-Gobain Performance Plastics Corporation does not assume any responsibility or liability for any advice furnished by it, or for the performance or results of any installation or use of the product or of any final product into which the product may be incorporated by the purchaser and/or user.