

Furon® HPV Diaphragm Valve

Manually Actuated, 2-Way, Quarter Turn (3/16" & 1/4" Orifice)



Features/Benefits

- Pressure rated to 80 PSIG (552 kPa)
- Integral mounting base with top or bottom mount standard
- Panel mount feature is standard
- Leak detection port
- Common port height with multi-turn, pneumatic and 3-way versions
- High purity PFA and PTFE wetted flowpath
- Semi F57 Compliant

Operation

- Manually actuated 2 way diaphragm valve. Turn valve handle 90° for instant on/off flow control

Applications

- Designed for use in ultrapure deionized water and aggressive chemical media applications
- Market applications include Semiconductor, Flat Panel, and Photovoltaic manufacturing; Chemical Processing and Biomedical industries

Furon® HPV Diaphragm Valve Manually Actuated, 2-Way, Quarter Turn

Ordering Information

DESCRIPTION	END CONNECTION	ORIFICE	PORT SIZE	A
HPV2-734-M	FUSEBOND™	1/4	1/4	1.66 (42mm)
HPV2-F34-M	FLAREGRIP® II	3/16	1/4	3.51 (89mm)
HPV2-F36-M	FLAREGRIP II	1/4	3/8	3.71 (94mm)
HPV2-S30044-M*	PILLAR S300	3/16	1/4	2.56 (65mm)

HPV Quarter-Turn

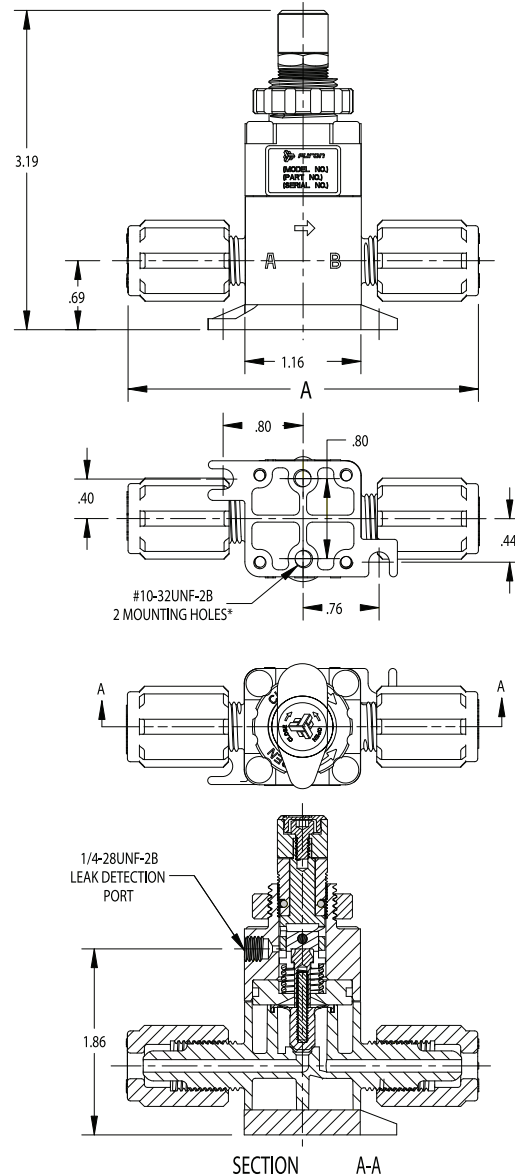
- HPV products are also available in 2-way pneumatic, multi-turn and 3-way versions with common port heights
- Custom multi-valve manifold designs available to implement complex media flow path requirements where minimal footprint is critical

Non-Standard Options

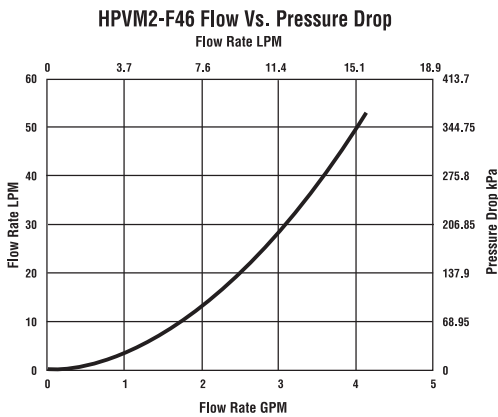
- PFA Fine Thread Flare nuts

Specifications and Performance

- Maximum Operating Temperature: 176°F (80°C)
- Maximum Operating Pressure (Water): 80 PSIG (552 kPa)
- Vacuum: 25" Hg
- C_v Factor: 0.80
- Body: High Purity PFA
(* Virgin PTFE for Pillar S300 Valve)
- Diaphragm: Modified PTFE
- Actuator Housing: Polypropylene



For panel mounting use Ø 3/4" mounting hole, 1/4" maximum panel thickness.



Saint-Gobain Performance Plastics-USA

7301 Orangewood Avenue
Garden Grove, CA 92841-1411
Tel: (714) 630-5818
Fax: (714) 688-2614
USA Toll Free: (800) 833-5661

Saint-Gobain Performance Plastics-France

41 Boulevard des Bouvets
Nanterre F-92000, France
Tel: 33/(0) 1 55 68 59 59
Fax: 33/(0) 1 55 68 59 68



Furon® is a registered trademark.
FlareGrip® is a registered trademark.
FuseBond™ is a trademark.

12-month Limited Warranty: For a period of 12 months from the date of first sale, Saint-Gobain Performance Plastics Corporation warrants this product to be free from defects in manufacturing. This company's only obligation will be to provide replacement product for any material proven to have such a defect, or at SGPPL's option, to refund the purchase price thereof. User assumes all other risks, if any, including the risk of injury, loss or damage, whether direct, consequential or incidental, arising out of the use, misuse, or inability to use this product. SAINT-GOBAIN PERFORMANCE PLASTICS DISCLAIMS ALL IMPLIED WARRANTIES OF MERCHANTABILITY AND FITNESS FOR A PARTICULAR PURPOSE. Saint-Gobain Performance Plastics reserves the right to change product specifications without prior notice.

NOTE: Saint-Gobain Performance Plastics Corporation does not assume any responsibility or liability for any advice furnished by it, or for the performance or results of any installation or use of the product or of any final product into which the product may be incorporated by the purchaser and/or user.