

Furon® HPV Diaphragm Valve

Manually Actuated, 2-Way, Multi-Turn (3/16" & 1/4" Orifice)



Features/Benefits

- High pressure capability of up to 80 PSIG (552 kPa) where footprint reduction is a primary design constraint
- Over 3 turns from closed to full open for fine adjustments
- Injection molded high-purity PFA body with PTFE diaphragm
- Integral mounting base with top or bottom mount standard
- Panel mount feature is standard
- Leak detection port
- Semi F57 Compliant

Operation

- Multi-turn manually actuated 2 way diaphragm valve for precise controlled opening and shut-off

Applications

- Design for use in ultrapure deionized water and aggressive chemical applications
- Market applications include Semiconductor, Flat Panel, and Photovoltaic manufacturing; Chemical Processing and Biomedical industries

Furon® HPV Diaphragm Valve Manually Actuated, 2-Way, Multi-Turn

Ordering Information

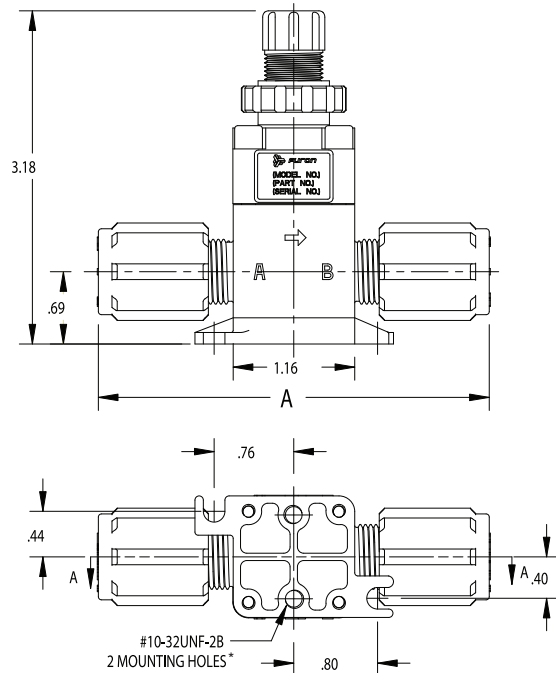
DESCRIPTION	END CONNECTION	ORIFICE	PORT SIZE	A
HPV2-744-MT	FUSEBOND™	1/4	1/4	1.66 (42mm)
HPV2-F34-MT	FLAREGRIP® II	3/16	1/4	3.51 (89mm)
HPV2-F46-MT	FLAREGRIP II	1/4	3/8	3.71 (94mm)
HPV2-S30044-MT*	PILLAR S300	3/16	1/4	2.56 (65mm)

HPV Multi-Turn

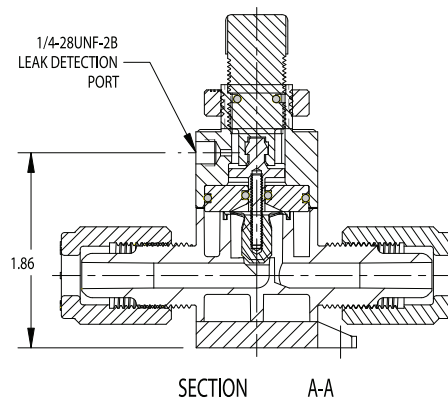
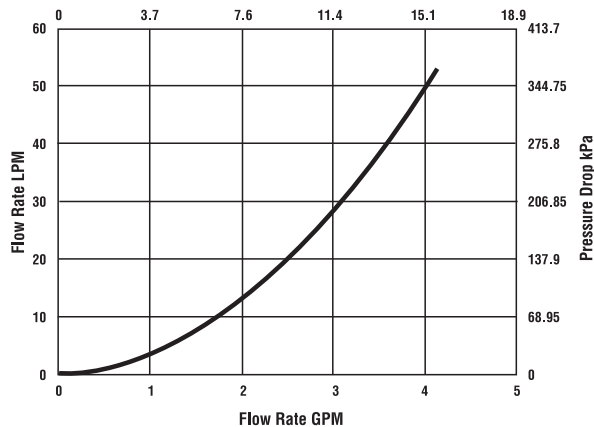
- HPV products are also available in 2-way pneumatic, quarter-turn and 3-way versions with common port heights
- Custom multi-valve manifold designs available to implement complex media flow path requirements where minimal footprint is critical

Specifications and Performance

- Maximum Operating Temperature: 176°F (80°C)
- Maximum Operating Pressure (Water): 80 PSIG (552 kPa)
- Vacuum: 25" Hg
- C_v Factor: Up to 0.80
- Body: High Purity PFA (*Virgin PTFE for Pillar S300 Valve)
- Diaphragm: Modified PTFE
- Actuator Housing: Polypropylene



HPVM2-F46 Flow Vs. Pressure Drop
Flow Rate LPM



For panel mounting use Ø 3/4" mounting hole, 1/4" maximum panel thickness.

Saint-Gobain Performance Plastics-USA

7301 Orangewood Avenue
Garden Grove, CA 92841-1411
Tel: (714) 630-5818
Fax: (714) 688-2614
USA Toll Free: (800) 833-5661

Saint-Gobain Performance Plastics-France

41 Boulevard des Bouvets
Nanterre F-92000, France
Tel: 33/(0) 1 55 68 59 59
Fax: 33/(0) 1 55 68 59 68



Furon® is a registered trademark.
FlareGrip® is a registered trademark.
FuseBond™ is a trademark.

12-month Limited Warranty: For a period of 12 months from the date of first sale, Saint-Gobain Performance Plastics Corporation warrants this product to be free from defects in manufacturing. This company's only obligation will be to provide replacement product for any material proven to have such a defect, or at SGPPL's option, to refund the purchase price thereof. User assumes all other risks, if any, including the risk of injury, loss or damage, whether direct, consequential or incidental, arising out of the use, misuse, or inability to use this product. SAINT-GOBAIN PERFORMANCE PLASTICS DISCLAIMS ALL IMPLIED WARRANTIES OF MERCHANTABILITY AND FITNESS FOR A PARTICULAR PURPOSE. Saint-Gobain Performance Plastics reserves the right to change product specifications without prior notice.

NOTE: Saint-Gobain Performance Plastics Corporation does not assume any responsibility or liability for any advice furnished by it, or for the performance or results of any installation or use of the product or of any final product into which the product may be incorporated by the purchaser and/or user.