

FEATURES/BENEFITS

- High pressure capability of up to 80 PSIG (552 kPa) where footprint reduction is a primary design constraint
- Reduced footprint
- Uniform modular design permits valve to be suited for customized manifold configurations
- Customized manifold design with replaceable valves (option)

FURON® HPV DIAPHRAGM VALVE

Pneumatically Actuated 2-Way or 3-Way



OPERATION

- Pneumatically actuated diaphragm valve available in 2 or 3-way configurations

APPLICATIONS

- Design for use in ultrapure media application
- Applications include Semiconductor manufacturing, Chemical Processing and Biomedical industries

FURON® HPV DIAPHRAGM VALVE

Pneumatically Actuated 2-Way or 3-Way

ORDERING INFORMATION

PART NO.	END CONNECTION	ORIFICE SIZE	PORT SIZE	A	B	C	D	E	F
HPV2-144NC	FNPT	3/16	1/4	2.05 (52.07mm)	.69 (17.53mm)	2.14 (54.36mm)	1.12 (28.45mm)	.80 (20.32mm)	—
HPV3-144	FNPT	3/16	1/4	2.05 (52.07mm)	.69 (17.53mm)	2.14 (54.36mm)	1.12 (28.45mm)	.80 (20.32mm)	1.58 (40.13mm)

STANDARD OPTIONS

- Standard Options are readily available with slightly longer lead times.
- Please contact your local distributor or factory for part number, price and delivery.

NON-STANDARD OPTIONS

- Multi-valve custom manifold designs available to implement complex media flow path requirements where space is a primary constraint.
- Custom End Connections available.
- Non-Standard Options and custom configurations are welcome.
- Please consult factory for part number, price and delivery.

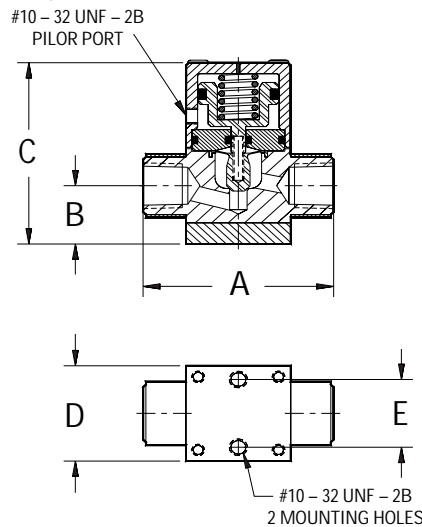
SPECIFICATIONS AND PERFORMANCE

- Maximum Operating Temperature: 176°F (80°C)
- Actuator Pressure (Air): 50 PSIG (345 kPa) to 100 PSIG (689 kPa)
- Maximum Operating Pressure (Water): 80 PSIG (552 kPa)
- Vacuum: 25" Hg
- C_v Factor: 0.50

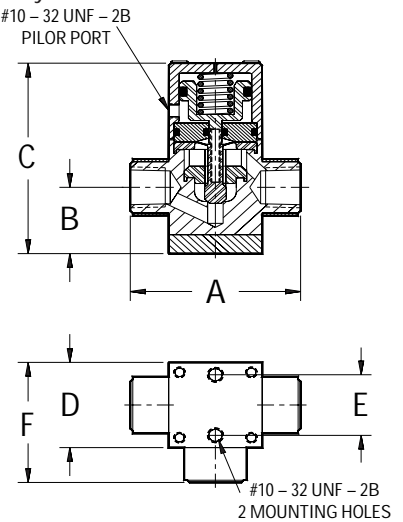
NOTES

** Actual lab data of HPV3-144 with 38" Flare Grip® connections.

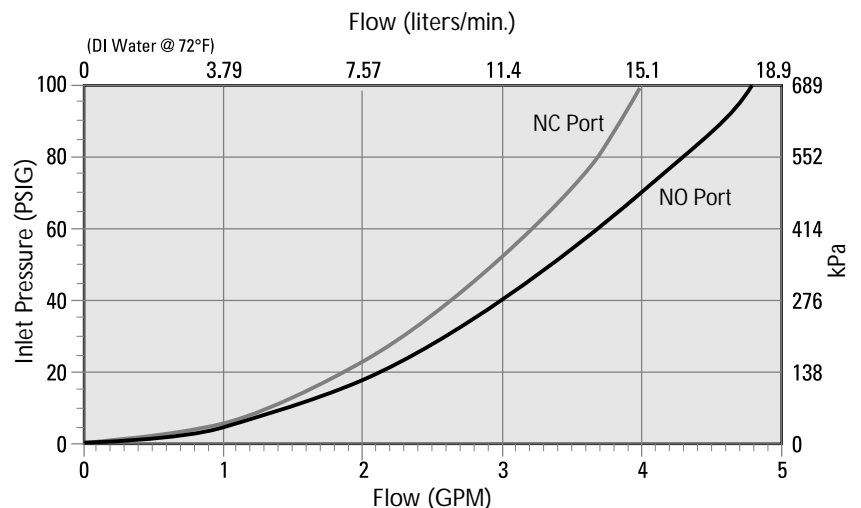
2-Way



3-Way



Inlet Pressure vs Flow**



SAINT-GOBAIN PERFORMANCE PLASTICS

7301 Orangewood Avenue
Garden Grove, CA 92841-1411
Phone: (714) 630-5818
Fax: (714) 688-2614
USA Toll Free: (800) 833-5661

Furon® is a registered trademark.
Flare Grip® is a registered trademark.
Grab Seal™ is a trademark.



12-month **Limited Warranty:** For a period of 12 months from the date of first sale, Saint-Gobain Performance Plastics Corporation warrants this product to be free from defects in manufacturing. This company's only obligation will be to provide replacement product for any material proven to have such a defect, or at SGPL's option, to refund the purchase price thereof. User assumes all other risks, if any including the risk of injury, loss or damage, whether direct, consequential or incidental, arising out of the use, misuse, or inability to use this product. SAINT-GOBAIN PERFORMANCE PLASTICS DISCLAIMS ALL IMPLIED WARRANTIES OF MERCHANTABILITY AND FITNESS FOR A PARTICULAR PURPOSE.

NOTE: Saint-Gobain Performance Plastics Corporation does not assume any responsibility or liability for any advice furnished by it, or for the performance or results of any installation or use of the product or of any final product into which the product may be incorporated by the purchaser and/or user.