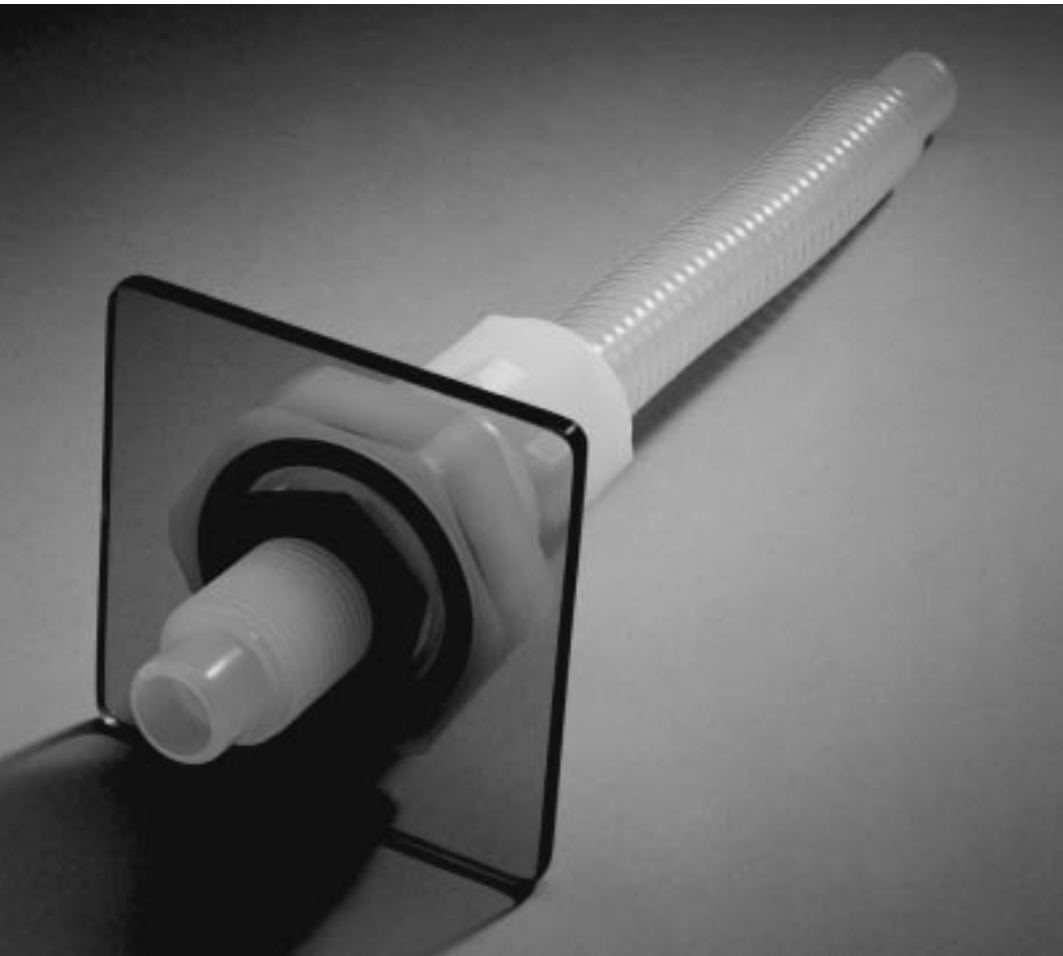


Furon® Dual Containment Flare Fitting Front Seal Bulkhead



Features/Benefits

- Chemically inert, all high purity PFA wetted parts
- ConvoFlex™ FEP/PFA tubing as secondary containment
- Annular space may be used for media temperature control
- Primary containment pressure up to 150 PSIG at ambient
- Patent pending

Operation

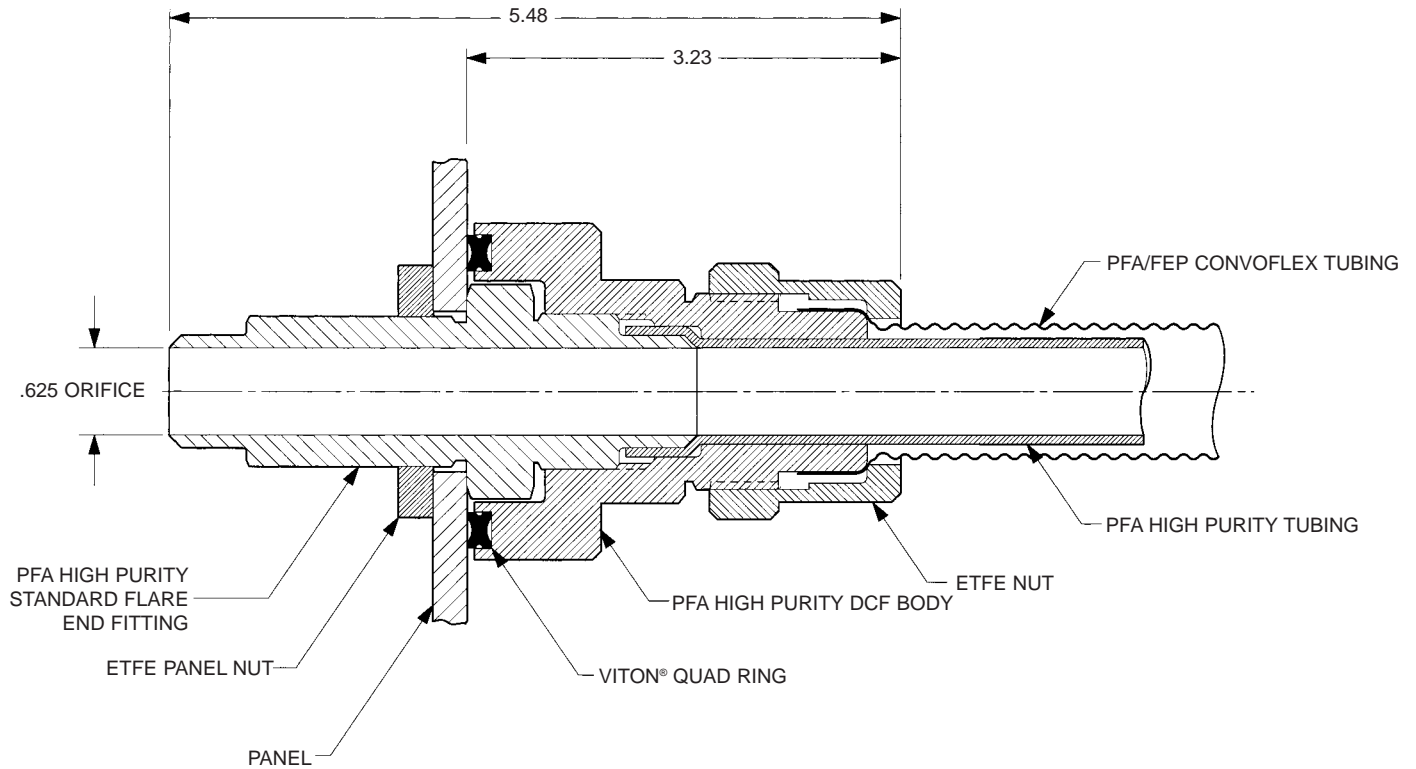
Utilizing proven Flare Grip® technology, the Dual Containment Flare Fitting (DCF) transforms standard Flare Grip fittings to FEP/PFA over PFA dual containment fittings. This ensures true dual containment throughout the chemical delivery system. The DCF can mate with chemical delivery systems, wet tools, valve boxes, individual components, and drain lines.

Applications

The Furon DCF Front Seal version provides complete dual containment to the face of the bulkhead without requiring the user to access internal components of the process tool thereby eliminating potential warranty issues. The FEP/PFA over PFA construction allows maximum personal safety, performance and environmental protection in any media application and is ideal for compliance with state and local environmental legislation.

Furon® Dual Containment Flare Fitting Front Seal Bulkhead

Dimensions



Specifications

- Maximum Pressure: 150 PSIG at ambient temperature
- Maximum Temperature: 130° C
- DCF Adapter: High purity PFA
- Inner Wetted Line: High purity PFA
- Outer Containment Line: FEP or PFA
- Flare Grip Nut: ETFE

Ordering Information

- Part Number
DCFM-F-1216
- Description
Front Seal Bulkhead 3/4" x 1"

Note:

Leak detection is possible utilizing Furon's electronic leak detection and the union tee adapter. Consult factory for more information

Saint-Gobain Performance Plastics-USA

7301 Orangewood Avenue
Garden Grove, CA 92841-1411
Tel: (714) 630-5818
Fax: (714) 688-2614
USA Toll Free: (800) 833-5661

France

Tel: 33/(0) 1 55 68 59 59
Fax: 33/(0) 1 55 68 59 68

Japan

Tel: 81/(0) 2 6679 6400
Fax: 81/(0) 2 6670 1001



Furon® is a registered trademark.
Flare Grip® is a registered trademark.
ConvoFlex™ is a trademark.
Viton® is a registered trademark of
DuPont Dow Elastomers L.L.C.

12-month Limited Warranty: For a period of 12 months from the date of first sale, Saint-Gobain Performance Plastics Corporation warrants this product to be free from defects in manufacturing. This company's only obligation will be to provide replacement product for any material proven to have such a defect, or at SGPL's option, to refund the purchase price thereof. User assumes all other risks, if any including the risk of injury, loss or damage, whether direct, consequential or incidental, arising out of the use, misuse, or inability to use this product. SAINT-GOBAIN PERFORMANCE PLASTICS DISCLAIMS ALL IMPLIED WARRANTIES OF MERCHANTABILITY AND FITNESS FOR A PARTICULAR PURPOSE.

NOTE: Saint-Gobain Performance Plastics Corporation does not assume any responsibility or liability for any advice furnished by it, or for the performance or results of any installation or use of the product or of any final product into which the product may be incorporated by the purchaser and/or user.