

# DI BANDIT™ VALVE

A Furon Product

*Pneumatically  
Actuated,  
2-Way  
(1/2" Orifice)*

## *Features and Benefits*

- *All wetted parts are virgin PTFE/polypropylene*
- *No elastomers, lubricants or O-ring in media path*
- *Corrosion resistant design*
- *High flow capability*
- *Minimal pressure drop through valve*
- *Restricted open, restricted close, and restricted both are available as options*



## *Operation*

- Pneumatically actuated
- Operated by 40 - 80 PSIG (276 - 552 kPa) air signal pressure
- Throttling is achieved by selecting the restricted open option
- DI-bypass flow is achieved by selecting the restricted close option

## *Applications*

- Use for DI water and non-aggressive ultrapure solutions
- DI water 2-way shut-off valve for DI water applications

# DI BANDIT™ VALVE

A Furon Product

Pneumatically Actuated, 2-Way

## Ordering Information

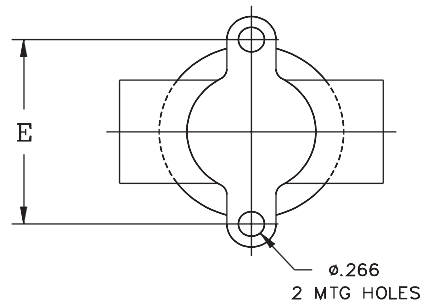
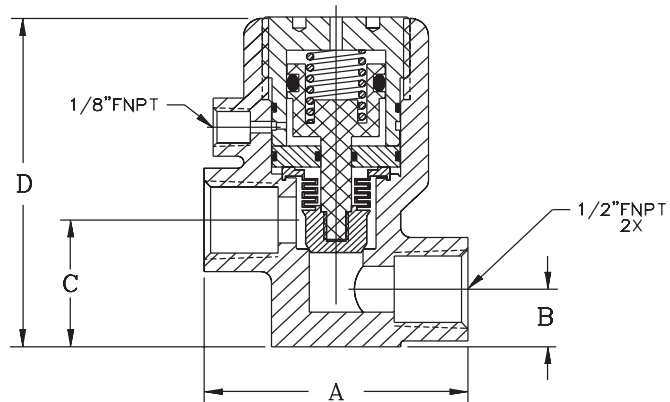
PART NO.	END CONNECTION	ORIFICE	PORT SIZE	POSITION	A	B	C	D	E
DIB-POL-8PC	FNPT	1/2	1/2	NC	2.68 (68.1mm)	.62 (15.7mm)	1.37 (34.8mm)	3.56 (90.4mm)	2.00 (50.8mm)

### Standard Options

De-Energized Position: Normally Open  
 Standard Options are readily available with slightly longer lead times.  
 Please contact your local distributor or factory for part number, price and delivery.

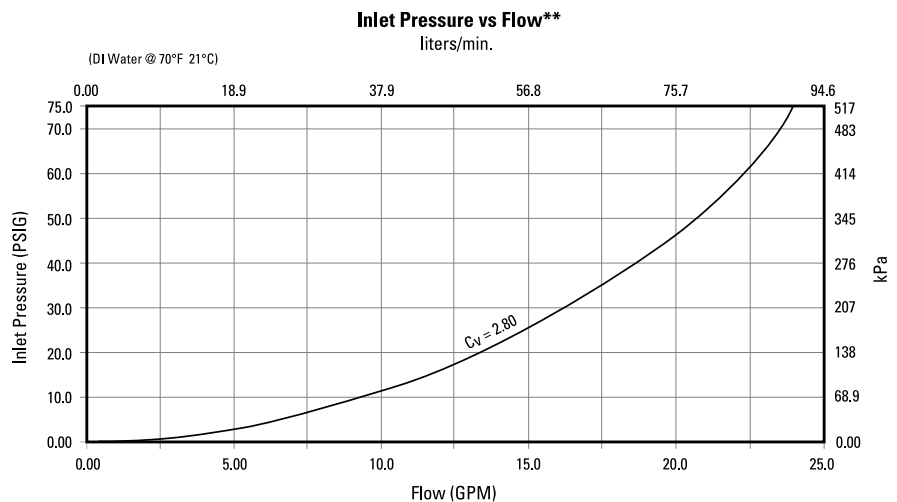
### Non-Standard Options

Restricted Open (REO).  
 Restricted Closed (REC).  
 Restricted Both (REB).  
 Non-Standard Options and custom configurations are welcome.  
 Please consult factory for part number, price and delivery.



## Specifications and Performance

- Maximum Media Operating Temperature: 176°F (80°C)
- Maximum Media Pressure : 75 PSIG (517 kPa) @ Room Temperature
- Actuator Pressure: 40 PSIG to 80 PSIG (276 kPa to 552 kPa) @ Room Temperature



## Notes

\*\* Calculated performance data.

USA Toll Free: 1.800.833.5661

7301 Oranewood Avenue  
 Garden Grove, CA 92841-1411  
 Phone: 714.630.5818  
 Fax: 714.688.2614

Specifications subject to change without notice.  
 ©1996  
 FC 7035 Printed in U.S.A.

**SAINT-GOBAIN**  
 PERFORMANCE PLASTICS